



## So finden Sie Ihr gewünschtes Ersatzteil / Zubehör:

In dieser Ersatzteilliste finden Sie die Artikelnummer Ihres gesuchten Produkts. **Bitte geben Sie diese Artikelnummer in das „Suche“-Feld unseres Shops ein.**

Als Ergebnis wird Ihnen der Artikel mit Preis angezeigt und Sie können diesen bei Gefallen in den Warenkorb legen.

Sollten Sie das gesuchte Zubehör oder Ersatzteil nicht finden, helfen wir Ihnen gerne weiter.

Rufen Sie uns einfach an. Halten Sie bitte den Maschinentyp und das exakte Baujahr des Gerätes bereit:

**Tel.: +49 (0) 7303 901 980**

Robe Reinigungsmaschinen GmbH



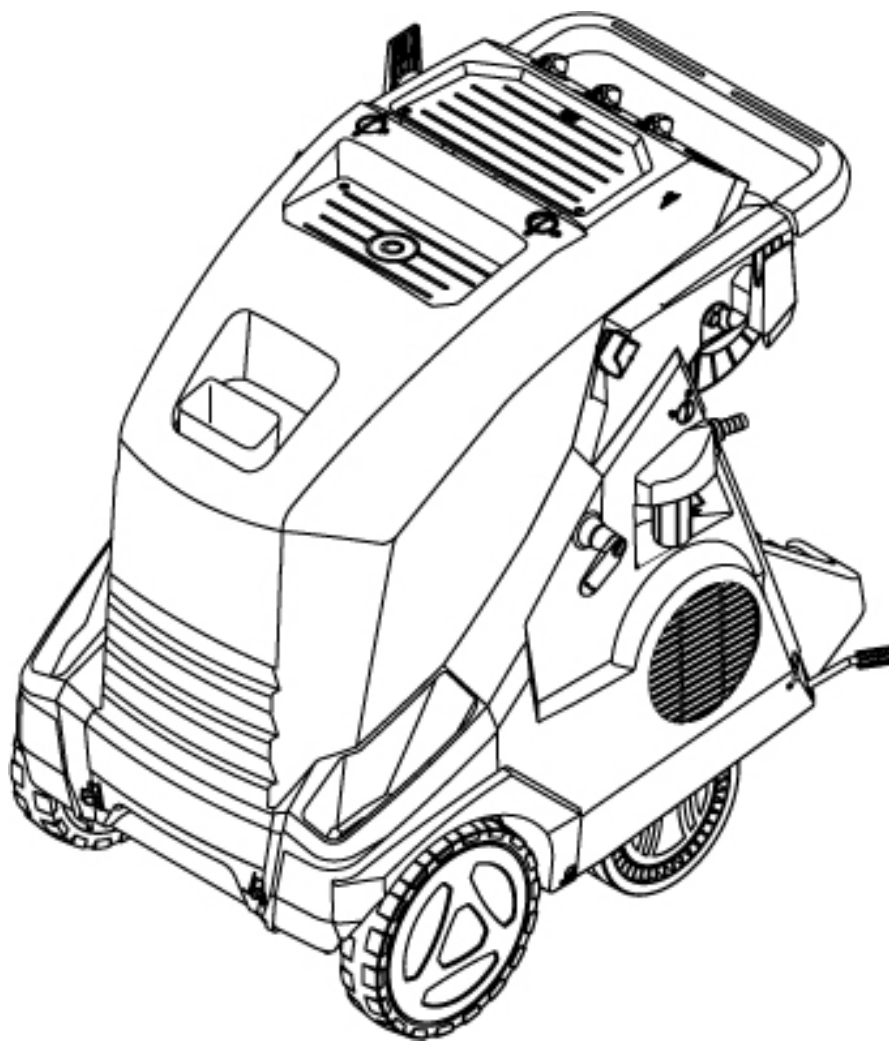
**Hotline: 0 73 03 / 901 980**

Zur Aumühle 36 | 89257 Illertissen  
Tel.: 0 73 03 / 901 980 | Fax 0 73 03 / 901 981 8  
info@wap-nilfisk-alto-shop.de

**[www.wap-nilfisk-alto-shop.de](http://www.wap-nilfisk-alto-shop.de)**

**Weiterblättern zur Ersatzteilliste →**

# PARTS LIST



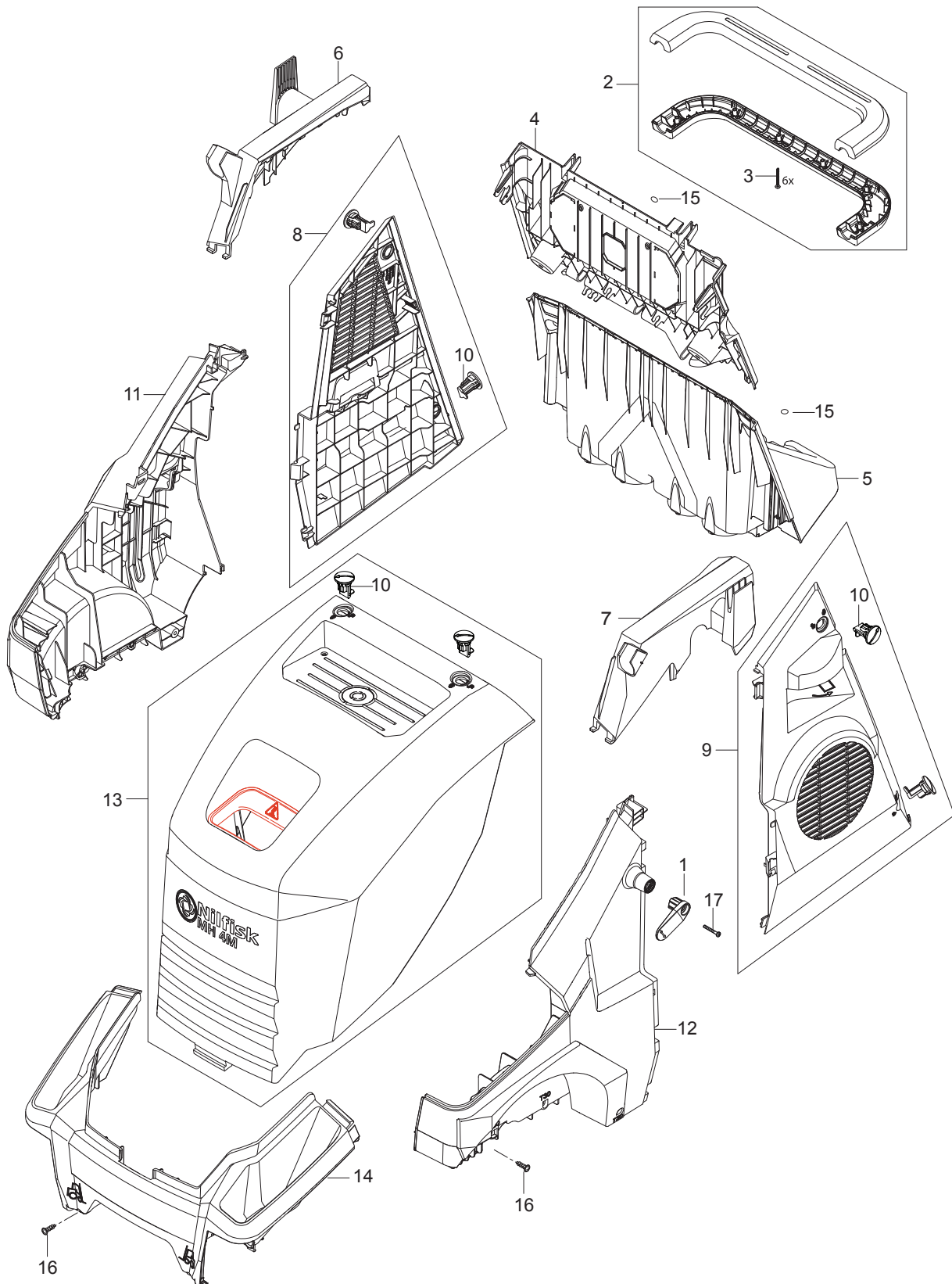
2024.08.21

# NILFISK

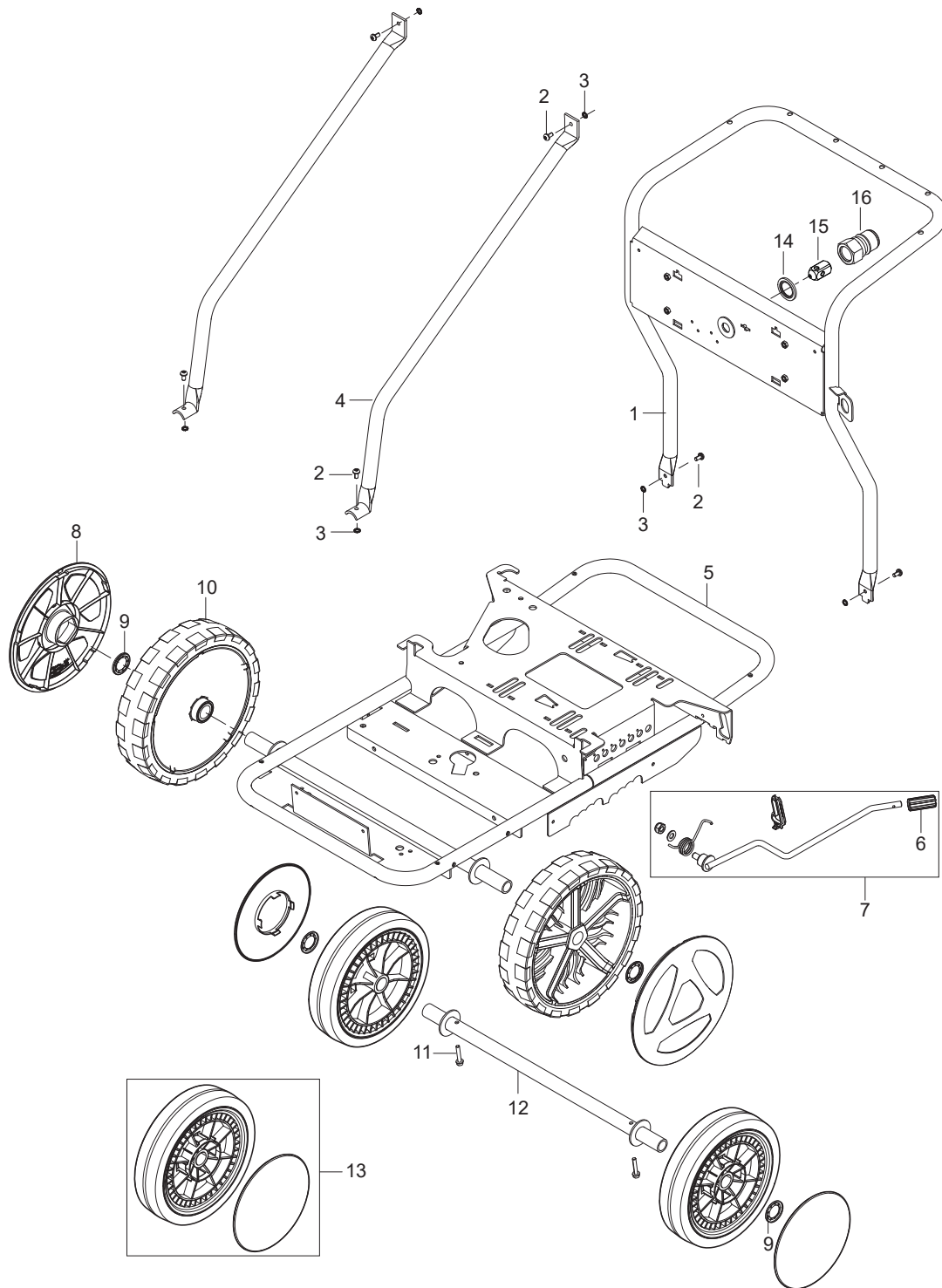
# TABLE OF CONTENTS

---

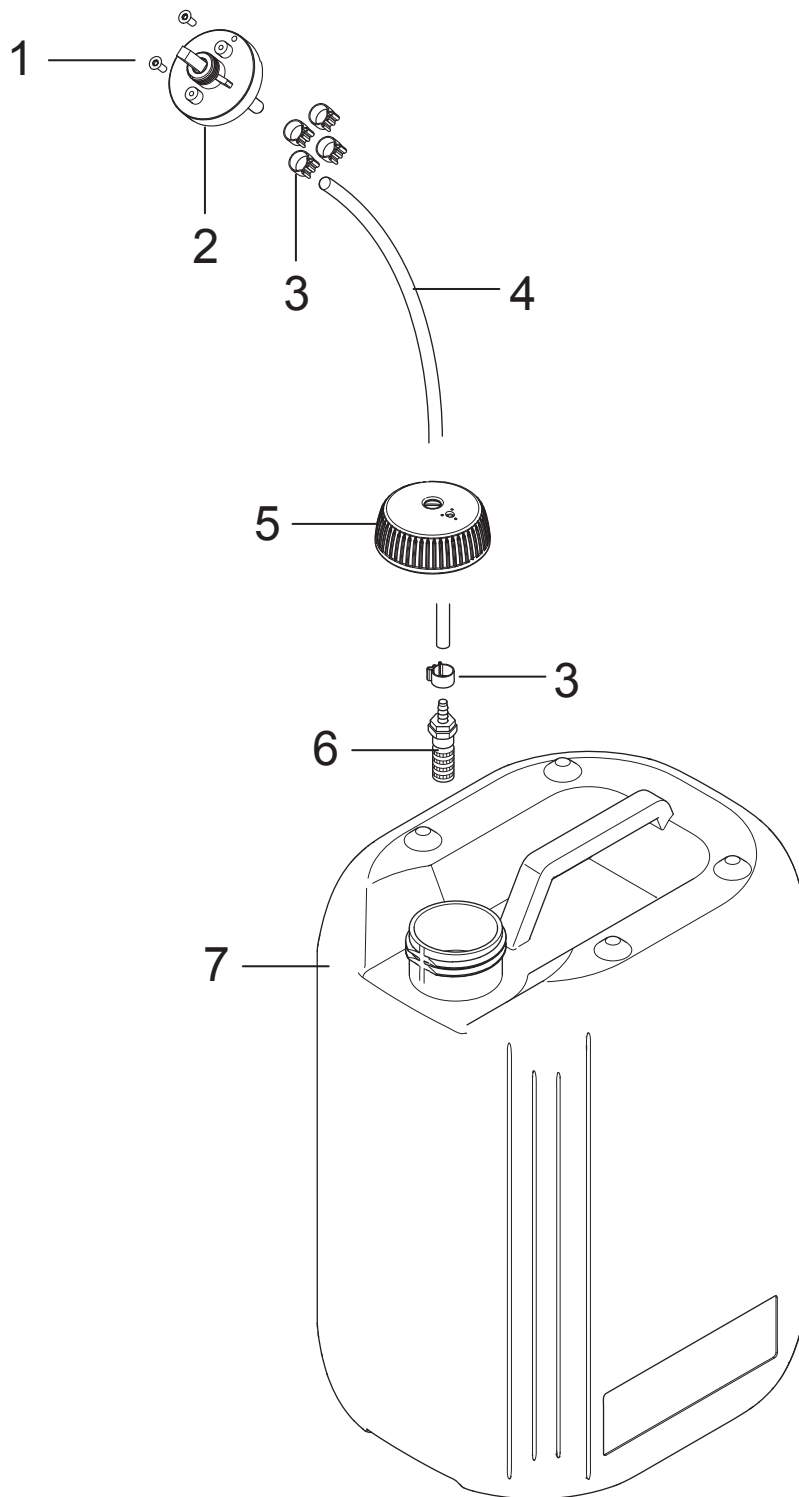
Cabinet.....	1
Chassis.....	3
1x detergent.....	5
Anti-scale.....	7
Burner unit.....	9
Boiler b2.5.....	11
Cables and wires.....	13
Cylinder block.....	15
Electric box.....	18
Electric box for motor 1~,3~ STAR and 3~ DELTA.....	21
Fan.....	23
Flow control PA_ w manometer.....	25
Fuel tank.....	27
Hose reel.....	29
Motor pump.....	31
Water break tank.....	34
Unloader_PA.....	36
Water inlet_PA.....	38
Recommended spare parts.....	40



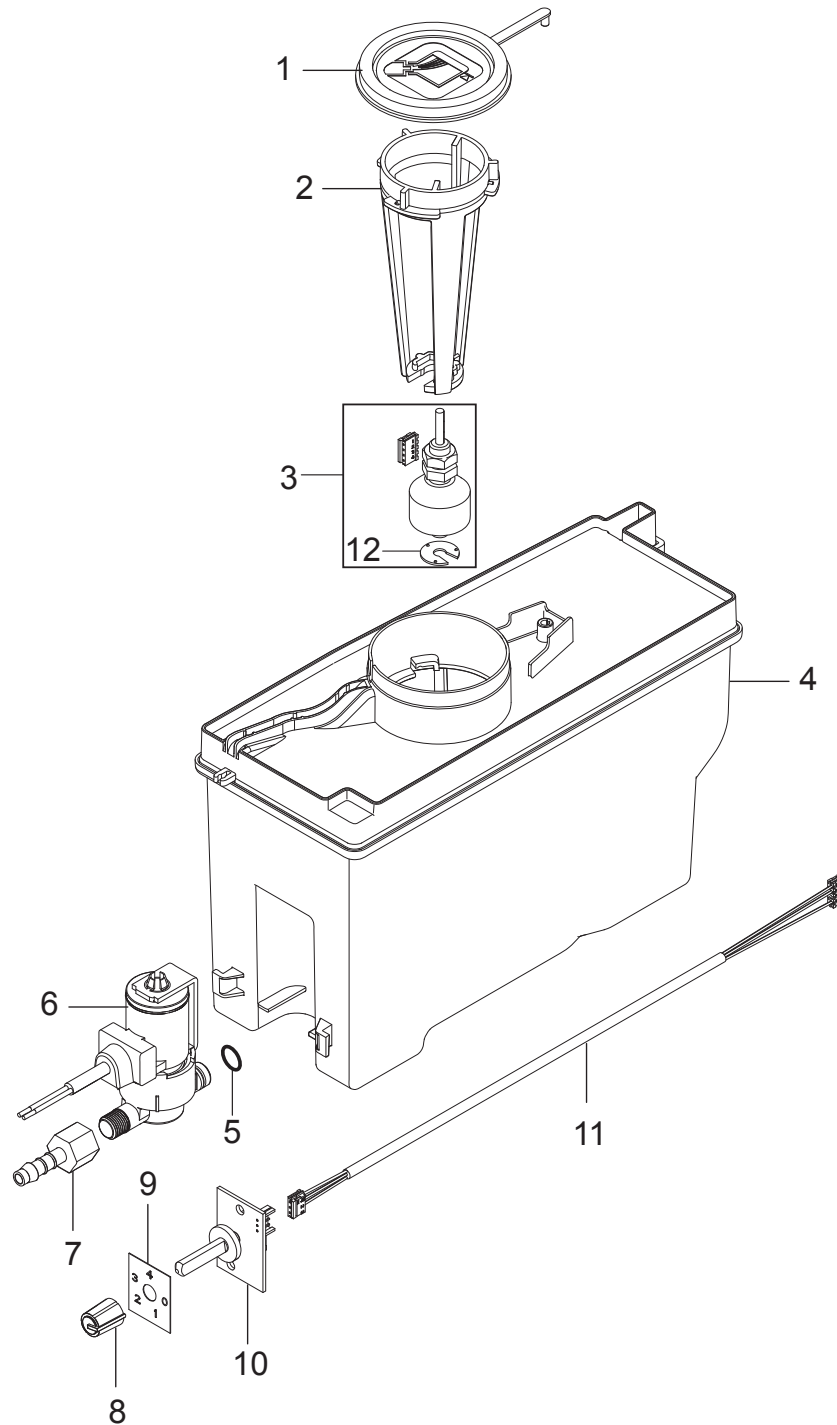
Pos.	Artikel-Nr.	Menge	Variante	Notes
1	107143025	1	CABLE HOOK CLAMP BLUE	
2	101118192	1	HANDLE KIT	
3	909100148	6	Ejotschraube K40x30 WN 14	
4	107143013	1	REAR END TOP	
5	107143014	1	REAR END BOTTOM	
6	107143021	1	COVERING FOR HANDLE RIGHT	
7	107143022	1	COVERING FOR HANDLE LEFT	
8	107143023	1	DOOR W/LOCKS MPU NA5-NA6 RIGHT	
9	107143019	1	DOOR LEFT W/LOCKS	
10	301001261	6	Verriegelung	
11	107143012	1	SIDE BUMPER SMALL RIGHT	
12	107143011	1	SIDE BUMPER SMALL LEFT	
13	101118194	1	CABINET MH 4M NILFISK KIT	
14	107143015	1	FRONT BUMPER	
15	107143009	6	BLIND PLUG D16.5 FOR T30 BLACK PE	
16	107143018	12	SCREW M6X16	
17	107141838	7	SCHRAUBE K50X18 WN1451 SCHWARZ TORX 20	



Pos.	Artikel-Nr.	Menge	Variante	Notes
1	31001031	1	FRAME HANDLE	
2	107143018	6	SCREW M6X16	
3	107143146	6	WASHER SERRATED M6	
4	31001032	2	HANDLE STIFFENER SHORT	
5	31001033	1	FRAME SHORT	
6	107143028	1	BRAKE KNOB	
7	101118180	1	BRAKE ARM SHORT KIT	
8	107145780	2	RADKAPPE FUER RAD Ø300X65	
9	46363	4	Klemmscheibe	
10	107145637	2	RAD D300X65 (STARCO)	
11	107143027	2	SCREW M6X35 SW10 DIN7500D FZB	
12	31001034	1	WHEEL AXLE REAR	
13	107143304	2	Rad D250 mit Abdeckung	
14	1801075	1	Dichtring	
15	107143066	1	PISTON	
16	1600493	1	Anschlussstück	



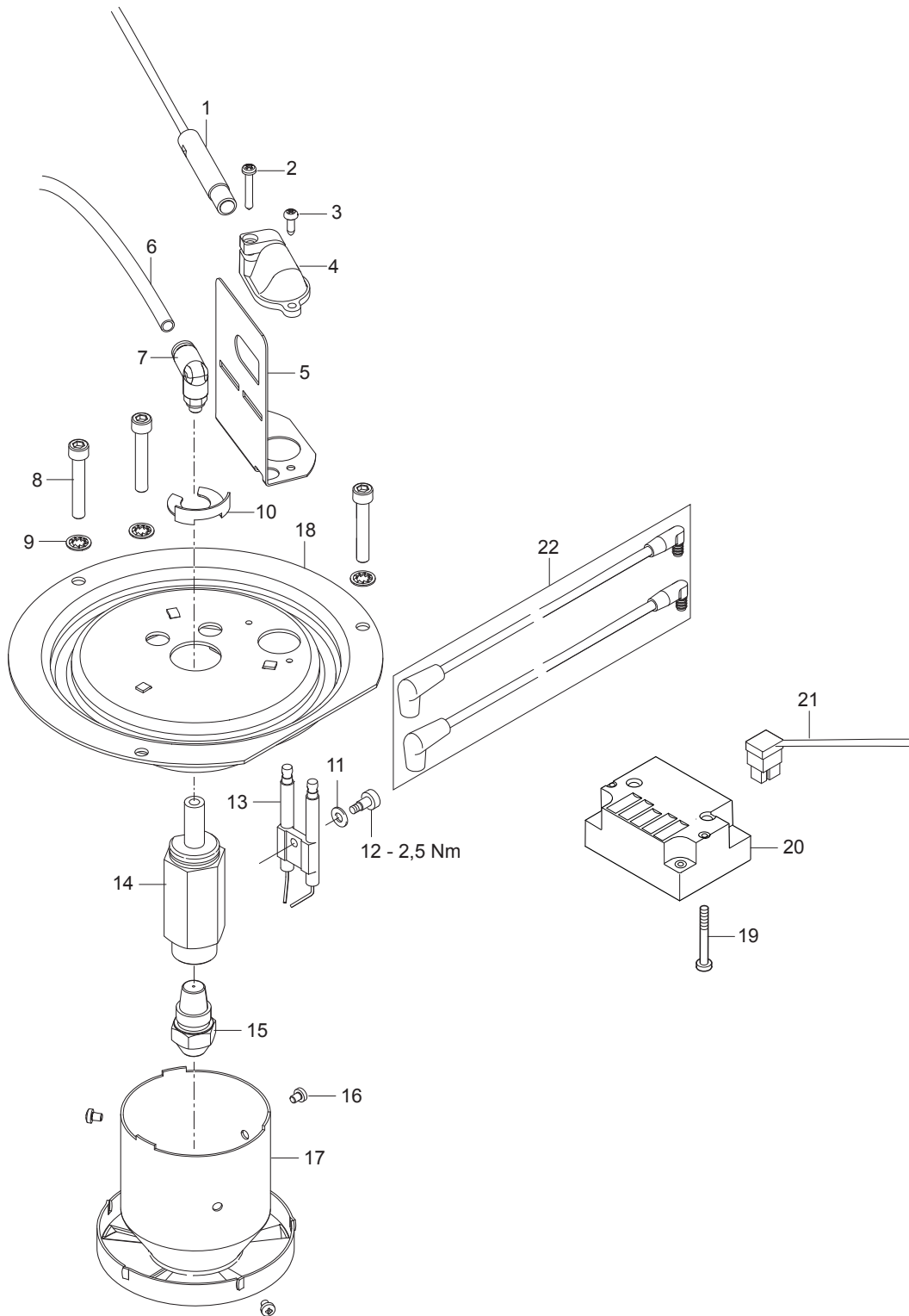
Pos.	Artikel-Nr.	Menge	Variante	Notes
1	1814730	2	Schraube 3,5x10	
2	301001000	1	Ventil	
3	301001133	8	Schlauchklemme 10/7	
4	106408243	1	HOSE 1/4INCH TRANSPARENT - 5 METERS	
5	107141664	2	Deckel	
6	107145440	2	Sieb Ventil Komplettsset	
7	80518	1	Behälter	



Pos.	Artikel-Nr.	Menge	Variante	Notes
1	45646	1	Deckel	
2	107143040	1	LEVELSENSOR BRACKET FOR ANTISCALE	
3	101118214	1	FLOAT SWITCH KIT	
4	107143041	1	ANTISCALE TANK CPL.	
5	31001036	1	O-RING 6X2 NBR 70SH	
6	107143037	1	DOSING VALVE RPE 24VAC	
7	107143036	1	HOSE FITTING D6X1/8 PA	
8	107318222	1	PUSH-ON KNOB 11MM/6MMD/WH	
9	107143042	1	LABEL FOR ANTISCALE	
10	101117780	1	PCB FOR POTENTIONMETER	
11	107143038	1	CABLE FOR ADJUSTMENT ANTI SCALE	
12	107142593	1	HOLDING WASHER PE	[1]

Part Notes:

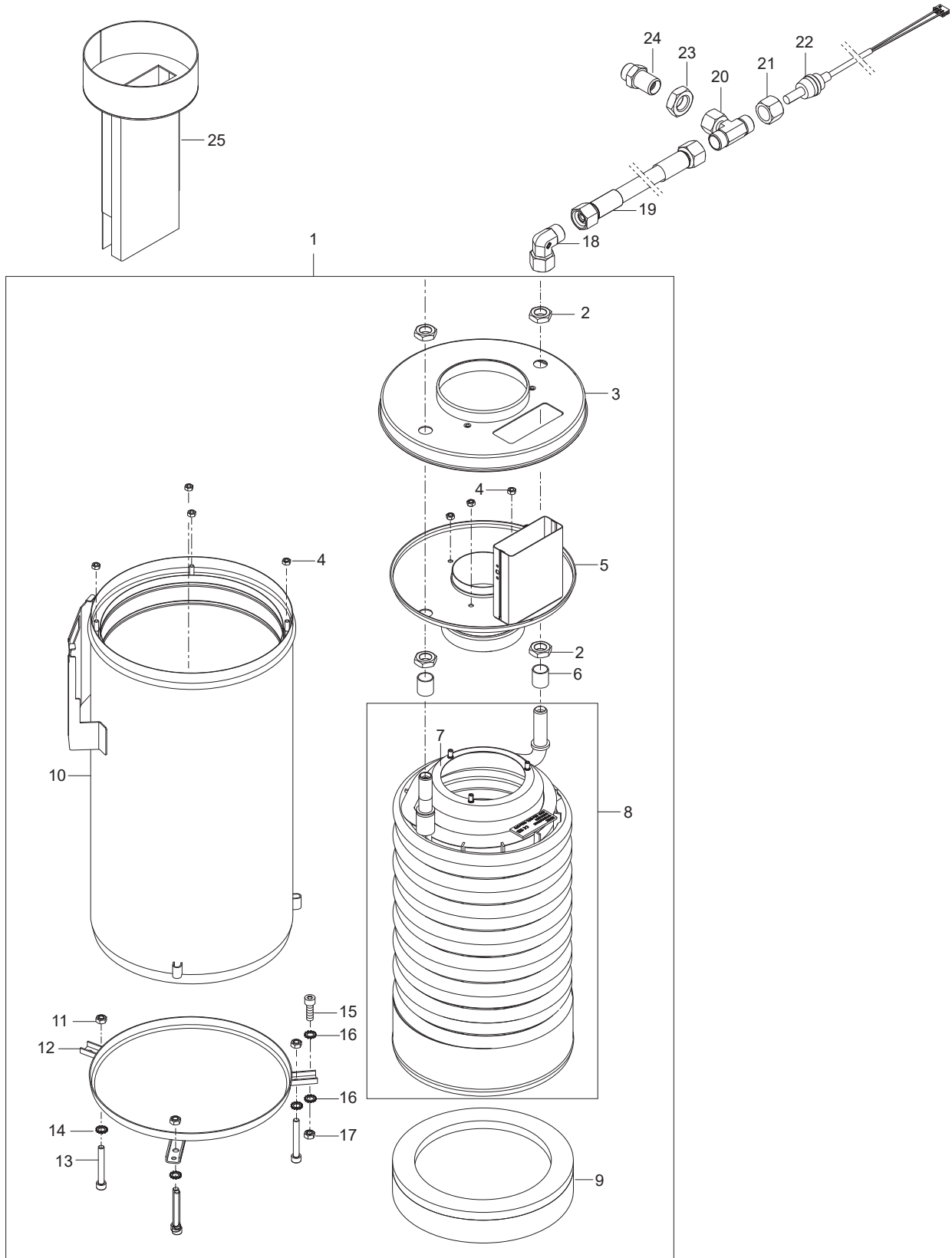
- [1] - TSB-PPW-2016-017 Locking ring for oil level switch falling off



Pos.	Artikel-Nr.	Menge	Variante	Notes
1	107143100	1	FLAME SENSOR WITH CABLE	
2	5606	1	Blechschaube 2,9x19	
3	4036	1	Blechschaube 2,9x9,5	
4	301000934	1	Halter	
5	107143101	1	SHIELD FOR FLAME SENSOR	
6	909100141	1	Brennstoffleitung 4x1 mm x 1 m	
7	101117913	1	Winkerverschraubung	
8	3873	3	Schraube M5x30	
9	3376	3	Fächerscheibe 5,3 -A- DIN 6798 VA	
10	101117876	1	Sicherungsring	
11	909100144	1	Federscheibe B5	
12	909100143	1	Schraube M4x4,5	
13	301150009	1	Elektrode	
14	101117915	1	Düsenstock	
15	61659	1	Düse 1.25 GAL 60°	[1]
16	51848	3	Linsenschraube M3x 4 DIN 7985 zn	
17	107143102	1	AIR DISTRIBUTOR CPL.	
17	107145775	1	AIR DISTRIBUTOR Ø 77.5	[2]
18	101117757	1	Abdeckung Brenner komplet	
19	909100149	2	Ejotschraube K50x50 WN 14	
20	101117759	1	Zündtransformator 220-240	[3]
20	101117959	1	COFI TRH2-30CU VD 120V 50/60HZ	[4]
21	107143098	1	PRIMARY CABLE FOR IGNITION COIL	
22	101118220	1	2 X IGNITION CORDS KIT	

Part Notes:

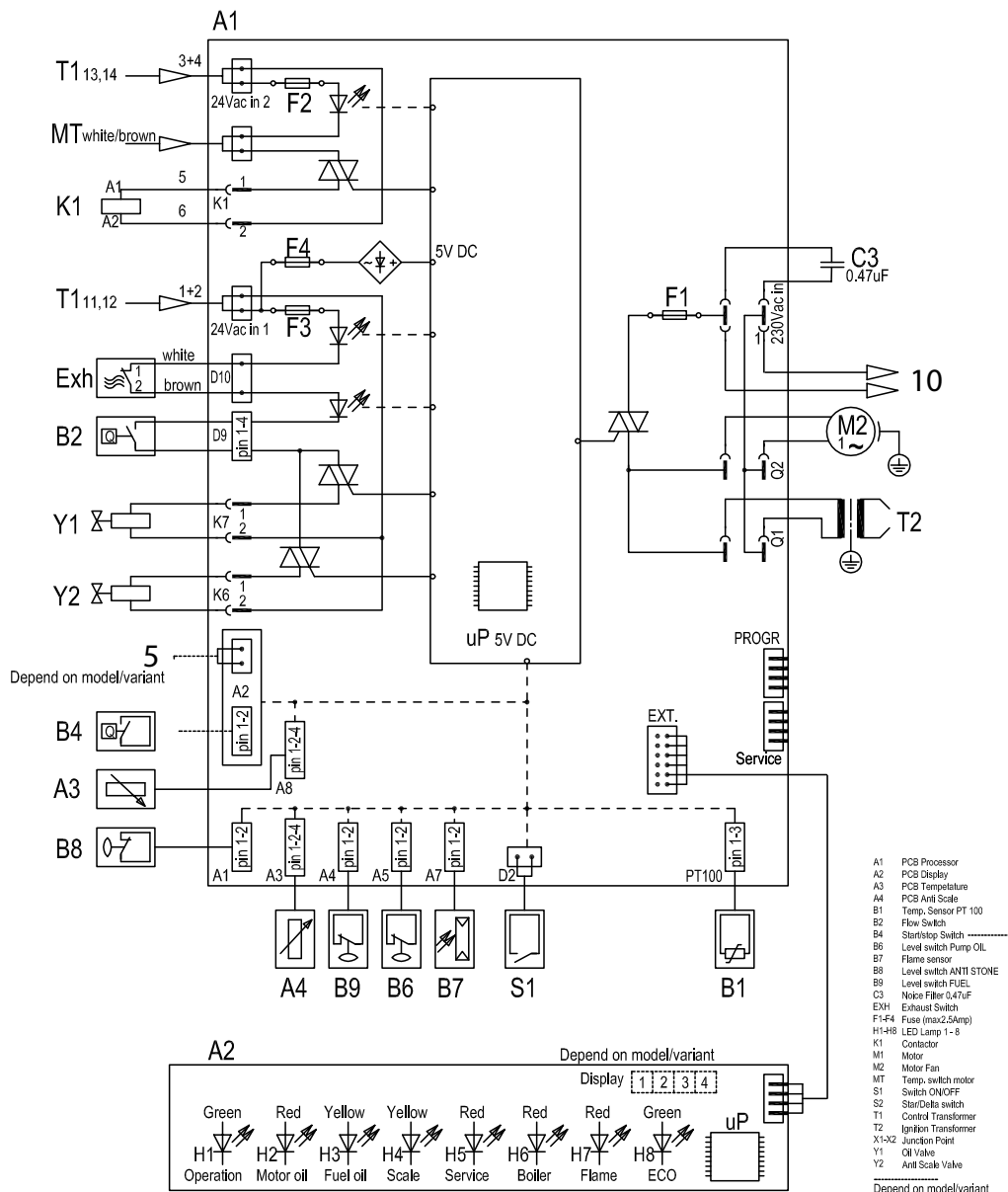
- [1] - 70kW  
MH 4M: Machine no. 107146910, 107146911, 107146912, 107146913, 107146914, 107146916, 107146917, 107146918, 107146919, 107146920, 107146921, 107146922, 107146923, 107146924, 107146934, 107146938, 107146940
- [2] - to be used on B2.5 where the location is higher than 1000m above see level
- [3] - TSB-PPW-2018-004 Boiler cannot start - no ignition  
FR TSB-PPW-2018-004 Le bruleur ne démarre plus  
DE TSB-PPW-2018-004 Brenner startet nicht - keine Zündung
- [4] - US



Pos.	Artikel-Nr.	Menge	Variante	Notes
1	107143103	1	HEAT EXCHANGER B2.5, MH	
1	107143105	1	HEAT EXCHANGER B2.5 SS, MH	
2	7012	4	Mutter 6kt M18x1,5	
3	101117768	1	Brennerdeckel au en	
4	12263	4	Sechskantmutter M6	
5	31001040	1	INSIDE BOILER TOP CPL B2.5	
6	301000582	2	Hülse	
7	31000527	1	Abschirmkegel FÜR KESSEL	
8	31001041	1	COIL WELDED B2.5	
8	107143302	1	COIL B2.5 SS, MH	[1]
9	31001042	1	INSULATION B2.5	
10	31001043	1	BOILER JACKET B2.5	
11	2758	3	Sechskantmutter M8 DIN 934 zn	
12	31001044	1	BOTTOM PLATE WELDED B2/2.5	
13	3453	3	Sechskantschraube M8x60	
14	1810274	3	Fächerscheibe 8,2 -J- DIN 6798 VA	
15	4697	3	Zylinderschraube M6x16	
16	107143146	6	WASHER SERRATED M6	
17	11619	3	Sechskantmutter M6 ISO7042 A2K	
18	101118094	1	Kupplungssatz 90D ISO	
19	107143067	1	HP HOSE 5/16 DN8 BLACK W/2X DKL	
20	101118093	1	Verbindungsstück	
21	1081	1	Überwurfmutter DIN 3870-A L 12 St/zn	
22	107143083	1	TEMPERATUR SENSOR PT100 W/CABLE	
23	1803220	1	Mutter M18x1,5 I	
24	107143082	1	OUTLET FITTING	
25	106403197	1	CHIMNEY ADAPTOR B2/B2.5 ACCESSORY	

Part Notes:

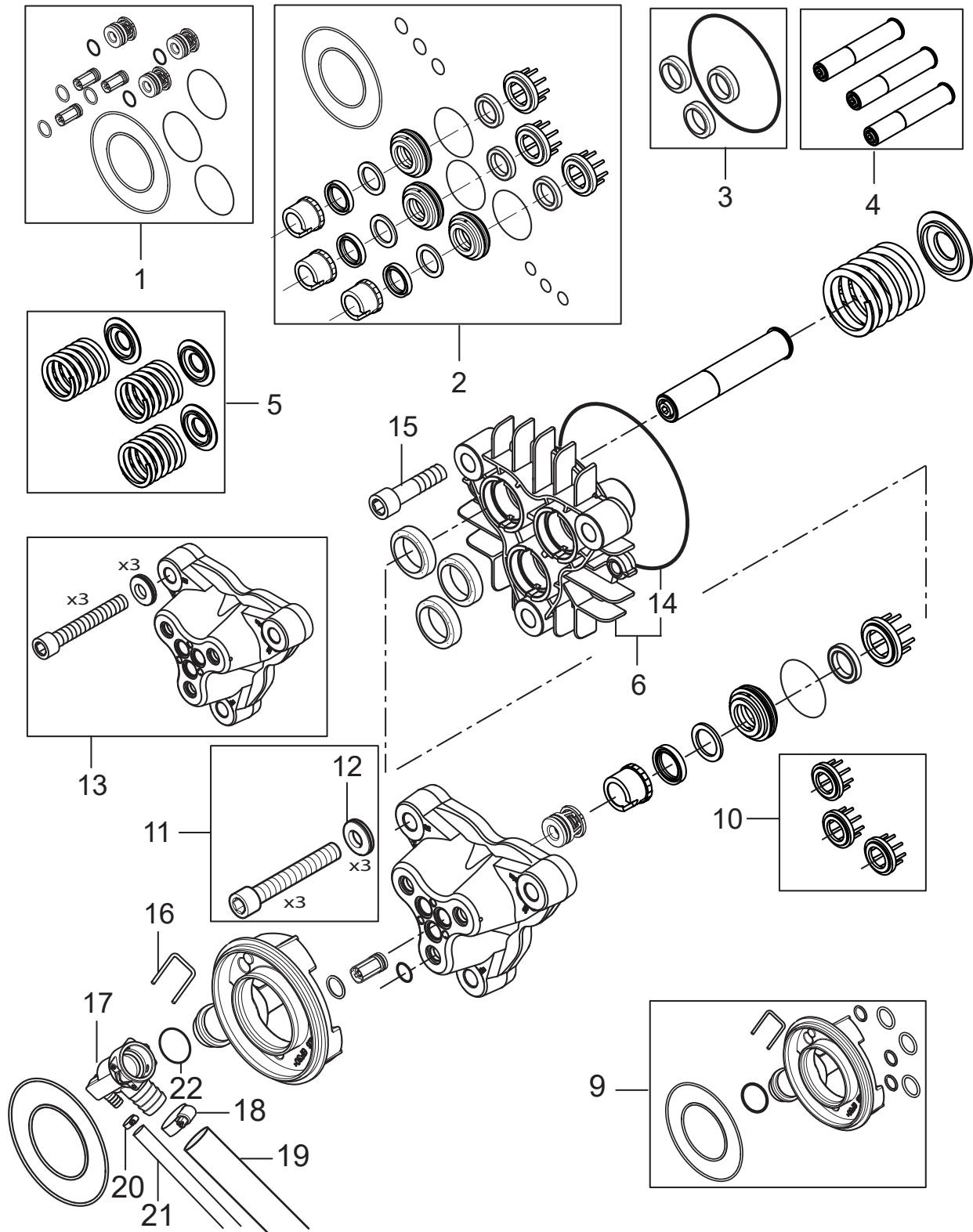
[1] - TSB-PPW-2017-011 Stainless Steel heat exchangers new stay material and new spare part numbers



Pos.	Artikel-Nr.	Menge	Variante	Notes
T1	107143052	2	CABLE FOR POWER TRANSFORMER SEC 6X0.75	
MT	107143070	1	CABLE FOR MT	[1]
MT	107143057	1	CABLE FOR RELAY	[2]
MT	107143081	1	CABLE FOR MT MH3	[3]
K1	107143052	1	CABLE FOR POWER TRANSFORMER SEC 6X0.75	
Exh	107143055	1	CABLE FOR HOT WATER MODE AND EXH. SWITCH	
B2	107143121	2	REED SWITCH NO W/CABLE	
Y1	107143095	1	CABLE FOR SOLENOID VALVE 2X0.5	
Y2	107143037	1	DOSING VALVE RPE 24VAC	
5	31001037	1	SWITCHBOX ASSEMBLED WITH CABLE	[4]
5	101118188	1	MICRO-SWITCH KIT	[5]
B4	107143121	2	REED SWITCH NO W/CABLE	[6]
A3	107143043	1	CABLE FOR TEMPERATURE ADJUSTMENT	
B8	101118214	1	FLOAT SWITCH KIT	
A4	107143038	1	CABLE FOR ADJUSTMENT ANTI SCALE	
B9	107143033	1	LEVEL SENSOR FUEL TANK	[7]
B9	107143059	1	EHR-4 JUMPER	[8]
B6	101118173	1	OIL SENSOR W/PLUG KIT	[9]
B6	107143059	1	EHR-4 JUMPER	[8]
B7	107143100	1	FLAME SENSOR WITH CABLE	
S1	107143055	1	CABLE FOR HOT WATER MODE AND EXH. SWITCH	
B1	107143083	1	TEMPERATUR SENSOR PT100 W/CABLE	
A1	107143053	1	CABLE FOR UI	
A2	107143098	1	PRIMARY CABLE FOR IGNITION COIL	
M2	107143096	1	MOTOR BURNER - 0.23KW/230V/50HZ/1PH	[10]
M2	107143097	1	MOTOR BURNER 390W/200-240V/50/60HZ	[11]
10	107143054	1	WIRE BLACK L=400	[12]
10	107143058	1	WIRE 1.5MM2 BLACK	[2]
C3	101117867	1	Entstörglied	

## Part Notes:

- [1] - MH4
- [2] - MH3 1~
- [3] - MH3 3~
- [4] - MH3
- [5] - NA5 PA
- [6] - NA5 FA
- [7] - MH4+5+6+7
- [8] - MH3+MH4FAL
- [9] - MH4+5+6+7
- IS\_107309166 \_D Mounting Instructions for JST Connector 1+0
- [10] - All except MH4 JP+ MH4M-200 60Hz
- [11] - MH4 JP+ MH4M-200 60Hz
- [12] - All except MH3 1~



Pos.	Artikel-Nr.	Menge	Variante	Notes
1	101118121	1	Satz Ventile	
2	101118323	1	Wasserdichtungssatz	[1]
3	107144102	1	Dichtungssatz Kolben	
4	101118239	1	PISTON KIT - NA5.2	
5	107144104	1	Satz Feder	
6	107141983	1	CYLINDER BLOCK W/ O-RING NA5.2	
9	101118147	1	Einlass Kit NA5	
10	107140919	1	SUPPORT RING NA5 SPARE VPE 3	
11	107141968	1	CYL.SCREW M12X80 WITH NORDLOCK WASHER	
12	107141969	3	WASHER NLX12SP D12.5XD25.4X4.2MM	
13	107141985	1	CYLINDER HEAD NA5.2 W. SCREWS WASHERS	
14	107141512	1	O-Ring D114 x D1.78	
15	4042	2	Schraube M8 X 40 8.8	
16	107143085	1	LOCK PIN	
17	107143092	1	WATER LIMITER (SMALL)	[2]
17	107143000	1	WATER LIMITER (MEDIUM)	[3]
18	8298	2	Schlauchschelle SGL 16-27	
19	107143031	1	FUELFLEX HOSE D28/D20 10BAR/20°	
20	11654	1	Schlauchklemme 11,5	
21	106408243	1	HOSE 1/4INCH TRANSPARENT - 5 METERS	
22	107143088	1	O-RING 18.72X2.62	

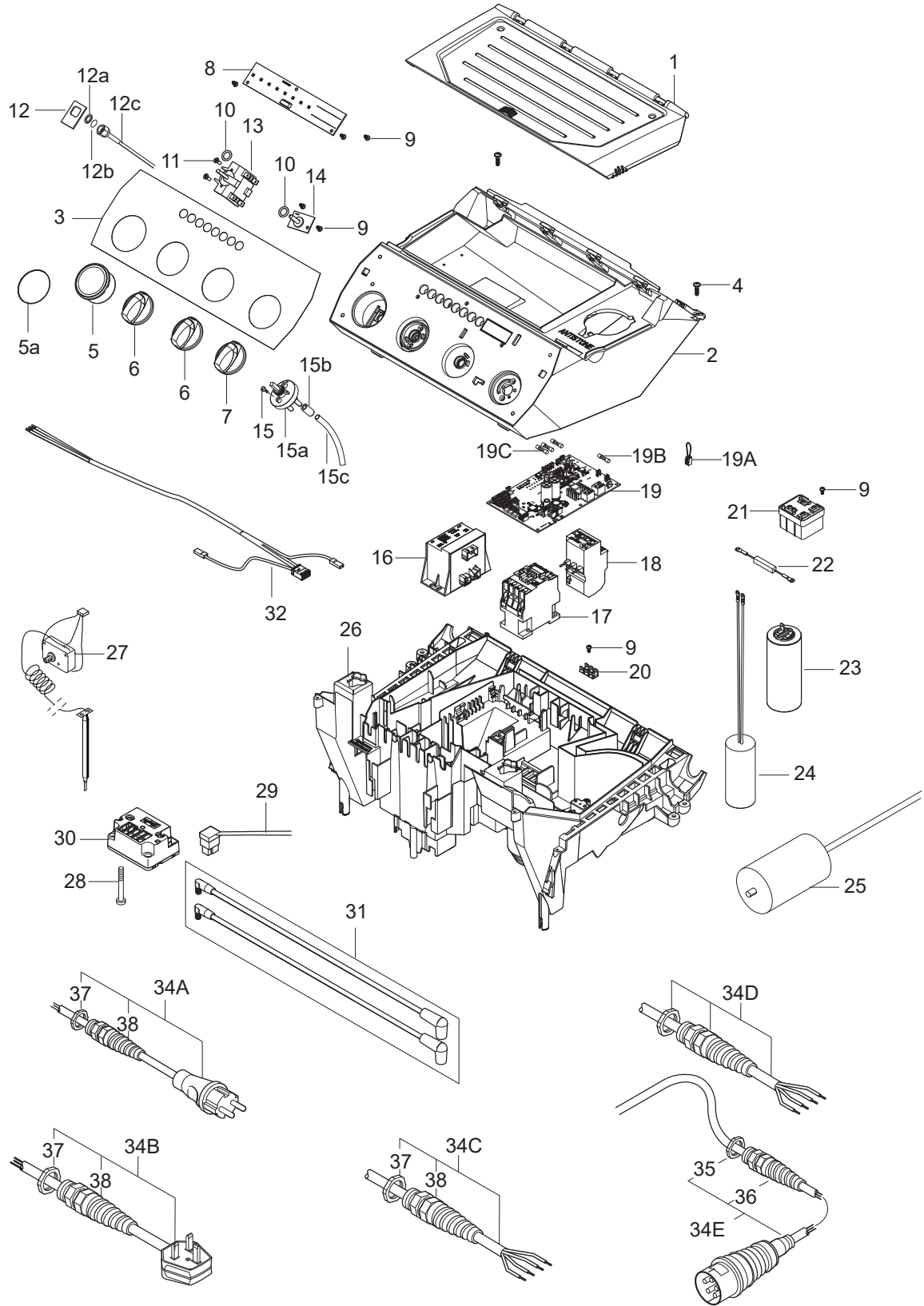
## Part Notes:

- [1] - TSB-PPW-2020-003 NA5 pump THRUST COLLAR changed  
 DE TSB-PPW-2020-003 NA5 Pumpe - Änderung der Druckringe  
 TSB-PPW-2020-003 Nouvelles bagues laiton pour pompe NA5
- [2] - MH 4M-100/680 PA

MH 4M-100/720 FA Gerni

MH 4M-130/720 FA

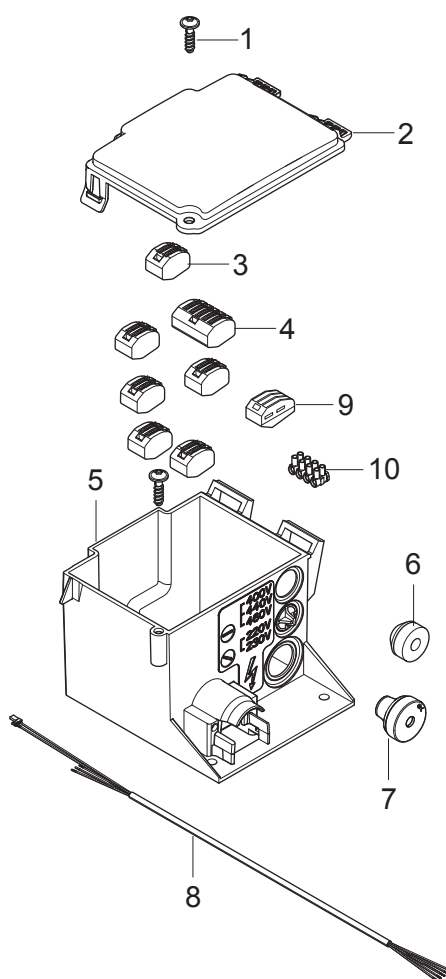
- [3] - MH 4M-200/960FA  
MH 4M-210/1000PA  
MH 4M-180/890 FA  
MH 4M-180/860 FA  
MH 4M-220/1000 FA



Pos.	Artikel-Nr.	Menge	Variante	Notes
1	107143046	1	TOOL BOX LID	
2	107143045	1	E-BOX TOP	
3	107143047	1	LABEL F. CONTR PANEL MEDIUM SPEC NILFISK	
3	107143049	1	LABEL F. CONTROL PANEL LOW SPEC NILFISK	[1]
4	107141838	2	SCHRAUBE K50X18 WN1451 SCHWARZ TORX 20	
5	107141648	1	MANOMETER 0-300 BAR	
5a	107143050	1	COVER FOR E-BOX (MANO-HOLE)	[1]
6	909100204	2	Drehknopf 6x5 blau	
7	909100214	1	Schalter GR 1 4 Kt	
8	107143044	1	PCBA UI LED	
9	909100046	5	Schraube 4x8	
10	9868	2	O-Ring 10x2,5	
11	18274	2	Senkschraube M4x12	
12	107141650	1	Halter	
12a	107141651	1	Scheibe DIN125-A13	
12b	31000508	1	O-RING NBR	
12c	102406647	1	Manometerrohr	
13	28877	1	Schalter	
14	101117730	1	PCB FOR POTENTIOMETER	
15	1814730	2	Schraube 3,5x10	
15a	301001000	1	Ventil	
15b	301001906	1	Verschlusskappe	
15c	106408243	1	HOSE 1/4INCH TRANSPARENT - 5 METERS	
16	107143051	1	POWER TRANSFORMER 230/400V 2X24V	
16	107143064	1	POWER TRANSFORMER 220-240V/440-460V	
16	107143068	1	POWER TRANSFORMER 115 / 200V	
17	103822306	1	Schütz CJX2-D18-B7 24V	[2]
17	103822313	1	Schütz 100-C23KJ10	[3]
17	103822317	1	Schütz CJX2-D32-B7 24V	[4]
18	103822327	1	Thermorelais 12-18A	[5]
19	107143151	1	PCBA MH	[6]
19A	101221031	1	Jumper f. Servicerückstellung	
19B	31001190	1	FUSE 6.3A 5X20 MM 250V	
20	107307326	1	ERDUNGSANSCHLUSS 6 PIN	
21	107142761	1	START RELAY RVA4G0C	[7]
22	107141730	1	DISCHARGE RESISTOR 15KOHM/7W	
23	107141856	1	CAPACITOR 70UF 450V	[8]
24	107143182	1	CAPACITOR 70UF 450/500V RP-3	[9]
25	107141619	1	CAPACITOR 170MF	[10]
26	107143062	1	E-BOX BOTTOM	
27	101117723	1	Abgastemperaturüberwachen	
28	909100149	2	Ejotschraube K50x50 WN 14	
29	107143098	1	PRIMARY CABLE FOR IGNITION COIL	
30	101117759	1	Zündtransformator 220-240	[11]
31	101118220	1	2 X IGNITION CORDS KIT	
32	107143056	1	CABLE FOR POWER TRAF0 PRIM 230V	[12]
32	107143063	1	CABLE FOR POWER TRANSFORMER PRIM 400V	[13]
32	107143072	1	CABLE F. POWER TRANSFORMER PRIM 230/400	[14]
34A	101117809	1	Netzkabel H07RN CEE	[15]
34B	101117812	1	Netzkabel H07RN BS13	[16]
34C	101117811	1	Netzkabel H07RN 4G1,5	[17]
34C	107143099	1	POWER CORD 4X2.5MM2 X9M	[18]
34D	101118182	1	POWER CORD H07RN 4G2.5X6M GND 6.3X0.8 NO	[19]
34E	301000834	1	Anschlussleitung Europa	[20]
35	909100198	1	Schnur Befestigung	
36	909100020	1	Sechskantmutter M25x1,5 EN 50262 PA	
37	909100019	1	Sechskantmutter M20x1,5 EN 50262 PA	
38	909100043	1	Kabelverschraubung	

## Part Notes:

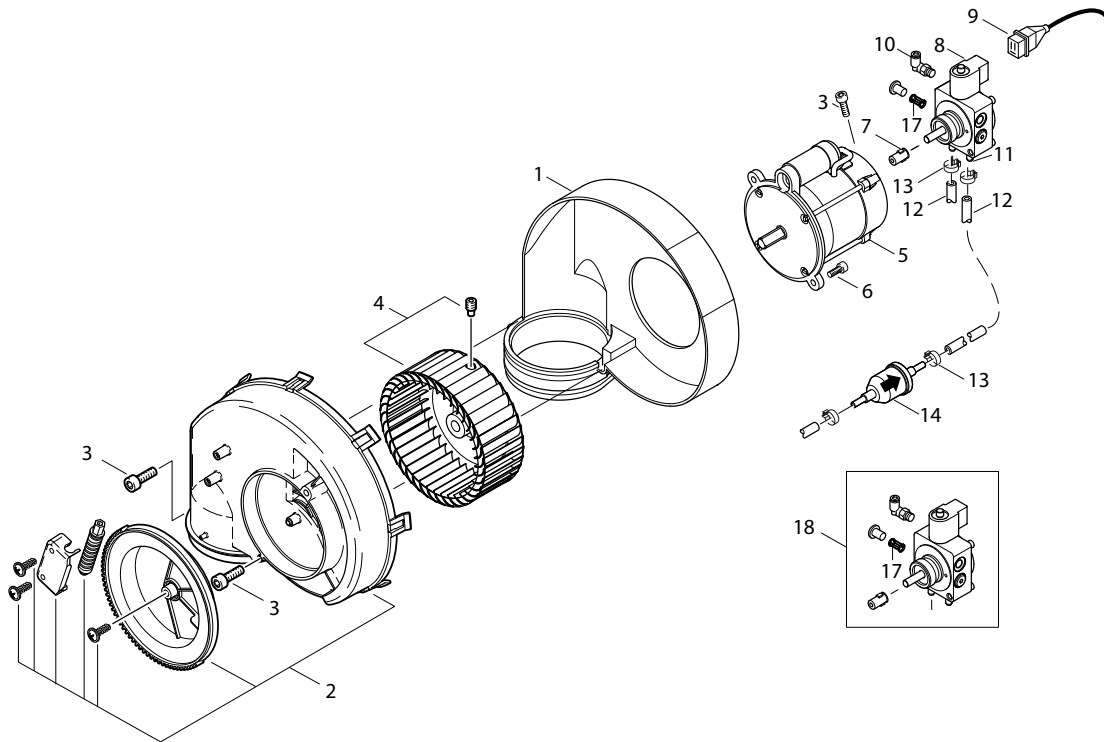
- [1] - FAL
- [2] - All MH3  
MH4-100/680, MH4-130/720, MH4-180/860, MH4-200/960, MH4-210/1000, MH220/1000
- [3] - MH3-160/770 440-220V 3~ 60Hz (EXP)  
MH4-200/960 400-230V 3~ 50Hz (NO)
- [4] - MH4-180/890 200V 3~ 50/60Hz (JP), MH4-200/960 440-220 3~ 60Hz (EXP)
- [5] - Only MH3
- [6] - TSB-PPW-2018-014 MH models Software update  
DE TSB-PPW-2018-014 MH-Modelle Software Update
- [7] - TSB-PPW-2018-003 MH\_MC change of start relay and run capacitor  
TSB-PPW-2018-003 MH\_MC Changement du relais de démarrage et du condensateur de fonctionnement
- [8] - MH3: 1ph
- [9] - MH4: 1ph  
TSB-PPW-2018-003 MH\_MC change of start relay and run capacitor
- [10] - MH4: 1ph
- [11] - TSB-PPW-2018-004 Boiler cannot start - no ignition  
FR TSB-PPW-2018-004 Le bruleur ne démarre plus  
DE TSB-PPW-2018-004 Brenner startet nicht - keine Zündung
- [12] - MH3/MH4: 1~
- [13] - MH3/MH4: Star or Delta
- [14] - MH3/MH4: star/delta
- [15] - MH 4M-130/720 FA 230/1/50 EU
- [16] - MH 3M-100/600 PA 230/1/50 UK, MH 4M-100/680 PA 230/1/50 UK
- [17] - MH 3M-160/770 PA 440-220/3/60 EXPT
- [18] - MH 4M-180/890 FA 200/3/50 JP
- [19] - MH 4M-200/960 FAX 400-230/3/50 NO, EXP
- [20] - MH 4M-200/960 FA 400/3/50 EU, MH 4M-180/860 FAL 400/3/50 EU, MH 4M-210/1000 PAX 400/3/50 EU, MH 3M-160/770 PA 400/3/50 EU, MH 4M-220/1000 FAX 400/3/50 EU



Pos.	Artikel-Nr.	Menge	Variante	Notes
1	107141838	1	SCHRAUBE K50X18 WN1451 SCHWARZ TORX 20	
2	301000782	1	Deckel	
3	107143069	6	SNAP TERMINAL 2 POL	
4	301002165	1	Anschlussklemmenkäfig	
5	107143074	1	E-BOX	
6	3803764	1	Stopfbuchse TET 5-7C	
7	3803772	1	Tülle	
8	107143075	1	MOTOR CABLE 5G1.5 FOR 3~	[1]
8	107143076	1	MOTOR CABLE 5G1.5 FOR 1~	[2]
8	107143071	1	MOTOR CABLE 5G2.5 FOR STAR/DELTA	[3]
8	107143129	1	MOTOR CABLE 4G4 DELTA MH5-6-7	[4]
9	107143069	1	SNAP TERMINAL 2 POL	[5]
10	107143158	1	TERMINAL BLOCK 4-POL 10MM2	[6]

## Part Notes:

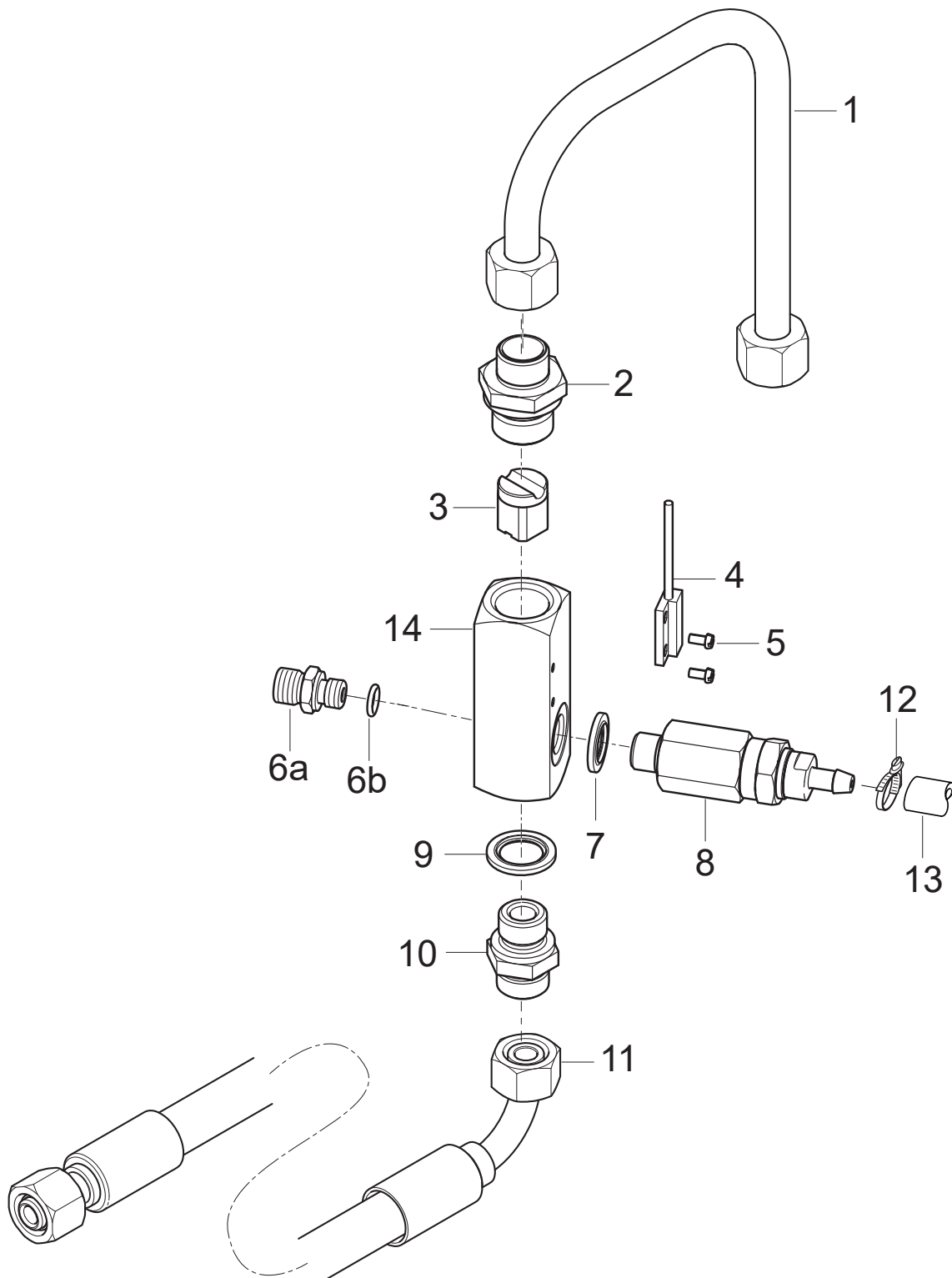
- [1] - MH4, MH5-200
- [2] - MH4 1ph, MH5 1ph
- [3] - MH4 (JP), MH5 (not MH5-200), MH6, MH7
- [4] - MH6 JP, MH7 JP
- [5] - 1~
- [6] - MH5-6-7 - Delta, JP



Pos.	Artikel-Nr.	Menge	Variante	Notes
1	301000495	1	Lüftergehäuse	
2	301000852	1	Abdeckung	
3	32535	3	Zylinderschraube M5x16	
4	301000889	1	Lüfterrad	
4	301002126	1	Lüfterrad	[1]
5	107143179	1	MOTOR BURNER 350W/110-120V/50/60HZ	[2]
5	107143096	1	MOTOR BURNER - 0.23KW/230V/50HZ/1PH	
5	107143097	1	MOTOR BURNER 390W/200-240V/50/60HZ	[1]
6	4697	2	Zylinderschraube M6x16	
7	101117707	1	Verbindungskupplung	
8	3821089	1	Spule m. Mutter und Scheibe	
9	107143095	1	CABLE FOR SOLENOID VALVE 2X0.5	
10	101117706	1	Winkelverschraubung	
11	101117777	1	Schlauchverbindung zur Öl	
12	106408244	1	HOSE D6X2.5 - 5 METERS	
13	301001133	2	Schlauchklemme 10/7	
14	301002926	1	Filter 101X36.5X6 KU	
17	31001081	1	FILTER FOR OIL PUMP	
18	101117673	1	Ölpumpe komplett	

## Part Notes:

- [1] - JP, EXPT  
 [2] - MH 3C



Pos.	Artikel-Nr.	Menge	Variante	Notes
1	107143115	1	PIPE FLOW CONTROL PA/BOILER B2-B2.5	
2	107143122	1	THREADED CONNECTION D12X1/2 INCH	
3	101117798	1	Magnetgehäuse komplett	
4	107143121	1	REED SWITCH NO W/CABLE	
5	101118033	2	SCREW M3X6 BRASS	
6a	1821	1	Verbindungsstück	
6b	3001740	1	O-RING 7.66X1.78 NITRIL 70SH	
7	1803493	1	Dichtungsscheibe	
8	101118290	1	OPENING PRESSURE VALVE 146 BAR KIT	[1]
8	101118292	1	OPENING PRESSURE VALVE 250 BAR KIT	[2]
9	1801075	1	Dichtring	
10	1601079	1	Verbindungsstück	
11	107143118	1	PIPE MPU/FLOW CONTROL NA4 PA	[3]
11	107143119	1	PIPE MPU/FLOW CONTROL NA5-PA/B2-B2.5	[4]
12	11654	2	Schlauchklemme 11,5	
13	101406100	1	Schlauch 6x3 mm x 5 m	
14	101118306	1	FLOW CONTROL HOUSING PA	

## Part Notes:

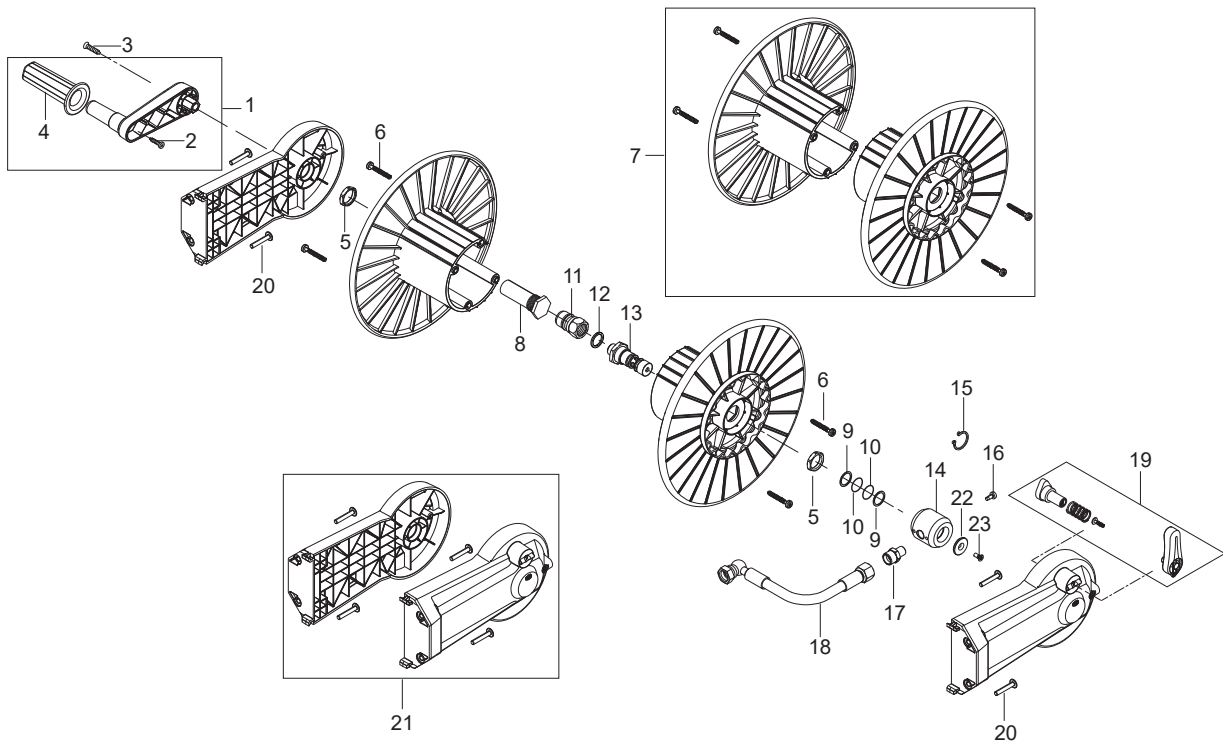
- [1] - MH 4M-100/680
- [2] - MH 4M-210/1000
- [3] - MH3
- [4] - MH4



Pos.	Artikel-Nr.	Menge	Variante	Notes
1	107143034	1	FUEL TANK LID - RED	
2	107144862	1	Tankfilter Ø49,5X140	
3	107143035	1	FUEL TANK 15L	
4	301001133	6	Schlauchklemme 10/7	
5	301002926	1	Filter 101X36.5X6 KU	
6	106408244	1	HOSE D6X2.5 - 5 METERS	
7	3000072	1	O-Ring 10,1 X 1,6 SMS	
8	6180906	1	Verschlussschraube	[1]
9	107143033	1	LEVEL SENSOR FUEL TANK	
10	3001237	1	Dichtung	[2]
11	107143113	1	END CAP 3/4	[2]
12	107143164	1	BEND PROTECTOR	[3]

Part Notes:

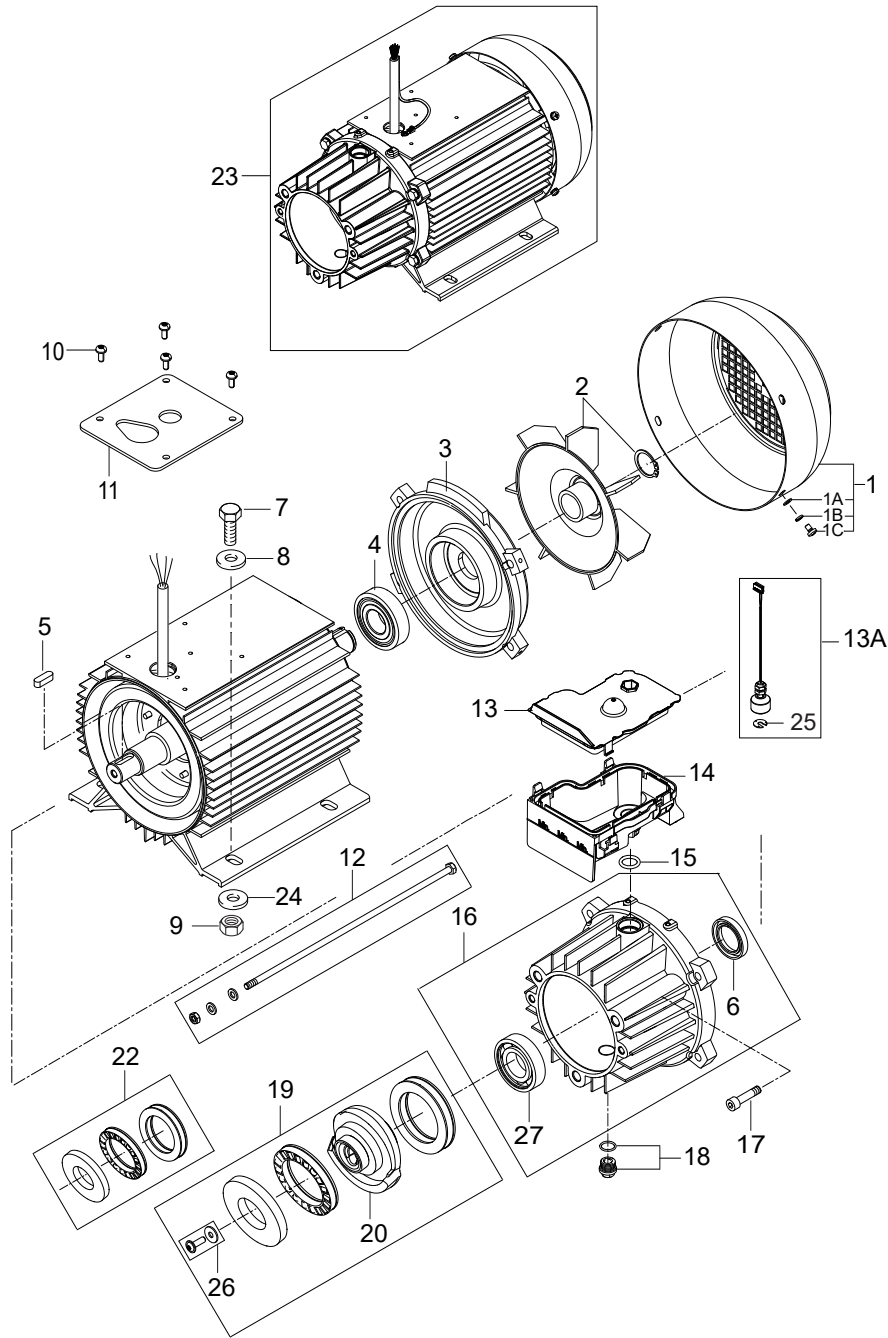
- [1] - STOCK COVERS GUARANTEE
- [2] - MH3/FAL
- [3] - DE TSB-PPW-2017-006 MH 3, 4, 5, 6, 7 Kraftstoffschlauch kann durch zu st...  
TSB-PPW-2017-006 MH 3, 4, 5, 6, 7 Fuel hose can bend and block for fuel



Pos.	Artikel-Nr.	Menge	Variante	Notes
0	106403184	1	Schlauchtrommel CAP 20M DN8	
1	101118215	1	HANDLE FOR HOSE REEL NILFISK	
2	107141838	2	SCHRAUBE K50X18 WN1451 SCHWARZ TORX 20	
3	107141673	1	Schraube M6x45	
4	107143007	1	ROTATING HANDLE FOR HOSE REEL NILFISK	
5	62696	2	Sechskantmutter M24x1,5x	
6	909100153	4	Schraube 6x40	
7	101118209	1	HOSE REEL SIDE KIT	
8	107141675	1	Achse	
9	107143017	2	BACK-UP RING	
10	19620	2	O-Ring 15,54x2,62	
11	1600493	1	Anschlussstück	
12	1801075	1	Dichtring	
13	107143123	1	SWIVEL FOR HOSE REEL	
14	101118317	1	BEARING BUSH KIT	[1]
15	1802057	1	Seegerring U 20 x1,2	[2]
16	107141690	1	Linsenschraube DIN7985-M5x12-8.8	
17	54590	2	Anschlussstück	
18	107143114	1	CONNECTION HOSE DN8 FOR HOSE REEL	
19	101118212	1	020KE HANDLE FOR HOSE REEL NILFISK KIT	
20	107143010	4	SCREW M6X35	
21	101118208	1	HOSE REEL ADAPTOR KIT	
22	107143125	1	WASHER 25 FOR COUNTERSUNK M5	[3]
23	107143124	1	COUNTERSUNK M5X12 ISO 14581	[3]
		1	Mounting instr. for Hose Reel Nilfisk	[4]

Part Notes:

- [1] - TSB-PPW-2019-005 MH Hose Reel Screw 107143124 can break  
DE TSB-PPW-2019-005 MH Schlauchtrommel Schraube 107143124 kann brechen  
TSB-PPW-2019-005 vis cassée à l'enrouleur des MH
- [2] - Up to 07.2016
- [3] - TSB-PPW-2016-018 MH 4M Hose Reel Circlip
- [4] - Mounting instructions MH Nilfisk hose reel

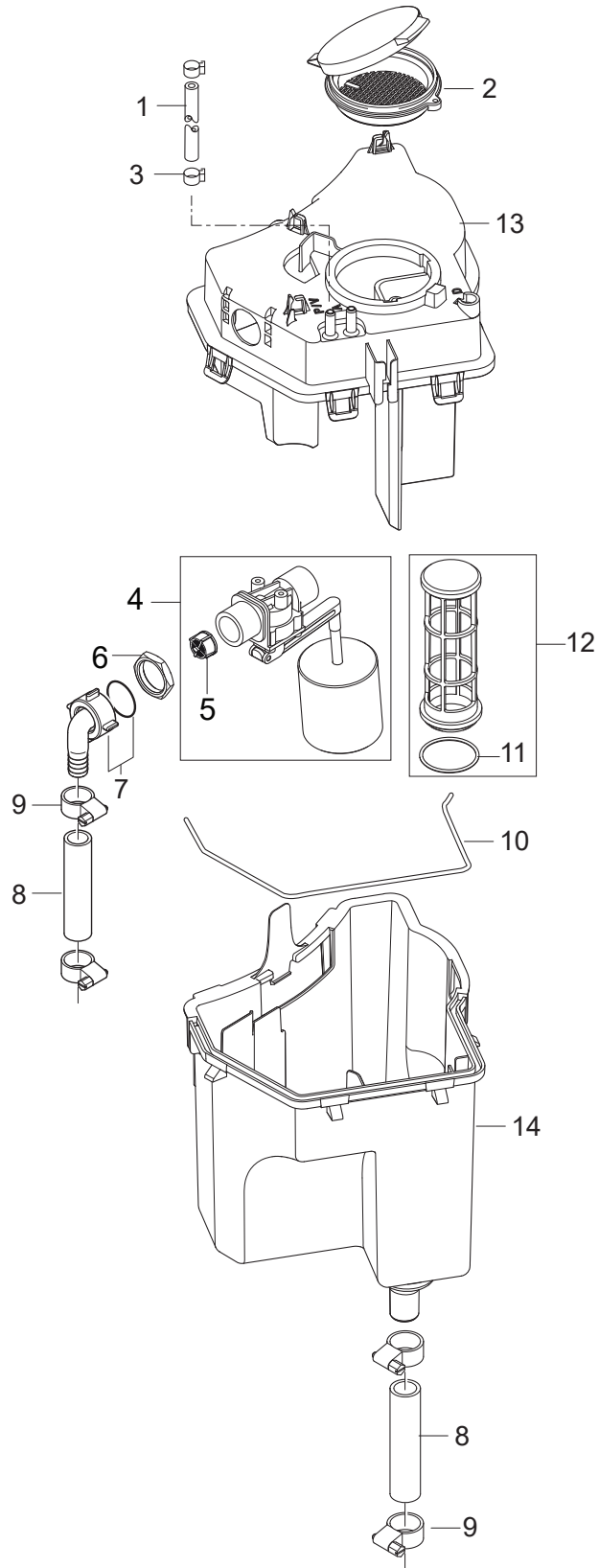


Pos.	Artikel-Nr.	Menge	Variante	Notes
	31001229	1	OIL ISO 150 ALPHASYN-T 20L	
0	5218433	1	Pumpenöl 150 1x1l	[1]
1	107144126	1	Lüfterhaube	
1A	2763	4	Scheibe 5,3x1,0 ISO 7089 zn	
1B		4	Spring washer Ø5	
1C	1813781	4	Schraube M5x8 7985 St-zn	
2	107144125	1	Lüfterrad	
3	31000148	1	Lagerdeckel	
4	31000149	1	Lager RF	
5	19639	1	Passfeder A 8x7x25	
6	G120414	1	Dichtring Ø30XØ47X7	
7	1801133	4	Schraube M10X25	
8	2767	4	Scheibe 10,5x2,0 ISO 7090 zn	
9	8952	4	Sechskantmutter M10 ISO 7042 zn	
10	107140881	4	SCREW M5X12 DIN 7985 TORX	
11	107140875	1	Dichtung	[2]
12	31000505	1	Schraube M8x290	
12	31000504	1	Schraube M8x265	
13	107140877	1	Deckel	
13A	101118173	1	OIL SENSOR W/PLUG KIT	[3]
14	107143094	1	OIL CONTAINER BOTTOM	
15	107140882	1	O-Ring 15,0 x 3,0	
16	107141967	1	D-BEARING COVER COMPLETE NA5.2	
17	107144142	4	Schraube für Pumpengehäus	
18	107141982	1	OIL PLUG W/O-RING AND MAGNET NA5.2	
19	101118249	1	WOBBLE DISC 7.2 DEG. BEARING KIT NA5.2	[4]
19	101118248	1	WOBBLE DISC 7.74 DEG. BEARING KIT NA5.2	[5]
19	101118246	1	WOBBLE DISC 8.4 DEG. BEARING KIT NA5.2	[6]
19	101118247	1	WOBBLE DISC 8.7 DEG. BEARING KIT NA5.2	[7]
19	101118245	1	WOBBLE DISC 9.15 DEG. BEARING KIT NA5.2	[8]
19	101118244	1	WOBBLE DISC 9.85 DEG. BEARING KIT NA5.2	[9]
19	101118243	1	WOBBLE DISC 10.2 DEG. BEARING KIT NA5.2	[10]
19	101118242	1	WOBBLE DISC 10.9 DEG. BEARING KIT NA5.2	[11]
20	107143108	1	WOBBLE DISC 7.2 DEG. NA5.2	[4]
20	107141990	1	WOBBLE DISC 7.74 DEG. NA5.2	[5]
20	107141961	1	WOBBLE DISC 8.4 DEG. NA5.2	[12]
20	107141962	1	WOBBLE DISC 8.7 DEG. NA5.2	[7]
20	107141963	1	Taumelscheibe NA5.2	[8]
20	107143109	1	WOBBLE DISC 9.85 DEG. NA5.2	[9]
20	107141964	1	WOBBLE DISC 10.2 DEG. NA5.2	[13]
20	107141965	1	WOBBLE DISC 10.9 DEG. NA5.2	[11]
21	101118264	1	MPU NA5.2 PA 5.5KW/400V/50HZ/3PH/10.9DEG	[14]
22	101118240	1	BEARING KIT FA PA - NA5.2	
23	107141954	1	MOTOR 5.5 KW 220/230-400/440/3/50/60 EU	[15]
23	107141955	1	MOTOR 5.2 KW/220/1 60HZ 5-52 US	[16]
23	107141956	1	MOTOR 2.2 KW/230/1 50HZ	[17]
23	107141957	1	MOTOR 4KW 200/3/50-60HZ JP 5-47 JP	[18]
23	107141958	1	MOTOR 4KW 230-400/220-440 3/50-60HZ NA5	[19]
24	4827	4	Scheibe 10,5x2,5 A ISO 7093-1 zn	
25	107142593	1	HOLDING WASHER PE	[20]
26	107142658	1	NA5.2 WD SCREW AND WASHER	
27	107144817	1	BEARING KBC 6206 GB/T818	

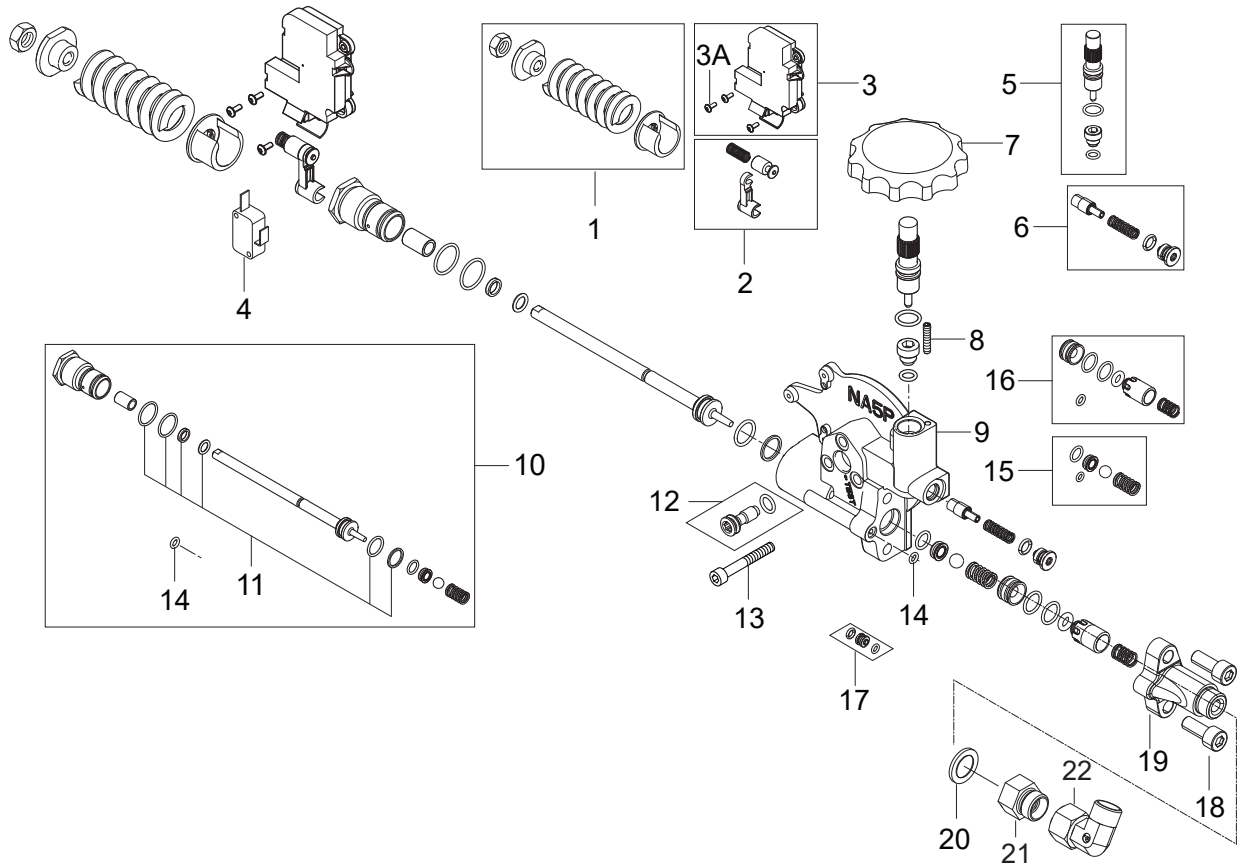
Part Notes:

- [1] - 0,75L - OIL TYPES\_QUANTITY for HPW\_APRIL 2017
- [2] - TSB-PPW-2018-012 NA5\_NA6 mpu. Water enters into the stator.
- [3] - MI 107309166 JST Connector
- [4] - Machine no.107146910, MH 4M-100/680 PA, 107146911 - MH 4M-100/680 PAX
- [5] - Machine no. 107146915 MH 4M-130/720 FA, 107146933 MH 4M-100/720 FA, 107146914 MH 4M-2800/3,8

- [6] - Machine no. 107146919 MH 4M-180/890 FA 200/3/60 JP
- [7] - Machine no. 107146924 MH 4M-200/960, 107146914 MH 4M-3000/4,2 US
- [8] - Machine no. 107146916 MH 4M-180/860, 107146917 MH 4M-180/860
- [9] - Machine no. 107146918 MH 4M-180/890 FA 200/3/50 JP
- [10] - Machine no. 107146920, 107146921, 107146922, 10714923, 107146934 - MH 4M-200/960 FA
- [11] - Machine no. 107146912 MH 4M-210/1000 PA, 107146938 MH 4M-220/1000 FA, 107146940 MH 4M-220/1000 FAX
- [12] - Machine no. 107146919 MH 4M-180/890 FA 200/3/60 JP
- [13] - Machine no. 107146920, 107146921, 107146922, 10714923, 107146934 - MH 4M-200/960 FA
- [14] - MH 4M-210/1000 PAX EU
- [15] - MH 4M-200/960 FA, MH 4M-210/1000 PAX, MH 4M-220/1000 FA  
Also order Gasket for motor, 107140875
- [16] - Also order Gasket for motor, 107140875
- [17] - MH 4M-130/720 FA, MH 4M-100/720 FA, MH 4M-100/680 PA  
Also order Gasket for motor, 107140875
- [18] - MH 4M-180/890 FA JP  
Also order Gasket for motor, 107140875
- [19] - MH 4M-180/860 FA, MH 4M-180/860 FAL  
Also order Gasket for motor, 107140875
- [20] - TSB-PPW-2016-017 Locking ring for oil level switch falling off



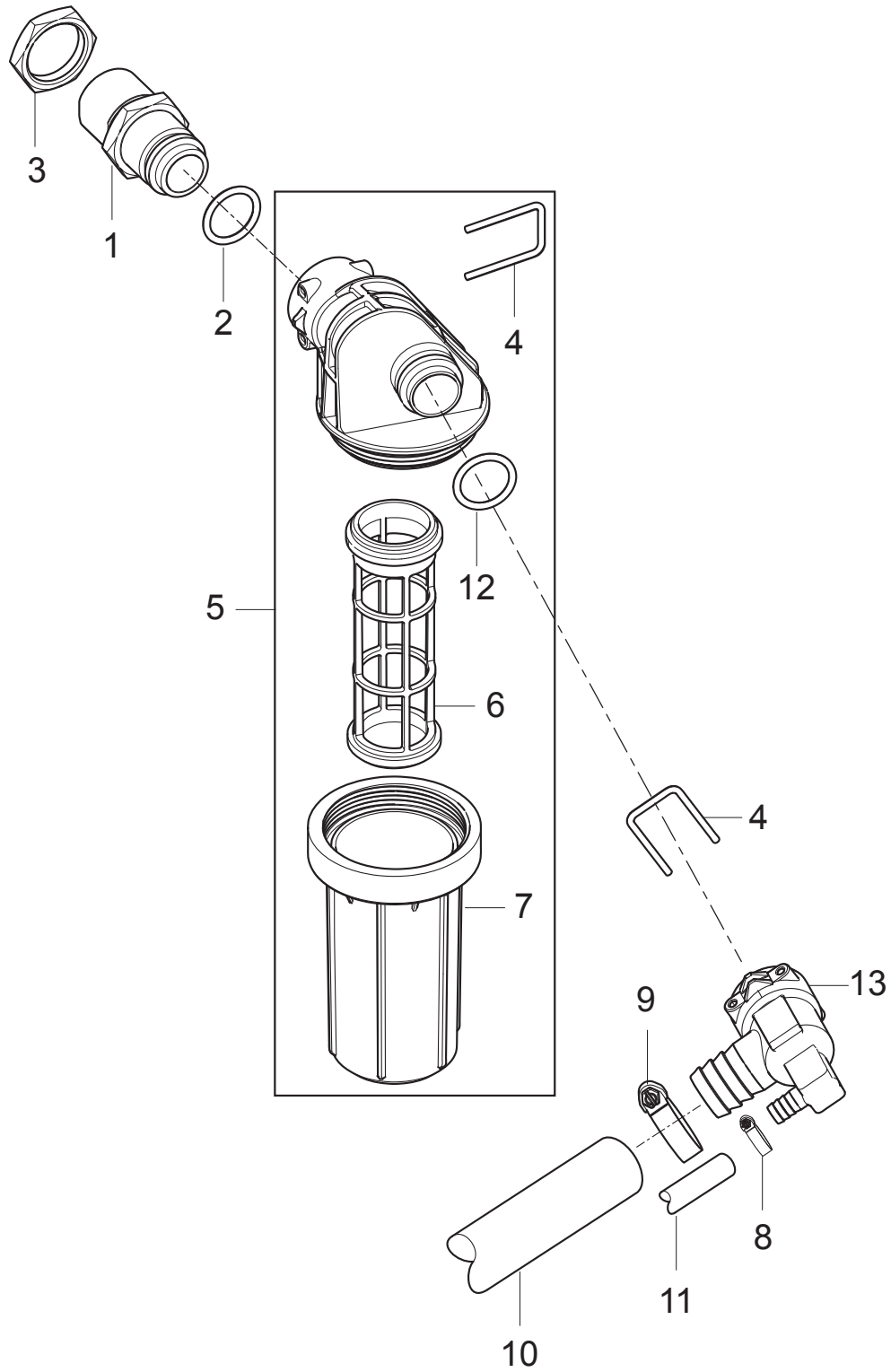
Pos.	Artikel-Nr.	Menge	Variante	Notes
1	101406100	1	Schlauch 6x3 mm x 5 m	
2	301000561	1	Deckel RP-Behälter	
3	301001133	2	Schlauchklemme 10/7	
4	101117784	1	Schwimmventil	
5	34218	1	Filter Ø19 KU	
6	1800341	1	Gegenmutter 3/4	
7	107143084	1	HOSE COUPLING 90° 20X3/4 PP W/NUT/GASKET	
8	107143031	1	FUELFLEX HOSE D28/D20 10BAR/20°	
9	8298	4	Schlauchschele SGL 16-27	
10	101406054	1	Dichtung	
11	107143032	1	O-RING D30X2 SHORE70 NBR BLACK	
12	106403194	1	FILTER FOR WATER BREAK TANK ACCESSORY	
13	107143060	1	COVER FOR WATER TANK	
14	107143030	1	WATER BREAK TANK	



Pos.	Artikel-Nr.	Menge	Variante	Notes
1	101118091	1	Feder	
2	101118090	1	MICROSW. ACTIVATION REP. KIT NA5 PA	
3	101118084	1	Schaltergehäuse	
3A	107141515	3	SCREW M3X8 ISO7380 FZG TORX 10	
4	101118188	1	MICRO-SWITCH KIT	
5	101118313	1	FLOW REGULATION VALVE KIT	[1]
6	101118315	1	PRESSURE BUILD UP VALVE LOW FLOW KIT	[2]
6	101118314	1	PRESSURE BUILD UP VALVE HIGH FLOW KIT	[3]
7	107143003	1	Einstellknopf NA5/NA6	
8	106408188	1	DIN 913 M4X20 POINTED SCREW	
9	107140884	1	UNLOADER PA NA5	[4]
10	101118294	1	STEM + SEALING REP. KIT NA5/5.2/6/6+ PA	[5]
11	101118083	1	Reparatursatz Steuerkolben	
12	107144137	1	Stopfen	
13	5100	3	Zylinderschraube M6x45	
14	107141514	1	O-RING D4 X D1.5 NBR 90	
15	101118295	1	BYPASS VALVE REP. KIT NA5.2 PA	[5]
16	101118254	1	HOLDING PRESS.V.REP. KIT NA5.2PA - UK AU	[5]
17	101118316	1	DAMPER SEAT WITH O-RING KIT	[6]
18	8894	2	Schraube M8 x 20 8.8	
19	107143110	1	NA5 PA OUTLET MACHINED	
20	107143107	1	PACKING RING D23.8XD17.28X2	
21	107143090	1	ADAPTOR IN 3/8 OUT M18X1.5	
22	101118094	1	Kupplungssatz 90D ISO	

## Part Notes:

- [1] - TSB-PPW-2020-001 MH 4\_MH 5M Damper Valve removed  
DE TSB-PPW-2020-001 MH 4 MH 5M Dämpferkolben entfernt
- [2] - MH 4M-100/680 PA 230/1/50 UK  
  
TSB-PPW-2020-001 MH 4\_MH 5M Damper Valve removed  
DE TSB-PPW-2020-001 MH 4 MH 5M Dämpferkolben entfernt
- [3] - MH 4M-210/1000 PAX 400/3/50 EU  
  
TSB-PPW-2020-001 MH 4\_MH 5M Damper Valve removed  
DE TSB-PPW-2020-001 MH 4 MH 5M Dämpferkolben entfernt
- [4] - TSB-PPW-2020-001 MH 4\_MH 5M Damper Valve removed  
DE TSB-PPW-2020-001 MH 4 MH 5M Dämpferkolben entfernt  
TSB-PPW-2020-001 MH 4M5M\_ MC 5M machine en version PA. Supression de l'anti bélier
- [5] - TSB-PPW-2017-005 Low pressure—Unloader valve for NA5.2 pump can leak internally
- [6] - Only for MH 4M and MH 5M single phase UK machines  
  
TSB-PPW-2020-001 MH 4\_MH 5M Damper Valve removed  
DE TSB-PPW-2020-001 MH 4 MH 5M Dämpferkolben entfernt  
TSB-PPW-2020-001 MH 4M5M\_ MC 5M machine en version PA. Supression de l'anti bélier



Pos.	Artikel-Nr.	Menge	Variante	Notes
1	107143086	1	FITTING FOR WATER INLET	
2	107143088	2	O-RING 18.72X2.62	
3	1800341	1	Gegenmutter 3/4	
4	107143085	2	LOCK PIN	
5	107144272	1	FILTER CPL. MH 5000MM2 50µ ACCESSORY	
6	31001100	1	FILTER CARTRIDGE WITHOUT FLANGE	[1]
7	31001011	1	Glas für Wasserfilter	[1]
8	11654	1	Schlauchklemme 11,5	
9	8298	1	Schlauchschele SGL 16-27	
10	107143031	1	FUELFLEX HOSE D28/D20 10BAR/20°	
11	101406100	1	Schlauch 6x3 mm x 5 m	
12	107143088	1	O-RING 18.72X2.62	
13	107143089	1	WATER INLET FITTING FOR PA	

## Part Notes:

- [1] - TSB-PPW-2020-006 Water inlet filter cartridge and filter glass improved  
 TSB-PPW-2020-06 Cartouche de filtre d'entrée d'eau et bocal de filtre amélioré  
 DE TSB-PPW-2020-006 Wasserzulauffilter Glas und Filtereinsatz verbessert

---

# No Diagram Available

# Parts List Only

Pos.	Artikel-Nr.	Menge	Variante	Notes
C	107145780	1	RADKAPPE FUER RAD Ø300X65	
C	46363	1	Klemmscheibe	
C	107145637	1	RAD D300X65 (STARCO)	
C	107143304	1	Rad D250 mit Abdeckung	
B	106408244	1	HOSE D6X2.5 - 5 METERS	
A	107143630	1	INLINE FUEL FILTER SPT	
A	301002926	1	Filter 101X36.5X6 KU	
A	101117784	1	Schwimmerventil	
A	34218	1	Filter Ø19 KU	
B	106403194	1	FILTER FOR WATER BREAK TANK ACCESSORY	
B	107143033	1	LEVEL SENSOR FUEL TANK	
A	107144146	1	Pumpenöl NA5 1 Liter	
C	101118240	1	BEARING KIT FA PA - NA5.2	
C	101118242	1	WOBBLE DISC 10.9 DEG. BEARING KIT NA5.2	
C	101118243	1	WOBBLE DISC 10.2 DEG. BEARING KIT NA5.2	
C	101118244	1	WOBBLE DISC 9.85 DEG. BEARING KIT NA5.2	
C	101118245	1	WOBBLE DISC 9.15 DEG. BEARING KIT NA5.2	
C	101118247	1	WOBBLE DISC 8.7 DEG. BEARING KIT NA5.2	
C	101118246	1	WOBBLE DISC 8.4 DEG. BEARING KIT NA5.2	
C	101118248	1	WOBBLE DISC 7.74 DEG. BEARING KIT NA5.2	
C	101118249	1	WOBBLE DISC 7.2 DEG. BEARING KIT NA5.2	
C	107144125	1	Lüfterrad	
C	31000149	1	Lager RF	
C	G120414	1	Dichtring Ø30XØ47X7	
A	101118121	1	Satz Ventile	
A	101118323	1	Wasserdichtungssatz	
A	107144102	1	Dichtungssatz Kolben	
A	101118239	1	PISTON KIT - NA5.2	
A	107144104	1	Satz Feder	
A	107141968	1	CYL.SCREW M12X80 WITH NORDLOCK WASHER	
A	107141969	1	WASHER NLX12SP D12.5XD25.4X4.2MM	
A	101118084	1	Schaltergehäuse	
A	101118254	1	HOLDING PRESS.V.REP. KIT NA5.2PA - UK AU	
A	101118294	1	STEM + SEALING REP. KIT NA5/5.2/6/6+ PA	
A	101118315	1	PRESSURE BUILD UP VALVE LOW FLOW KIT	
A	101118314	1	PRESSURE BUILD UP VALVE HIGH FLOW KIT	[1]
A	101118295	1	BYPASS VALVE REP. KIT NA5.2 PA	
A	101118055	1	MAGNET AND HOUSE FOR FLOW SWITCH-KIT NA6	
A	107143121	1	REED SWITCH NO W/CABLE	
A	101117896	1	Rückschlagventil mit	
A	101118191	1	SEALING KIT FOR MALE STUD	
A	1119566	1	Reparatursatz fuer Ruecks	
A	106403194	1	FILTER FOR WATER BREAK TANK ACCESSORY	
A	31001100	1	FILTER CARTRIDGE WITHOUT FLANGE	
C	107143044	1	PCBA UI LED	
C	28877	1	Schalter	
A	107143151	1	PCBA MH	
C	107143051	1	POWER TRANSFORMER 230/400V 2X24V	
C	107143064	1	POWER TRANSFORMER 220-240V/440-460V	
C	107143068	1	POWER TRANSFORMER 115 / 200V	
B	107307326	1	ERDUNGSANSCHLUSS 6 PIN	
B	103822313	1	Schütz 100-C23KJ10	
B	103822316	1	Schütz CJX2-D32-F7 110V	
B	103822327	1	Thermorelais 12-18A	
C	107143098	1	PRIMARY CABLE FOR IGNITION COIL	
C	301002505	1	Zündkabel 7 x 500	[2]
B	107143100	1	FLAME SENSOR WITH CABLE	
C	107143033	1	LEVEL SENSOR FUEL TANK	
A	301002856	1	Öldüse 0,75 / 60	

Pos.	Artikel-Nr.	Menge	Variante	Notes
A	2802712	1	Öl Düse 1.0 GAL 60 Grad	
A	61659	1	Düse 1.25 GAL 60°	
C	101117723	1	Abgastemperaturüberwachun	
A	31001042	1	INSULATION B2.5	
A	101117684	1	Isolation kit Neptune 2	
A	101117673	1	Ölpumpe komplett	
B	3821089	1	Spule m. Mutter und Scheibe	
B	107143095	1	CABLE FOR SOLENOID VALVE 2X0.5	
A	107143123	1	SWIVEL FOR HOSE REEL	
A	62696	1	Sechskantmutter M24x1,5x	
A	107143017	1	BACK-UP RING	
A	19620	1	O-Ring 15,54x2,62	
A	1802057	1	Seegerring U 20 x1,2	

Part Notes:

- [1] - TSB-PPW-2020-001 MH 4\_MH 5M Damper Valve removed
- [2] - GUARANTEE DATE EXPIRED



**Hotline: 0 73 03 / 901 980**

Zur Aumühle 36 | 89257 Illertissen  
Tel.: 0 73 03 / 901 980 | Fax 0 73 03 / 901 981 8  
info@wap-nilfisk-alto-shop.de

**[www.wap-nilfisk-alto-shop.de](http://www.wap-nilfisk-alto-shop.de)**