



So finden Sie Ihr gewünschtes Ersatzteil / Zubehör:

In dieser Ersatzteilliste finden Sie die Artikelnummer Ihres gesuchten Produkts. **Bitte geben Sie diese Artikelnummer in das „Suche“-Feld unseres Shops ein.**

Als Ergebnis wird Ihnen der Artikel mit Preis angezeigt und Sie können diesen bei Gefallen in den Warenkorb legen.

Sollten Sie das gesuchte Zubehör oder Ersatzteil nicht finden, helfen wir Ihnen gerne weiter.

Rufen Sie uns einfach an. Halten Sie bitte den Maschinentyp und das exakte Baujahr des Gerätes bereit:

Tel.: +49 (0) 7303 901 980

Robe Reinigungsmaschinen GmbH



Hotline: 0 73 03 / 901 980

Zur Aumühle 36 | 89257 Illertissen
Tel.: 0 73 03 / 901 980 | Fax 0 73 03 / 901 981 8
info@wap-nilfisk-alto-shop.de

www.wap-nilfisk-alto-shop.de

Weiterblättern zur Ersatzteilliste 

PARTS LIST



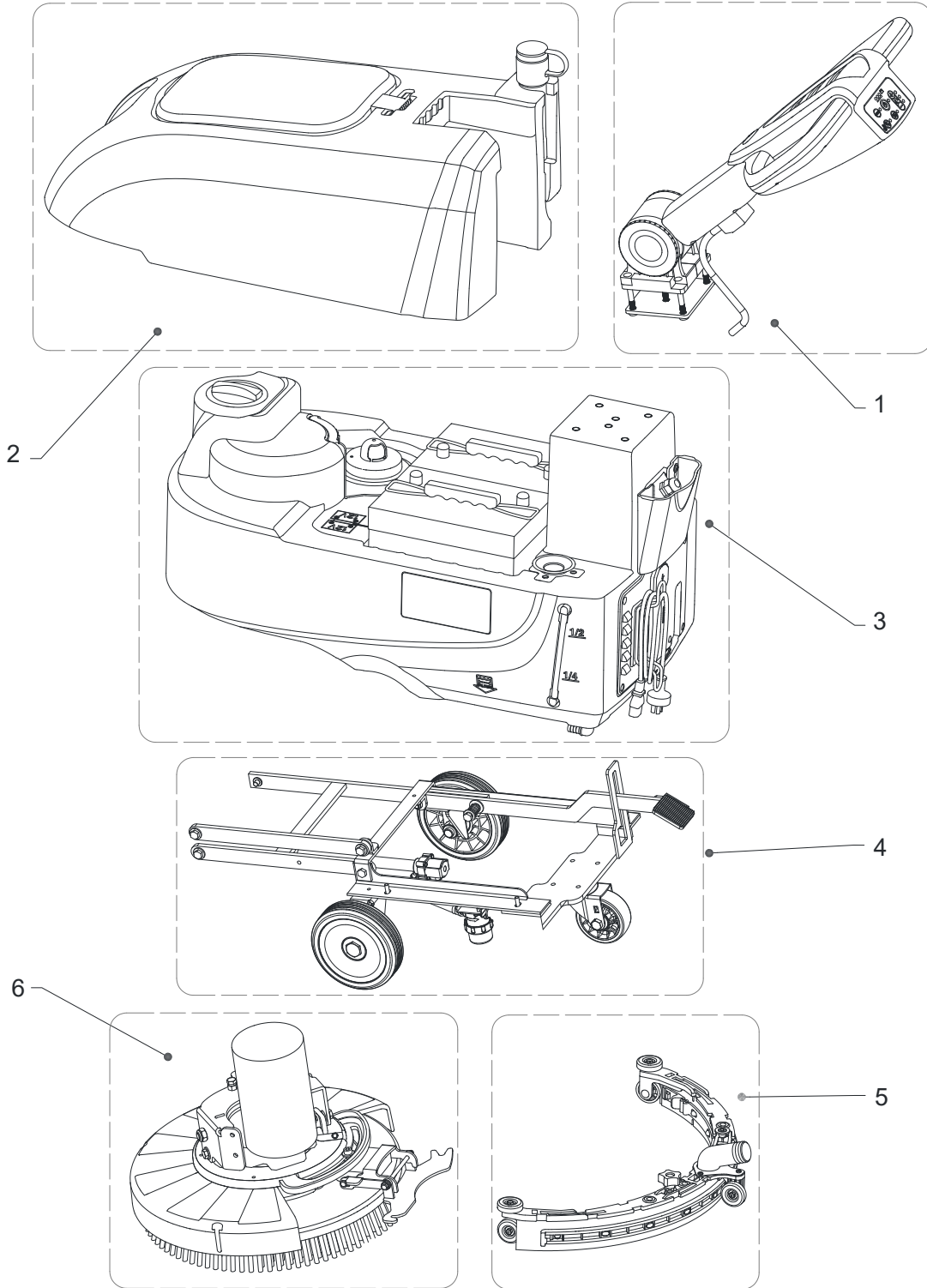
2024.10.03

NILFISK

Hotline: 0 73 03 / 901 980
Zur Aumühle 36 | 89257 Illertissen
Tel.: 0 73 03 / 901 980 | Fax 0 73 03 / 901 981 8
info@wap-nilfisk-alto-shop.de
www.wap-nilfisk-alto-shop.de

TABLE OF CONTENTS

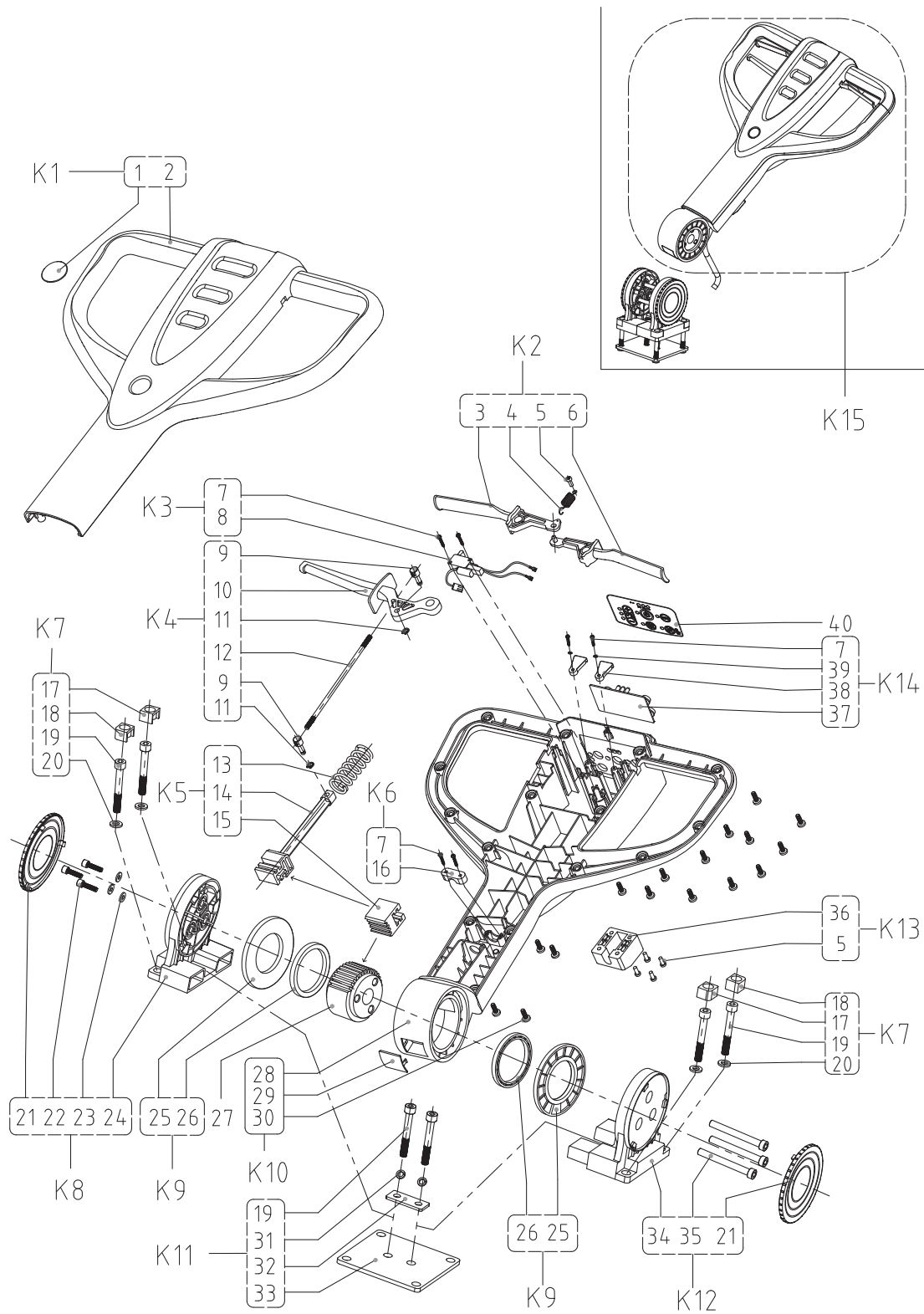
General view	1
Handle with mounting base	3
Recovery tank	5
Solution tank	7
Chassis	10
Squeegee	12
Brush	14
Wear and Tear Parts	17
Wiring diagram	19



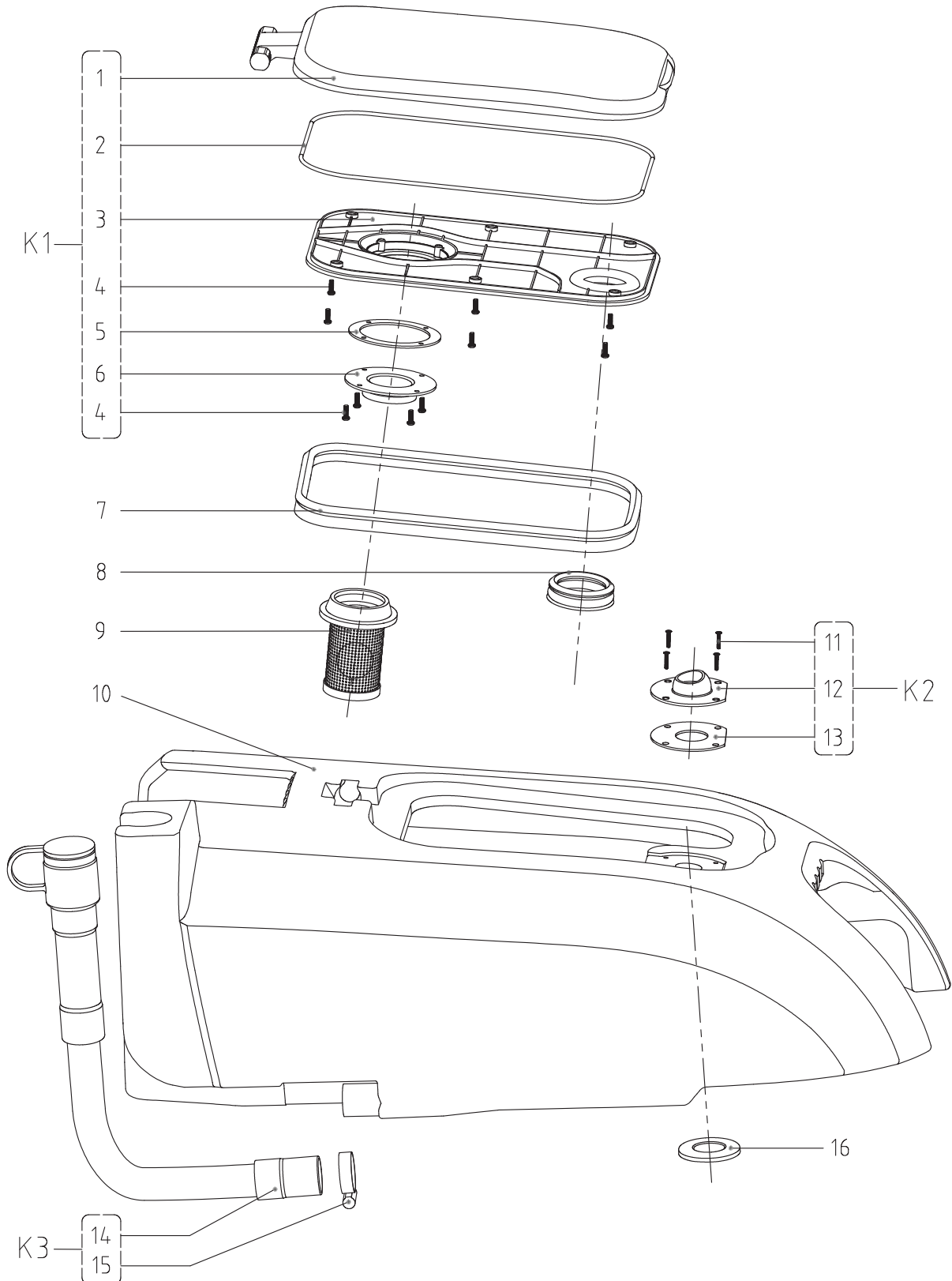
Pos.	Artikel-Nr.	Menge	Variante	Notes
1		1	HANDLE WITH MOUNTING BASE ASSEMBLY	[1]
2		1	RECOVERY TANK ASSEMBLY	[2]
3		1	SOLUTION TANK ASSEMBLY	[3]
4		1	CHASSIS ASSEMBLY	[4]
5		1	SQUEEGEE ASSEMBLY	[5]
6		1	BRUSH ASSEMBLY	[6]

Part Notes:

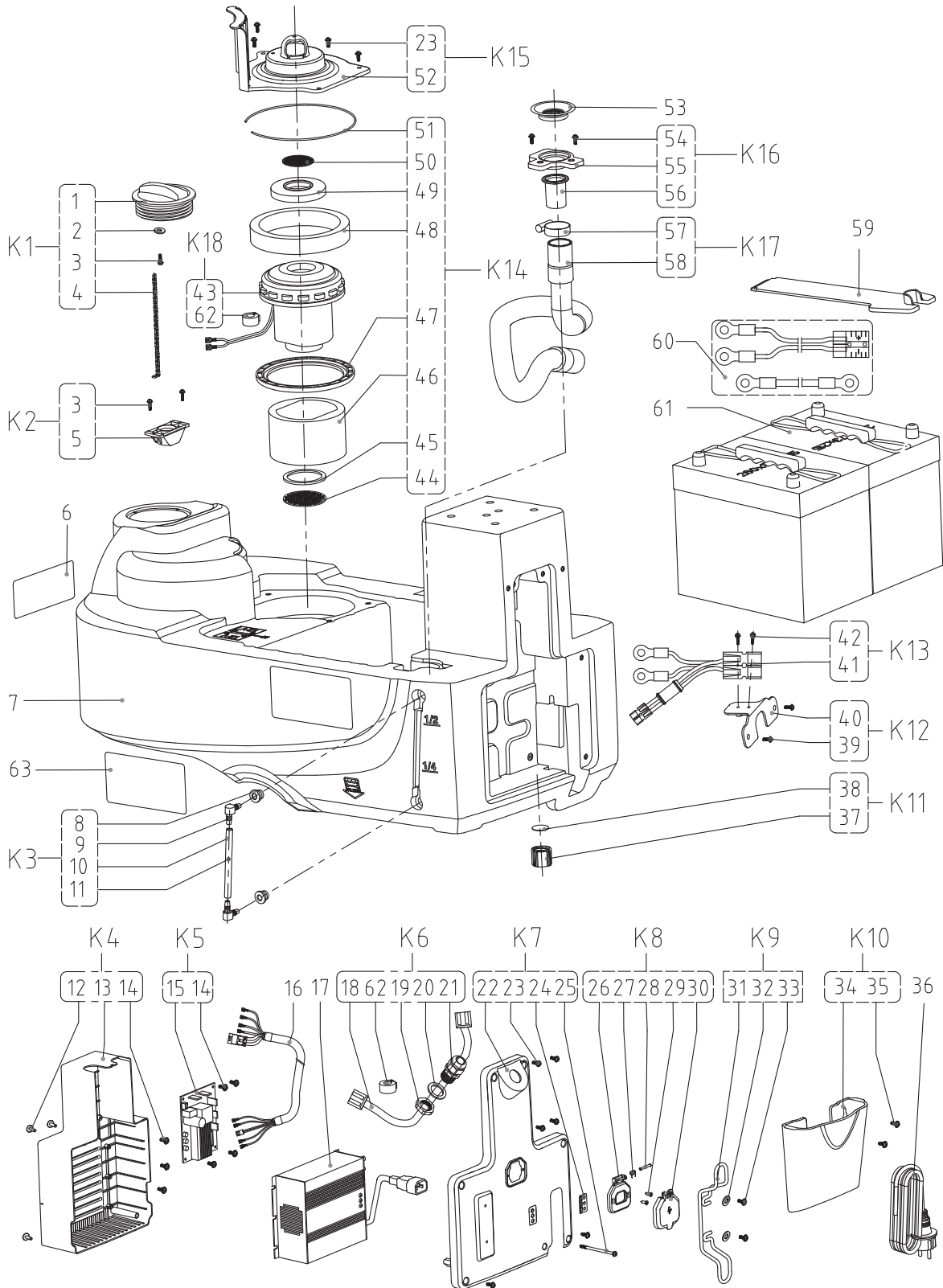
- [1] - Handle with mounting base
- [2] - Recovery tank
- [3] - Solution tank
- [4] - Chassis
- [5] - Squeegee
- [6] - Brush



Pos.	Artikel-Nr.	Menge	Variante	Notes
1		1	STICKER DROP GLUE	
2		1	FRONT COVER HANDLE	
3		1	RIGHT LEVER BRUSH SWITCH	
4		1	SPRING	
5	VF13544	5	SCREW ST4x10	
6		1	LEFT LEVER BRUSH SWITCH	
7		6	SCREW ST3X16MM	
8		1	MICRO SWITCH	
9		2	FIXING END OF PULLING ROD	
10	VS15133	1	ADJUST LEVER HANDLE	
11		2	LOCKWASHER	
12		1	PULLING ROD	
13		1	SPRING COMPRESSION	
14	VS15135	1	CONNECTION ROD	
15	VS15193	1	RACK	
16		1	CLAMP	
17		2	RUBBER SLEEVE SCREW ROD EDGE	
18		2	RUBBER SLEEVE SCREW ROD	
19		6	SCREW ROD M8	
20		4	WASHER OD15.7XID8.5XT1.5MM	
21	VS15142	2	DECORATION COVER HANDLE	
22		3	SCREW M5X20MM	
23		3	WASHER ID5XOD12XT1MM	
24	VS15144	1	RIGHT FIXING BASE HANDLE	
25		2	ANTI ABRATION CIRCLE	
26		2	INNER FIXING CIRCLE OF GEAR	
27	VS15192	1	GEAR	
28	VS15136	1	REAR COVER HANDLE	
29	VS15141	1	SEALING COVER HANDLE	
30		16	SCREW PB5X14MM	
31		2	WASHER Ø8MM	
32		1	CONNECTION PLATE OF FIXING BASE	
33		1	FIXING PLATE OF FIXING BASE	
34	VS15143	1	LEFT FIXING BASE HANDLE	
35		3	FIXING SCREW ROD OF GEAR	
36		1	CABLE FIXING BRACKET	
37	VS15025	1	DASH BOARD 24V AGM	
38		2	PCB FIXING PLATE	
39		2	WASHER	
40	VS15216	1	DECAL CONTROL PANEL BATTERY VERSION	
K1	VS15383	1	FRONT COVER HANDLE KIT	
K2	55942448	1	LEVER BRUSH SWITCH KIT	
K3	VV81063	1	MICRO SWITCH - ROLLER BRUSH AND PUMP KIT	
K4	VS15385	1	ADJUST LEVER HANDLE KIT	
K5	VS15386	1	CONNECTION ROD KIT	
K6	VA21517A	1	Klammer inkl. Schraube	
K7	VS15387	2	RUBBER SLEEVE SCREW ROD KIT	
K8	VS15388	1	RIGHT FIXING BASE KIT	
K9	VS15389	2	INNER FIXING CIRCLE OF GEAR KIT	
K10	VS15390	1	REAR COVER HANDLE KIT	
K11	VS15391	1	FIXING PLATE OF FIXING BASE KIT	
K12	VS15392	1	KIT LINKER SOCKEL	
K13	VS15393	1	CABLE FIXING BRACKET KIT	
K14	VS15394	1	HANDLE PCB KIT	
K15	55942503	1	HANDLE ASSEMBLY	

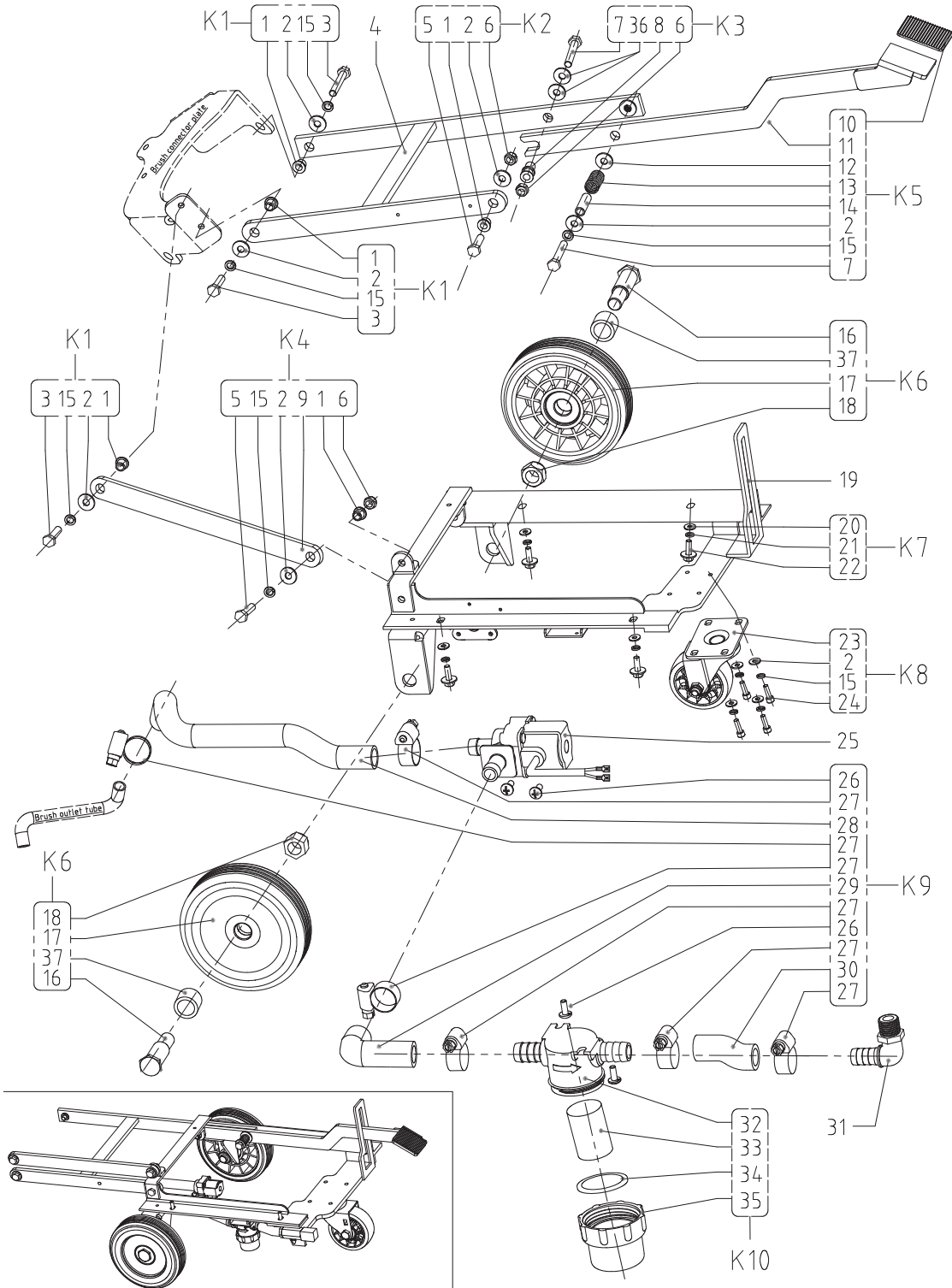


Pos.	Artikel-Nr.	Menge	Variante	Notes
1		1	RECOVERY TANK LID	
2		1	INNER GASKET OF RECOVERY TANK LID	
3		1	RECOVERY TANK LOWER LID	
4		10	SCREW ST4X12MM	
5		1	RUBBER GASKET OF ADAPTOR	
6		1	FLOAT CUP ADAPTOR	
7	55942443	1	GASKET OF RECOVERY TANK LID	
8	VS15226	1	SUCTION PORT ROUND GASKET	
9	VS15323	1	VACUUM GRID WITH AUTO SHUT-OFF FLOAT	
10	55942472	1	RECOVERY TANK 25L	
11		4	SCREW M4X12MM	
12		1	SUCTION PORT	
13		1	SUCTION PORT GASKET	
14		1	DRAIN HOSE	
15	VS15271	1	CLAMP 21-38MM SUS304	
16	VS15320	1	HIGH ELASTIC GASKET	
K1	55942446	1	RECOVERY TANK LID ASSEMBLY	
K2	VS15399	1	SUCTION PORT KIT	
K3	VS15400	1	DRAIN HOSE KIT	

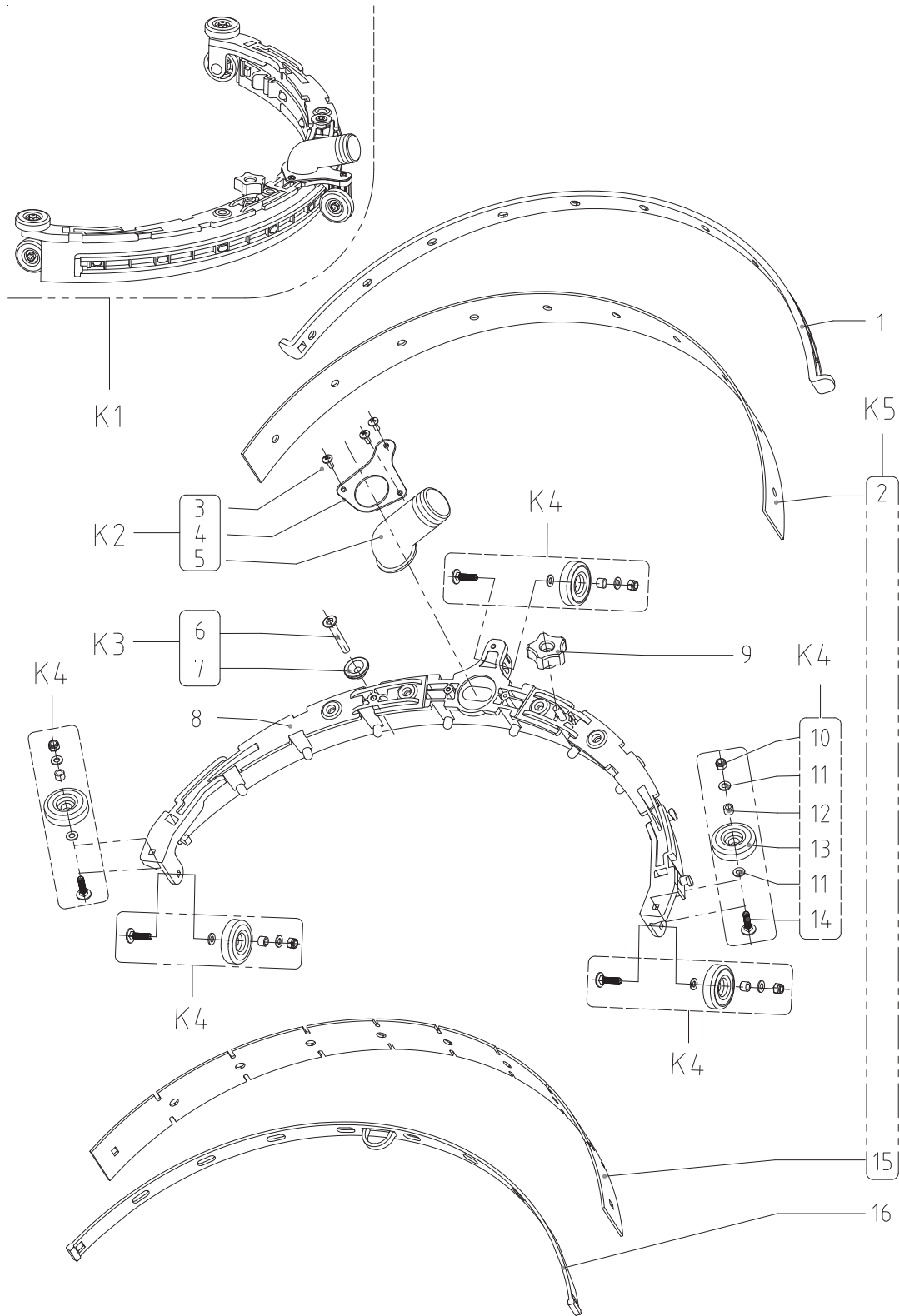


Pos.	Artikel-Nr.	Menge	Variante	Notes
1	55942469	1	SOLUTION COVER	
2		1	WASHER4X12X1MM	
3		3	SCREW TA3.5X12MM	
4		1	ZIPPER	
5		1	INLET PIPE FRAME	
6a	55942482	1	NILFISK LOGO LABEL	
6b	55942500	1	ADVANCE LOGO LABEL	
7	55942473	1	SOLUTION TANK 25L	
8		2	JOINTS GASKET	
9		2	ELBOW, 90°	
10		1	HOSE FRESH WATER LEVEL	
11		1	FLOATING BALL OF WATER LEVEL	
12		3	SCREW PB4.0X12MM	
13		1	MOUNTING BASE OF CHARGER	
14		9	SCREW PB4.0X10MM	
15	VS15026	1	CONTROLLER MAIN MACHINE	
16	VS15012	1	DC MAIN WIRE HARNESS	
17	VS15018	1	CHARGER 10A	
18		1	COMMUNICATION CABLE	
19		1	CABLE STRAIN RELIEF NUT	
20		1	GASKET	
21		1	CABLE STRAIN RELIEF	
22		1	CHARGE REAR COVER	
23		10	SCREW PWM4.0X12mm	
24	VS15459	1	CHARGING DISPLAY LABEL	
25		1	SCREW M4X70MM	
26		1	CHARGER SOCKET FIX	
27		1	SPRING	
28		1	PIN	
29		2	SCREW ST4.0X16MM	
30		1	CHARGER SOCKET COVER	
31		1	CABLE SUPPORT	
32		2	WASHER ID4.0XOD12X1MM	
33		2	SCREW ST4.0X16MM	
34		1	BACK ACCESSORY BOX	
35		2	SCREW WITH WASHER	
36a	VF89725	1	LADEGERÄT NETZKABEL EU-STECKER	
36b	VF89726	1	CHARGER POWER CABLE UK PLUG	
36c	VF89724	1	CHARGING CABLE FOR US 300V 16AWG	
37		1	SOLUTION OUTLET COVER	
38		1	GASKET	
39		2	SCREW M4.0X12MM	
40		1	BRACKET CHARGER PLUG	
41		1	HARNESS 24V INPUT	
42		2	SCREW ST3X16MM	
43	VS15003	1	Motor 24V 350W	
44		1	INTLET AIR FILTER GRIM	
45		1	INTLET AIR GASKET	
46		1	BOTTOM ACOUSTIC INSULATION PIPE	
47		1	MIDDLE GASKET	
48		1	UP ACOUSTIC INSULATION PIPE	
49		1	TOP GASKET MOTOR	
50		1	UP INLET AIR FILTER FRIM	
51		1	EVA GASKET	
52		1	VACUUM MOTOR COVER	
53	VS15240	1	DRAIN HOSE HORN GASKET	
54		2	SCREW M4.0X12MM	
55		1	BRACKET SUCTION HOSE	
56		1	CONNECTOR SOCKET SUCTION HOSE	

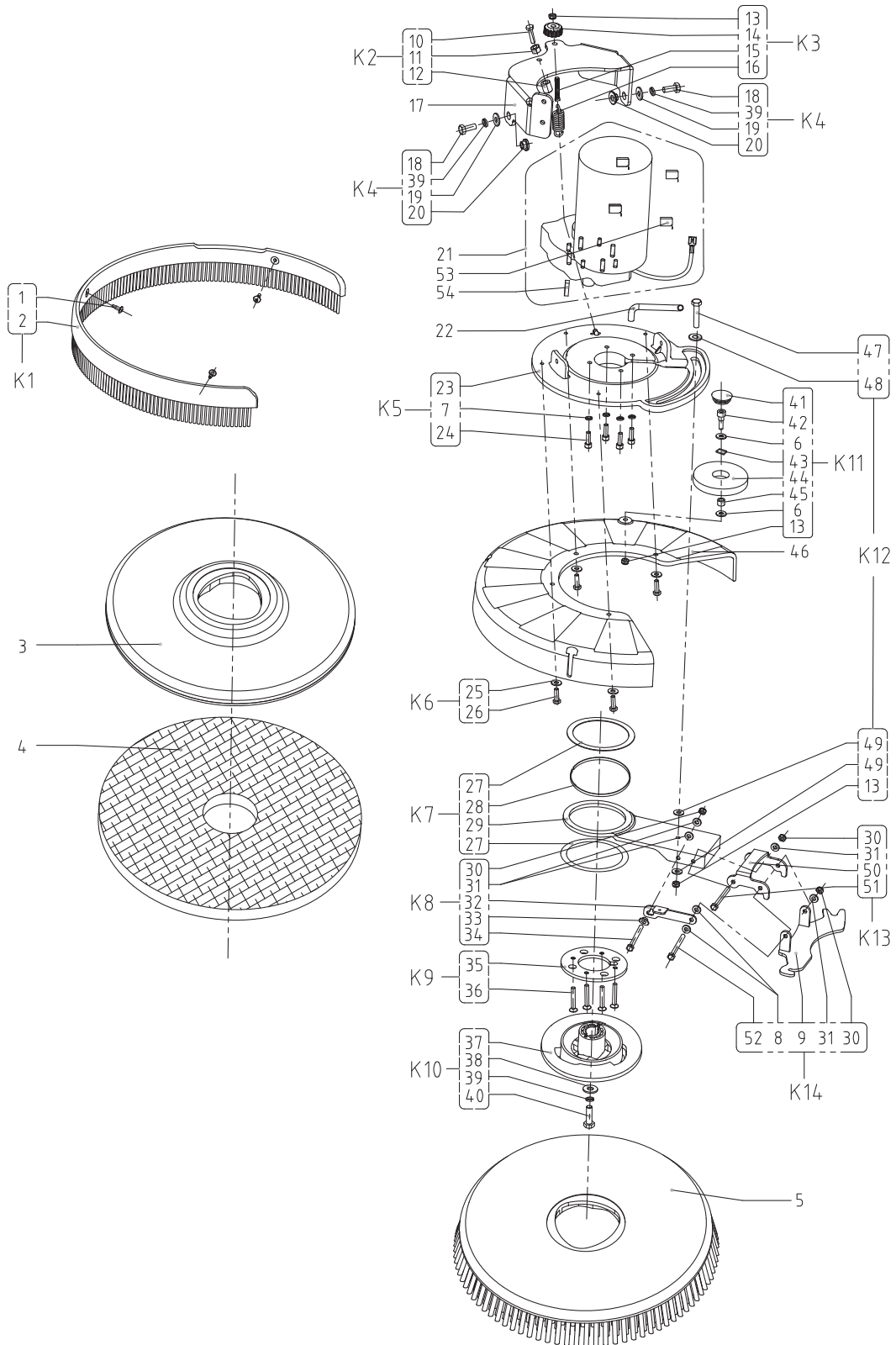
Pos.	Artikel-Nr.	Menge	Variante	Notes
57	VS15271	1	CLAMP 21-38MM SUS304	
58		1	SUCTION HOSE	
59	VS15248	1	CABLE COVER PLATE	
60	VS15009	1	Batterie-Verbindungen	
61		2	BATTERIES	
62		2	EMIFIL	
63a	55942483	1	DECAL NILFISK SC370 43B EU	
63b	55942501	1	DECAL ADVANCE SC370 17B US	
K1	55942447	1	SOLUTION COVER KIT	
K2	VS15402	1	INLET PIPE FRAME KIT	
K3	55942433	1	HOSE FRESH WATER LEVEL KIT	
K4	VS15404	1	MOUNTING BASE OF CHARGER KIT	
K5	VS15405	1	CONTROLLER MAIN MACHINE KIT	
K6	VS15406	1	MAIN CONNECTION CABLE KIT	
K7	VS15407	1	CHARGE REAR COVER KIT	
K8	VS10126	1	CHARGER SOKET KIT	
K9	VS15408	1	CABLE SUPPORT KIT	
K10*	VS15409	1	BACK ACCESSORY BOX KIT	
K11	VF89110A	1	KIT DRAIN WATER	
K12	VS15410	1	BRACKET CHARGER PLUG KIT	
K13	VS15411	1	HARNES 24V INPUT KIT	
K14	VS15412	1	GASKET VACUUM MOTOR KIT	
K15	VS15413	1	VACUUM MOTOR COVER KIT	
K16	VS15414	1	BRACKET SUCTION HOSE KIT	
K17	VS15415	1	SUCTION HOSE KIT	
K18	VS15381	1	VACUUM MOTOR 24V KIT	



Pos.	Artikel-Nr.	Menge	Variante	Notes
1		5	BUSHING	
2		10	WASHER	
3		3	SCREW M8X25MM	
4	VS15101	1	BRUSH LIFTING SUPPORT	
5		2	SCREW M8X30MM	
6		3	NUT M8	
7		2	SCREW M8X50MM	
8		1	STEPS BUSHING	
9	VS15102	1	FRONT PEDAL BRUSH LIFTING	
10	VS10613	1	PEDAL LEVER GASKET	
11	VS15103	1	BACK PEDAL BRUSH AND SQUEEGEE LIFTING	
12		1	WASHER Ø12X Ø24X2MM	
13		1	RESET SPRING	
14		1	BUSHING	
15		9	WASHER DIAMETER 8MM	
16		2	WHEEL SHAFT	
17	VS15430	2	WHEEL 6 INCH	
18		2	NUT M16	
19	VS15100	1	CHASSIS	
20		4	SPRING WASHER	
21		4	WASHER DIAMETER 6MM	
22		4	SCREW M6X20MM	
23	VS15327	1	3.5 INCH CASTER	
24		4	SCREW M8x20MM	
25	VS15021	1	24V DC SOLENOID VALVE KIT	
26		4	SCREW M4X10MM	
27	VV10114	6	Klammer	
28		1	HOSE Ø 20MM L400mm	
29		1	HOSE WITH SPRING L130mm	
30		1	OULET HOSE Ø20MM	
31	VF81403P	1	UNION ELBOW	
32		1	FILTER BASE	
33	VF90608	1	FILTER NET	
34	VF90607	1	O-RING	
35	VF90603	1	FILTER COVER	
36		2	PA WASHER	
37		2	BUSHING1	
K1	VS15422	3	SCREW KIT 1	
K2	VS15423	1	SCREW KIT 2	
K3	VS15424	1	FORNT PEDAL BRUSH LIFTING SCREW KIT	
K4	VS15425	1	SCREW KIT 3	
K5	VS15426	1	BACK PEDAL BRUSH LIFTING KIT	
K6	VS15427	2	WHEEL 6 INCH KIT	
K7	VS15428	1	SCREW KIT 4	
K8	VS15429	1	3.5 INCH CASTER KIT	
K9	VS15433	1	SOLUTION HOSE KIT	
K10	VF90621	1	WASSERFILTER	



Pos.	Artikel-Nr.	Menge	Variante	Notes
1	55942474	1	STRAP REAR	
2a		1	BLADE SQUEEGEE REAR NR	
2b*		1	BLADE SQUEEGEE REAR PU	
3		3	SCREW TM4X12MM	
4		1	RETAINER	
5	VS15160	1	BEND CONNECTOR	
6		1	SCREW 6X25MM	
7		1	STUD	
8	55942484	1	SQUEEGEE TOOL	
9	VS15159	1	SQUEEGEE KNOB	
10		5	NUT M5	
11		10	WASHER OD14.7XID5.5XT1.2MM	
12		5	SPACER	
13	VS15158	5	SQUEEGEE WHEEL	
14		5	SCREW M5X20MM	
15a		1	BLADE SQUEEGEE FRONT NR	
15b*		1	BLADE SQUEEGEE FRONT PU	
16	55942479	1	STRAP FRONT	
K1	55942502	1	SQUEEGEE ASSEMBLY	
K2	55942504	1	BEND CONNECTOR KIT	
K3	55942470	1	STUD KIT	
K4	VS15436	5	SQUEEGEE WHEEL KIT	
K5a	55942487	1	BLADE SQUEEGEE NR KIT	
K5b*	55942488	1	BLADE SQUEEGEE PU KIT	



Pos.	Artikel-Nr.	Menge	Variante	Notes
1		3	SCREW M4	
2		1	SKIRT DECK	
3	910000144	1	PAD HOLDER FLAT 17" 432MM	
4*		1	PAD 17 INCH	
5	9097469000	1	Bürste Prolene, hart, Ø 430 mm, 17"	
5*	9097581000	1	Bürste NATURFASER, 430 mm, 17"	
5*	9097580000	1	Bürste Prolite, weich, 432 mm, 17"	
5*	9097578000	1	Bürste Sica Grit 240, weich, 432 mm, 17"	
5*	9097579000	1	Bürste Mid Grit 180, 432 mm, 17"	
6		2	WASHER ID6XOD18XT1.5MM	
7		4	WASHER DIAMETER 6MM	
8		2	WASHER ID6XOD13X2MM	
9	VS15106	1	SQUEEGEE BRACKET	
10		1	SCREW M8X40MM	
11		1	NUT M8	
12	VF80241	1	GASKET	
13		3	NUT M6	
14	VP11007	1	ADJUSTABLE NUT	
15		1	SCREW	
16		1	SPRING	
17	VS15104	1	BRACKET BRUSH MOTOR	
18		2	SCREW M8X25MM	
19		2	WASHER ID8XOD20XT2MM	
20		2	SPACER	
21	VS15032	1	BRUSH MOTOR 24V DC	
22	VS15111	1	INLET TUBE	
23		1	MOTOR FIXING PLATE	
24		4	SCREW M6X20MM	
25		4	WASHER ID6XOD15XT1.5MM	
26		4	SCREW M6X20MM	
27	VS15154	2	WEAR RESISTANT WASHER	
28	VS15329	1	ROTATION CIRCLE	
29	VS15155	1	SQUEEGEE ROTATION ARM	
30		3	NUT M5	
31		4	WASHER ID5XOD10XT1.0MM	
32	VS15112	1	LIFTING HANDLE FOR SQUEEGEE	
33		1	SPACER	
34		1	SCREW Ø6XM5X104MM	
35		1	SQUEEGEE TRAY	
36		4	SCREW M6x16MM	
37	55942444	1	HUB	
38		1	WASHER ID8.4XOD28XT2MM	
39		3	WASHER DIAMETER 8MM	
40		1	SCREW M8x16MM	
41	VF85128	1	BLACK CAP	
42		1	SCREW M6X25MM	
43		1	LOCKWASHER	
44		1	ROLLER BUMPER	
45		1	SPACER	
46	VS15156	1	BRUSH DECK	
47		1	SCREW M6	
48		1	WASHER	
49		2	WASHER ID6XOD22X1.5MM	
50	VS15105	1	SQUEEGEE CONNECTION FRAME	
51		1	SCREW Ø6XM5X96.5MM	
52		1	SCREW Ø6XM5X114MM	
53	VF89116	4	KOHLEBÜRSTEN-SET	
54	VR14003	1	KEY	
K1	VS15439	1	SKIRT BRISTLE KIT	

Pos.	Artikel-Nr.	Menge	Variante	Notes
K2	VS15442	1	REGULATING FULCRUM KIT	
K3	VS15443	1	STRAIGHT ADJUSTING KNOB KIT	
K4	VS15444	2	SCREW KIT1	
K5	VS15445	1	MOTOR FIXING PLATE KIT	
K6	VS15446	1	SCREW KIT2	
K7	VS15447	1	SQUEEGEE ROTATION ARM KIT	
K8	VS15448	1	LIFTING HANDLE FOR SQUEEGEE KIT	
K9	VS15449	1	SQUEEGEE TRAY KIT	
K10	55942471	1	HUB KIT	
K11	VS15455	1	ROLLER BUMPER KIT	
K12	VS15451	1	SCREW KIT3	
K13	VS15452	1	SQUEEGEE CONNECTION FRAME KIT	
K14	VS15453	1	SQUEEGEE BRACKET KIT	

WEAR AND TEAR PARTS

Pos.	Artikel-Nr.	Menge	Variante	Notes
1	55942448	1	LEVER BRUSH SWITCH KIT	
2	VV81063	1	MICRO SWITCH - ROLLER BRUSH AND PUMP KIT	
3	VS15133	1	ADJUST LEVER HANDLE	
4	VS15192	1	GEAR	
5	VS15025	1	DASH BOARD 24V AGM	
6	VS15386	1	CONNECTION ROD KIT	
7	55942443	1	GASKET OF RECOVERY TANK LID	
8	VS15323	1	VACUUM GRID WITH AUTO SHUT-OFF FLOAT	
9	VS15400	1	DRAIN HOSE KIT	
10	VS15026	1	CONTROLLER MAIN MACHINE	
11	VS15018	1	CHARGER 10A	
12a	VF89725	1	LADEGERÄT NETZKABEL EU-STECKER	
12b	VF89726	1	CHARGER POWER CABLE UK PLUG	
12c	VF89724	1	CHARGING CABLE FOR US 300V 16AWG	
13	VS15003	1	Motor 24V 350W	
14	55942433	1	HOSE FRESH WATER LEVEL KIT	
15	VF89110A	1	KIT DRAIN WATER	
16	VS15415	1	SUCTION HOSE KIT	
17	VS15430	1	WHEEL 6 INCH	
18	VS15327	1	3.5 INCH CASTER	
19	VS15021	1	24V DC SOLENOID VALVE KIT	
20	VF90621	1	WASSERFILTER	
21	55942487	1	BLADE SQUEEGEE NR KIT	
22	VS15160	1	BEND CONNECTOR	
23	VS15159	1	SQUEEGEE KNOB	
24	VS15436	5	SQUEEGEE WHEEL KIT	
25	55942479	1	STRAP FRONT	
26	55942474	1	STRAP REAR	
27	55942444	1	HUB	
28	VS15032	1	BRUSH MOTOR 24V DC	
29	VF89116	4	KOHLEBÜRSTEN-SET	
30	VR14003	1	KEY	

Pos.	Artikel-Nr.	Menge	Variante	Notes
BAT	VF90223	2	BATTERY 12V 85Ah/20h	
CH	VS15018	1	CHARGER 10A	
EB1	VS15026	1	CONTROLLER MAIN MACHINE	
EB2	VS15025	1	DASH BOARD 24V AGM	
M1	VS15032	1	BRUSH MOTOR 24V DC	
M2	VS15003	1	Motor 24V 350W	
EV	VS15021	1	24V DC SOLENOID VALVE KIT	
SW	VV81432	1	MICRO SWITCH	

