



So finden Sie Ihr gewünschtes Ersatzteil / Zubehör:

In dieser Ersatzteilliste finden Sie die Artikelnummer Ihres gesuchten Produkts. **Bitte geben Sie diese Artikelnummer in das „Suche“-Feld unseres Shops ein.**

Als Ergebnis wird Ihnen der Artikel mit Preis angezeigt und Sie können diesen bei Gefallen in den Warenkorb legen.

Sollten Sie das gesuchte Zubehör oder Ersatzteil nicht finden, helfen wir Ihnen gerne weiter.

Rufen Sie uns einfach an. Halten Sie bitte den Maschinentyp und das exakte Baujahr des Gerätes bereit:

Tel.: +49 (0) 7303 901 980

Robe Reinigungsmaschinen GmbH



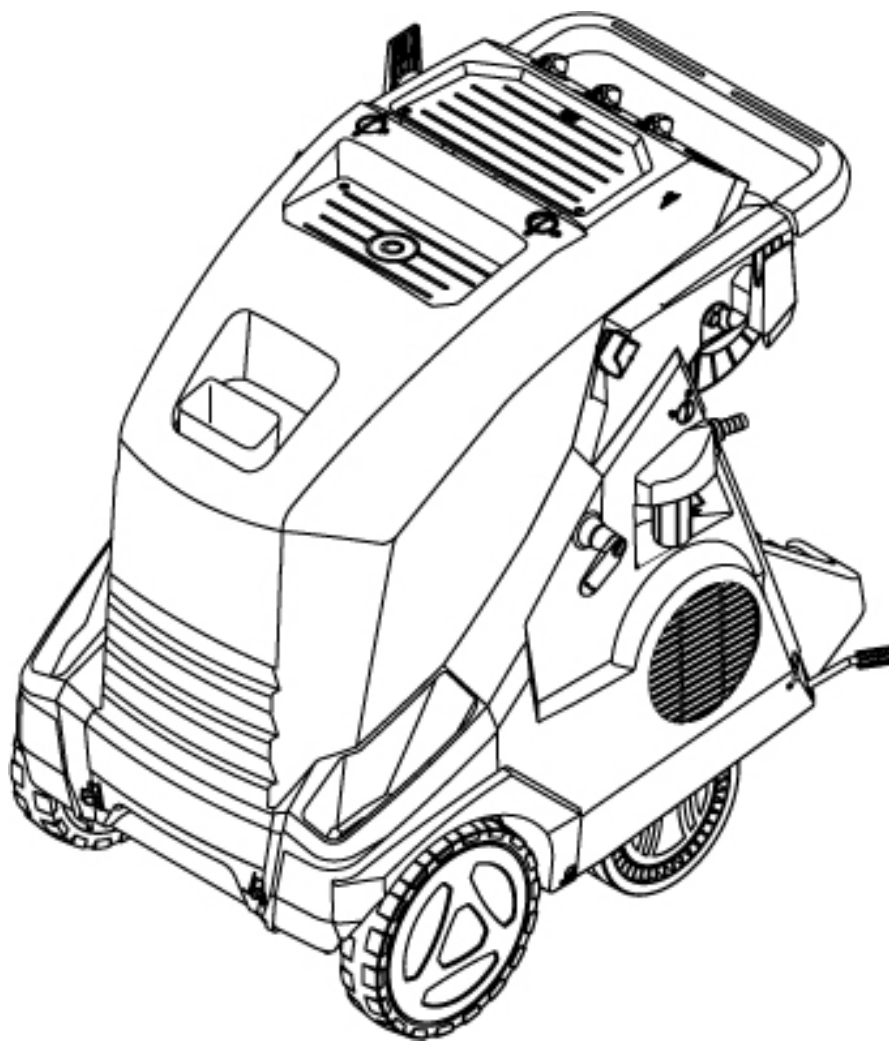
Hotline: 0 73 03 / 901 980

Zur Aumühle 36 | 89257 Illertissen
Tel.: 0 73 03 / 901 980 | Fax 0 73 03 / 901 981 8
info@wap-nilfisk-alto-shop.de

www.wap-nilfisk-alto-shop.de

Weiterblättern zur Ersatzteilliste 

PARTS LIST



2024.09.11

NILFISK

TABLE OF CONTENTS

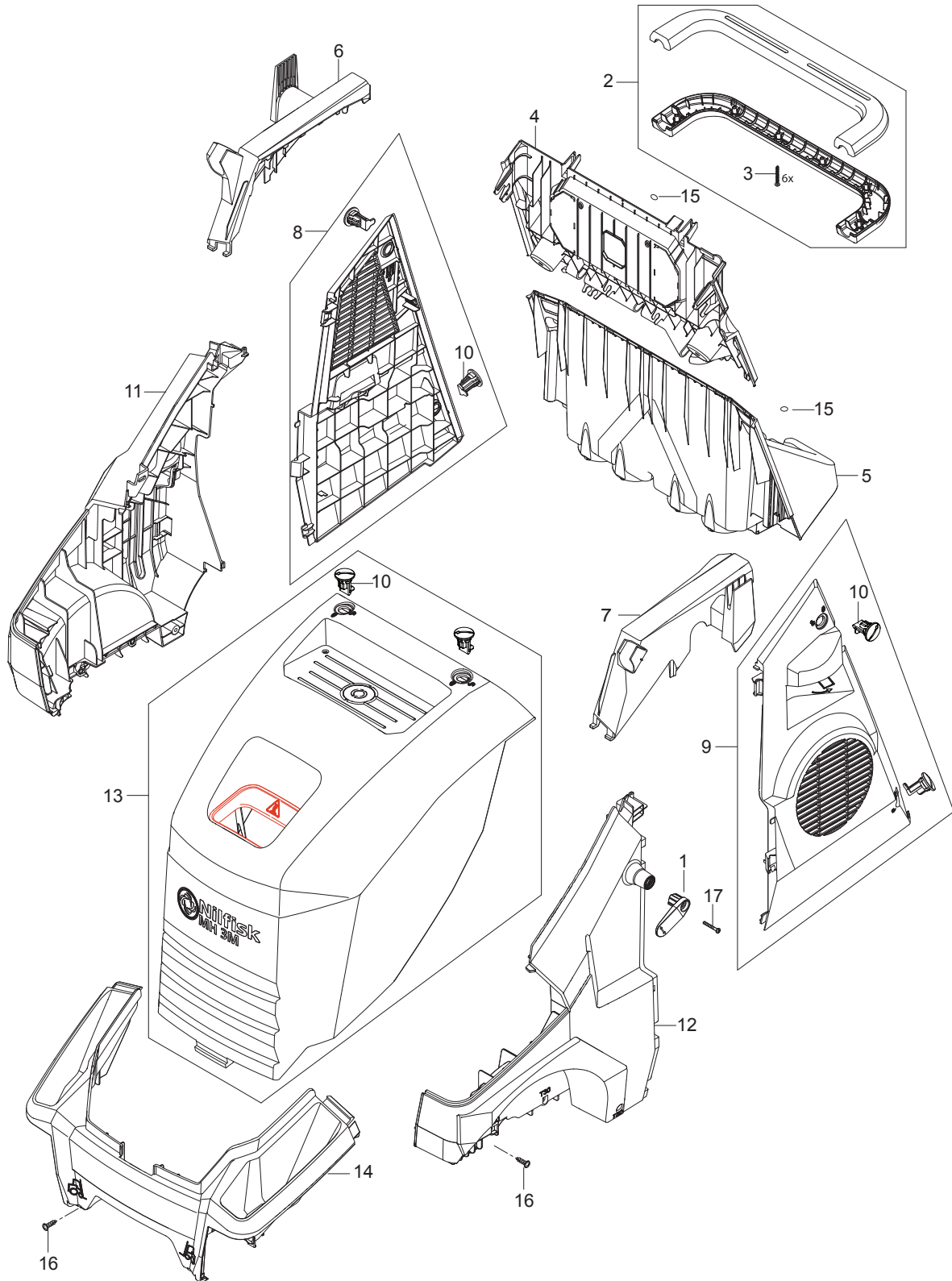
| | |
|--|----|
| Cabinet..... | 1 |
| Chassis..... | 3 |
| 1x detergent..... | 5 |
| Anti-scale..... | 7 |
| Boiler b2..... | 9 |
| Burner unit..... | 11 |
| Cables and wires..... | 13 |
| Electric box..... | 15 |
| Fan..... | 18 |
| Flow control PA..... | 20 |
| Fuel tank..... | 22 |
| Motor with el-box 1ph..... | 24 |
| Pump_with easy start - without injector..... | 26 |
| Water break tank..... | 29 |
| Water inlet_PA..... | 31 |
| Recommended spare parts..... | 33 |
| Default accessories..... | 36 |



Hotline: 0 73 03 / 901 980

Zur Aumühle 36 | 89257 Illertissen
Tel.: 0 73 03 / 901 980 | Fax 0 73 03 / 901 981 8
info@wap-nilfisk-alto-shop.de

www.wap-nilfisk-alto-shop.de

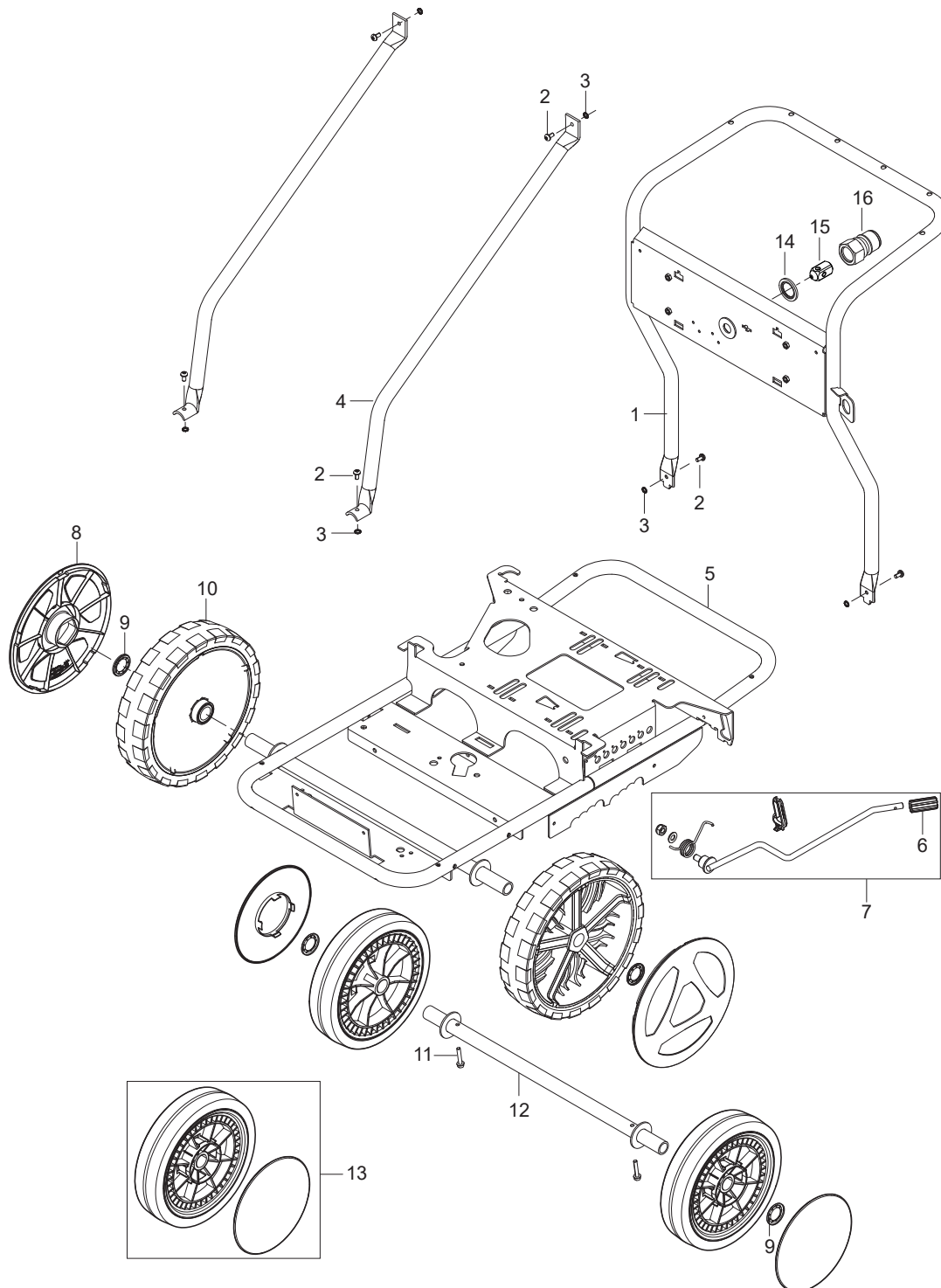


| Pos. | Artikel-Nr. | Menge | Variante | Notes |
|------|-------------|-------|--|-------|
| 1 | 107143025 | 1 | CABLE HOOK CLAMP BLUE | |
| 2 | 101118192 | 1 | HANDLE KIT | |
| 3 | 909100148 | 6 | Ejotschraube K40x30 WN 14 | |
| 4 | 107143013 | 1 | REAR END TOP | |
| 5 | 107143014 | 1 | REAR END BOTTOM | |
| 6 | 107143021 | 1 | COVERING FOR HANDLE RIGHT | |
| 7 | 107143022 | 1 | COVERING FOR HANDLE LEFT | |
| 8 | 107143024 | 1 | DOOR W/LOCKS MPU NA4 RIGHT | |
| 9 | 107143019 | 1 | DOOR LEFT W/LOCKS | |
| 10 | 301001261 | 6 | Verriegelung | |
| 11 | 107143012 | 1 | SIDE BUMPER SMALL RIGHT | |
| 12 | 107143011 | 1 | SIDE BUMPER SMALL LEFT | |
| 13 | 101118193 | 1 | CABINET MH 3M NILFISK KIT | |
| 14 | 107143015 | 1 | FRONT BUMPER | |
| 15 | 107143009 | 6 | BLIND PLUG D16.5 FOR T30 BLACK PE | |
| 16 | 107143018 | 6 | SCREW M6X16 | |
| 17 | 107141838 | 11 | SCHRAUBE K50X18 WN1451 SCHWARZ TORX 20 | |



Hotline: 0 73 03 / 901 980

Zur Aumühle 36 | 89257 Illertissen
 Tel.: 0 73 03 / 901 980 | Fax 0 73 03 / 901 981 8
 info@wap-nilfisk-alto-shop.de

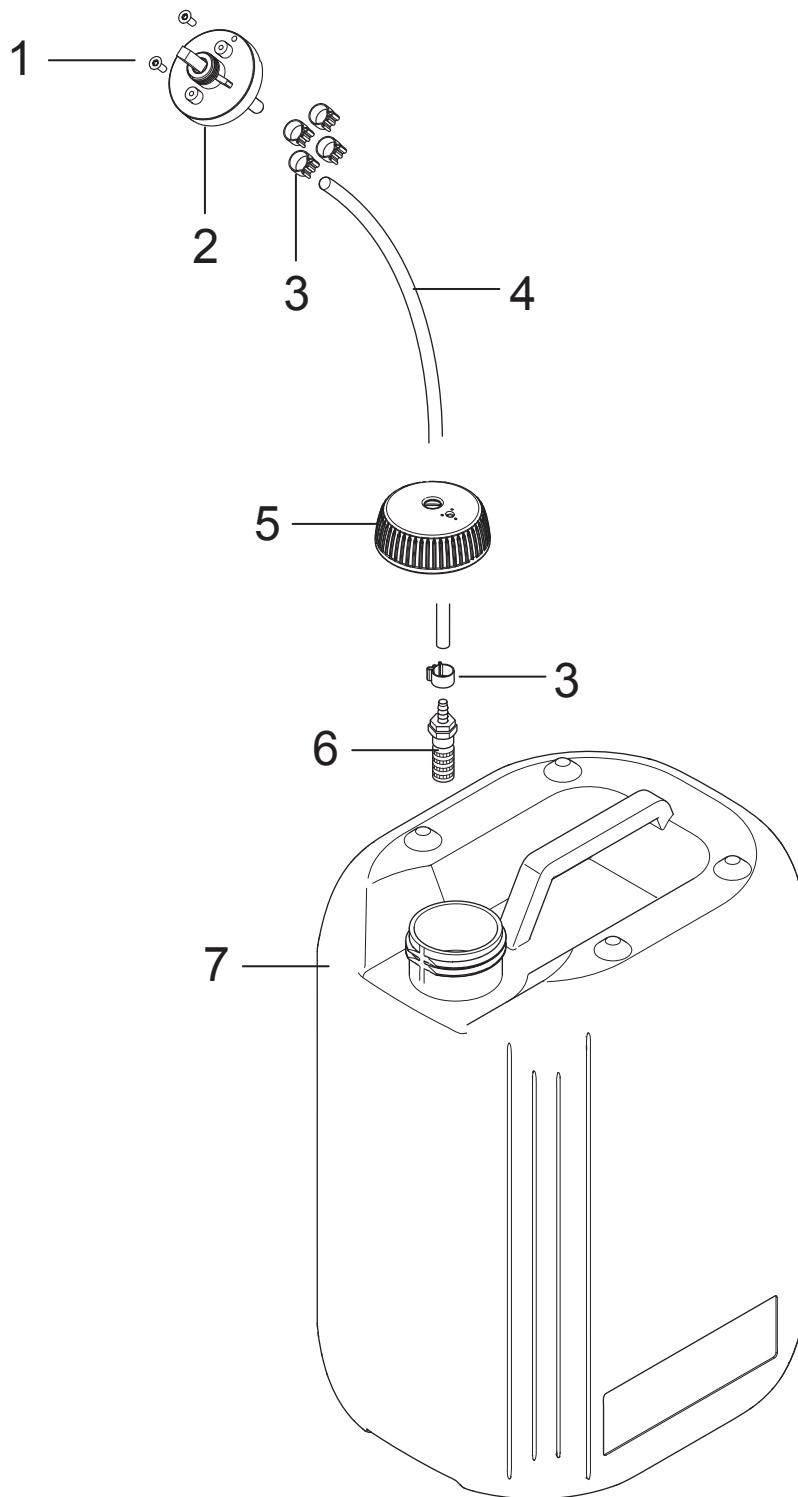


| Pos. | Artikel-Nr. | Menge | Variante | Notes |
|------|-------------|-------|-------------------------------|-------|
| 1 | 31001031 | 1 | FRAME HANDLE | |
| 2 | 107143018 | 6 | SCREW M6X16 | |
| 3 | 107143146 | 6 | WASHER SERRATED M6 | |
| 4 | 31001032 | 2 | HANDLE STIFFENER SHORT | |
| 5 | 31001033 | 1 | FRAME SHORT | |
| 6 | 107143028 | 1 | BRAKE KNOB | |
| 7 | 101118180 | 1 | BRAKE ARM SHORT KIT | |
| 8 | 107145780 | 2 | RADKAPPE FUER RAD Ø300X65 | |
| 9 | 46363 | 4 | Klemmscheibe | |
| 10 | 107145637 | 2 | RAD D300X65 (STARCO) | |
| 11 | 107143027 | 2 | SCREW M6X35 SW10 DIN7500D FZB | |
| 12 | 31001034 | 1 | WHEEL AXLE REAR | |
| 13 | 107143304 | 2 | Rad D250 mit Abdeckung | |
| 14 | 1801075 | 1 | Dichtring | |
| 15 | 107143066 | 1 | PISTON | |
| 16 | 1600493 | 1 | Anschlussstück | |



Hotline: 0 73 03 / 901 980

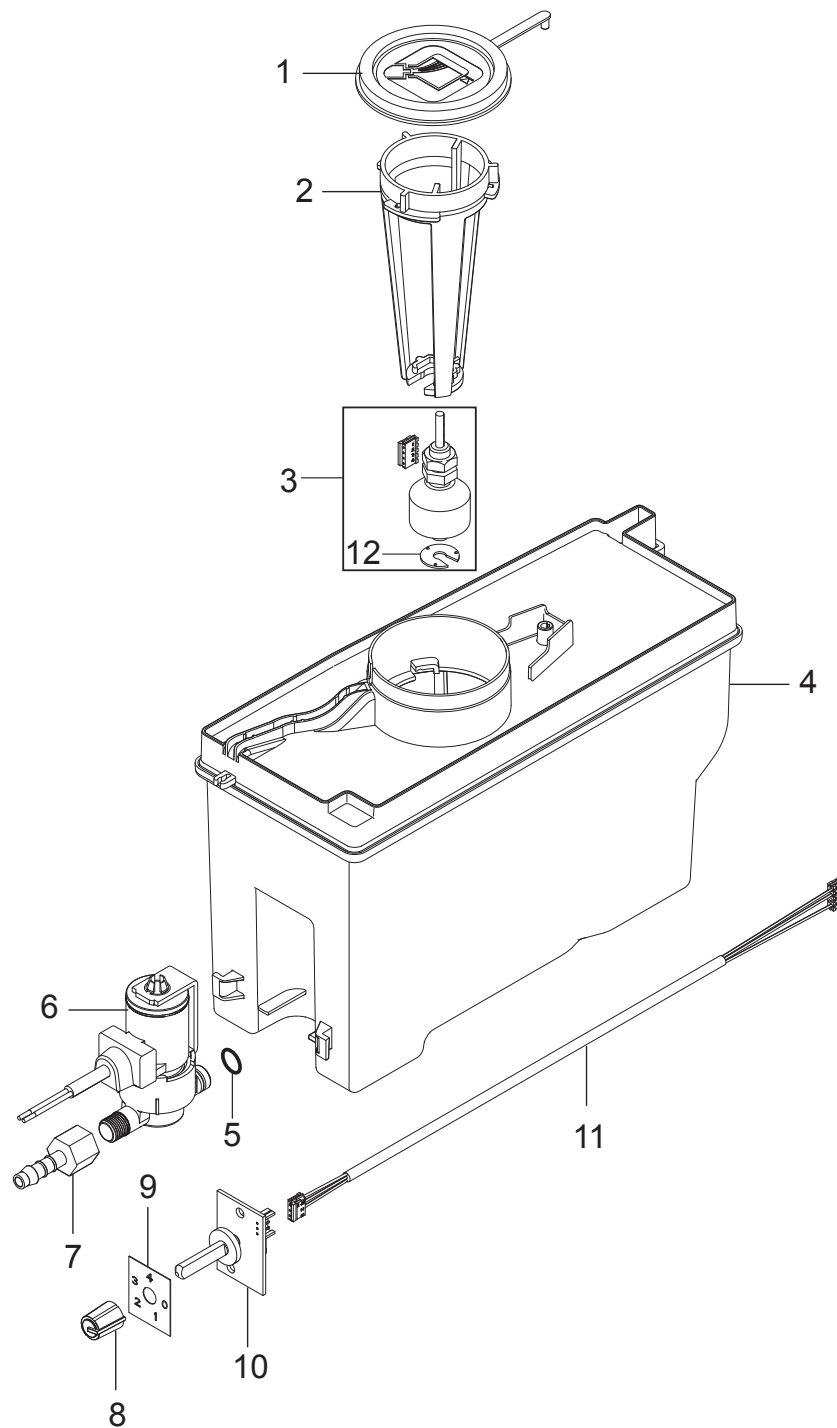
Zur Aumühle 36 | 89257 Illertissen
 Tel.: 0 73 03 / 901 980 | Fax 0 73 03 / 901 981 8
 info@wap-nilfisk-alto-shop.de



| Pos. | Artikel-Nr. | Menge | Variante | Notes |
|------|-------------|-------|-------------------------------------|-------|
| 1 | 1814730 | 2 | Schraube 3,5x10 | |
| 2 | 301001000 | 1 | Ventil | |
| 3 | 301001133 | 8 | Schlauchklemme 10/7 | |
| 4 | 106408243 | 1 | HOSE 1/4INCH TRANSPARENT - 5 METERS | |
| 5 | 107141664 | 2 | Deckel | |
| 6 | 107145440 | 2 | Sieb Ventil Komplettsset | |
| 7 | 80518 | 1 | Behälter | |

**Hotline: 0 73 03 / 901 980**

Zur Aumühle 36 | 89257 Illertissen
Tel.: 0 73 03 / 901 980 | Fax 0 73 03 / 901 981 8
info@wap-nilfisk-alto-shop.de



| Pos. | Artikel-Nr. | Menge | Variante | Notes |
|------|-------------|-------|-----------------------------------|-------|
| 1 | 45646 | 1 | Deckel | |
| 2 | 107143040 | 1 | LEVELSENSOR BRACKET FOR ANTISCALE | |
| 3 | 101118214 | 1 | FLOAT SWITCH KIT | |
| 4 | 107143041 | 1 | ANTISCALE TANK CPL. | |
| 5 | 31001036 | 1 | O-RING 6X2 NBR 70SH | |
| 6 | 107143037 | 1 | DOSING VALVE RPE 24VAC | |
| 7 | 107143036 | 1 | HOSE FITTING D6X1/8 PA | |
| 8 | 107318222 | 1 | PUSH-ON KNOB 11MM/6MMD/WH | |
| 9 | 107143042 | 1 | LABEL FOR ANTISCALE | |
| 10 | 101117780 | 1 | PCB FOR POTENTIONMETER | |
| 11 | 107143038 | 1 | CABLE FOR ADJUSTMENT ANTI SCALE | |
| 12 | 107142593 | 1 | HOLDING WASHER PE | [1] |

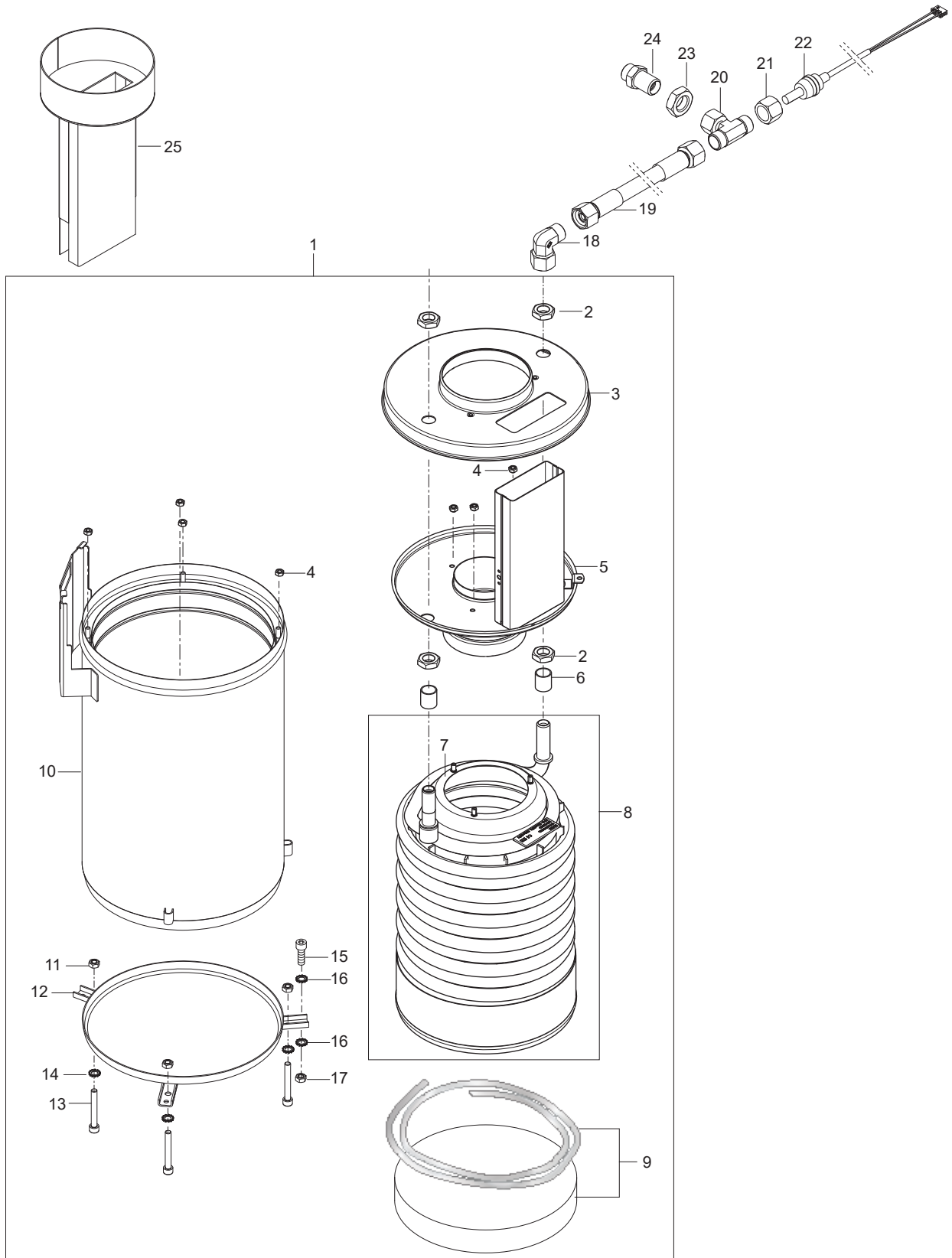
Part Notes:

- [1] - TSB-PPW-2016-017 Locking ring for oil level switch falling off



Hotline: 0 73 03 / 901 980

Zur Aumühle 36 | 89257 Illertissen
 Tel.: 0 73 03 / 901 980 | Fax 0 73 03 / 901 981 8
 info@wap-nilfisk-alto-shop.de



Hotline: 0 73 03 / 901 980


Zur Aumühle 36 | 89257 Illertissen
Tel.: 0 73 03 / 901 980 | Fax 0 73 03 / 901 981 8
info@wap-nilfisk-alto-shop.de

www.wap-nilfisk-alto-shop.de

| Pos. | Artikel-Nr. | Menge | Variante | Notes |
|------|-------------|-------|--------------------------------------|-------|
| 1 | 107143104 | 1 | HEAT EXCHANGER B2, MH | |
| 1 | 107143106 | 1 | HEAT EXCHANGER B2 SS, MH | [1] |
| 2 | 7012 | 4 | Mutter 6kt M18x1,5 | |
| 3 | 101117768 | 1 | Brennerdeckel au en | |
| 4 | 12263 | 4 | Sechskantmutter M6 | |
| 5 | 31001045 | 1 | INSIDE BOILER TOP B2 | |
| 6 | 301000582 | 2 | Hülse | |
| 7 | 31000527 | 1 | Abschirmkegel FÜR KESSEL | |
| 8 | 31001046 | 1 | COIL WELDED B2 | |
| 8 | 107143303 | 1 | COIL B2 SS, MH | [2] |
| 9 | 101117684 | 1 | Isolation kit Neptune 2 | |
| 10 | 31001047 | 1 | BOILER JACKET B2 | |
| 11 | 2758 | 3 | Sechskantmutter M8 DIN 934 zn | |
| 12 | 31001044 | 1 | BOTTOM PLATE WELDED B2/2.5 | |
| 13 | 3453 | 3 | Sechskantschraube M8x60 | |
| 14 | 1810274 | 3 | Fächerscheibe 8,2 -J- DIN 6798 VA | |
| 15 | 4697 | 3 | Zylinderschraube M6x16 | |
| 16 | 107143146 | 6 | WASHER SERRATED M6 | |
| 17 | 11619 | 3 | Sechskantmutter M6 ISO7042 A2K | |
| 18 | 101118094 | 1 | Kupplungssatz 90D ISO | |
| 19 | 107143067 | 1 | HP HOSE 5/16 DN8 BLACK W/2X DKL | |
| 20 | 101118093 | 1 | Verbindungsstück | |
| 21 | 1081 | 1 | Überwurfmutter DIN 3870-A L 12 St/zn | |
| 22 | 107143083 | 1 | TEMPERATUR SENSOR PT100 W/CABLE | |
| 23 | 1803220 | 1 | Mutter M18x1,5 I | |
| 24 | 107143082 | 1 | OUTLET FITTING | |
| 25 | 106403197 | 1 | CHIMNEY ADAPTOR B2/B2.5 ACCESSORY | |

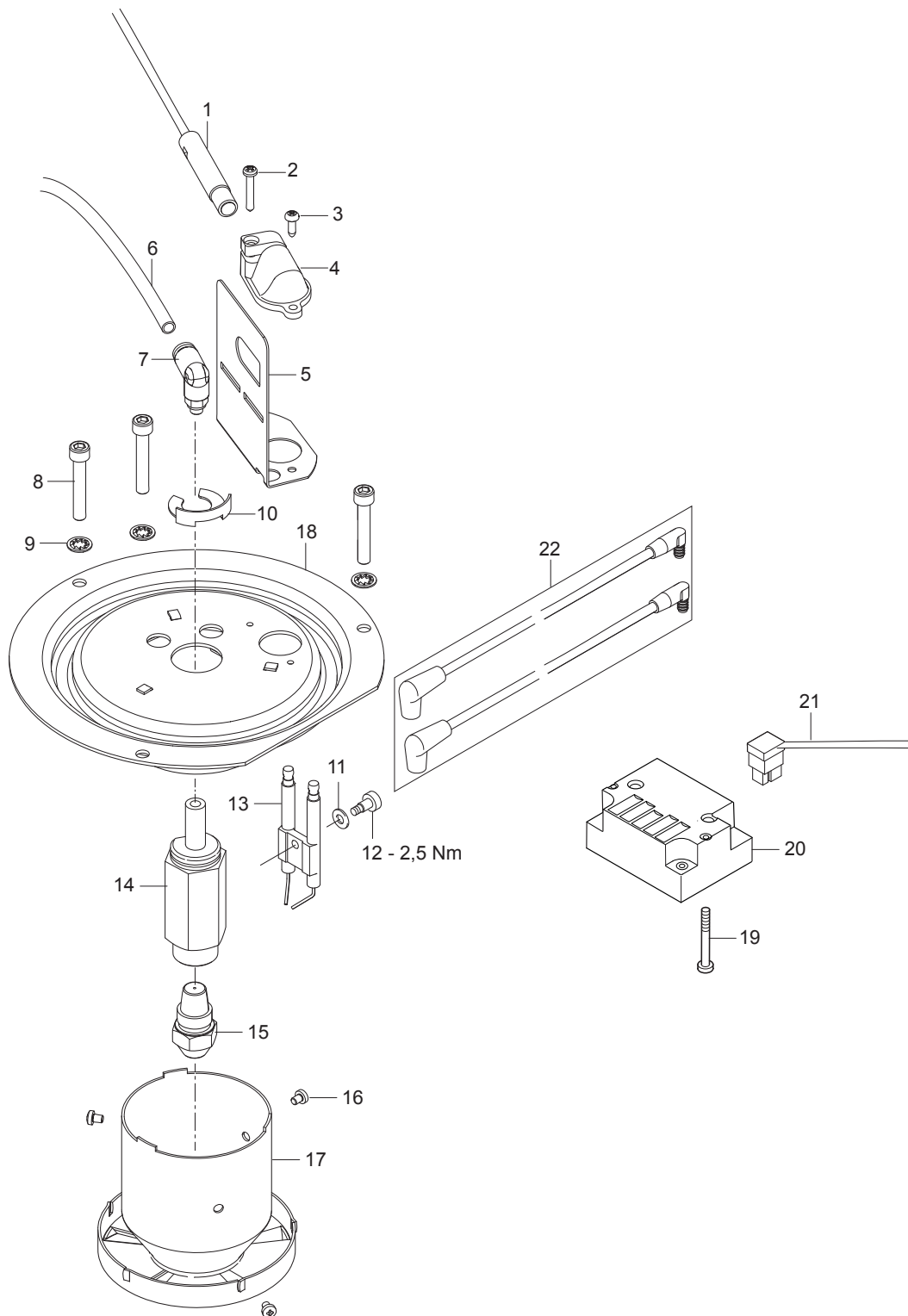
Part Notes:

- [1] - NO LONGER AVAILABLE
- [2] - TSB-PPW-2017-011 Stainless Steel heat exchangers new stay material and new spare part numbers



Hotline: 0 73 03 / 901 980

Zur Aumühle 36 | 89257 Illertissen
Tel.: 0 73 03 / 901 980 | Fax 0 73 03 / 901 981 8
info@wap-nilfisk-alto-shop.de



ROBE Reinigungsmaschinen **Hotline: 0 73 03 / 901 980**
Zur Aumühle 36 | 89257 Illertissen
Tel.: 0 73 03 / 901 980 | Fax 0 73 03 / 901 981 8
info@wap-nilfisk-alto-shop.de
www.wap-nilfisk-alto-shop.de

| Pos. | Artikel-Nr. | Menge | Variante | Notes |
|------|-------------|-------|-----------------------------------|-------|
| 1 | 107143100 | 1 | FLAME SENSOR WITH CABLE | |
| 2 | 5606 | 1 | Blechschaube 2,9x19 | |
| 3 | 4036 | 1 | Blechschaube 2,9x9,5 | |
| 4 | 301000934 | 1 | Halter | |
| 5 | 107143101 | 1 | SHIELD FOR FLAME SENSOR | |
| 6 | 909100141 | 1 | Brennstoffleitung 4x1 mm x 1 m | |
| 7 | 101117913 | 1 | Winkerverschraubung | |
| 8 | 3873 | 3 | Schraube M5x30 | |
| 9 | 3376 | 3 | Fächerscheibe 5,3 -A- DIN 6798 VA | |
| 10 | 101117876 | 1 | Sicherungsring | |
| 11 | 909100144 | 1 | Federscheibe B5 | |
| 12 | 909100143 | 1 | Schraube M4x4,5 | |
| 13 | 301150009 | 1 | Elektrode | |
| 14 | 101117915 | 1 | Düsenstock | |
| 15 | 301002856 | 1 | Öldüse 0,75 / 60 | [1] |
| 16 | 51848 | 3 | Linsenschraube M3x 4 DIN 7985 zn | |
| 17 | 301002848 | 1 | Stauscheibe | |
| 18 | 101117757 | 1 | Abdeckung Brenner komplet | |
| 19 | 909100149 | 2 | Ejotschraube K50x50 WN 14 | |
| 20 | 101117759 | 1 | Zündtransformator 220-240 | [2] |
| 20 | 101117959 | 1 | COFI TRH2-30CU VD 120V 50/60HZ | [3] |
| 21 | 107143098 | 1 | PRIMARY CABLE FOR IGNITION COIL | |
| 22 | 101118220 | 1 | 2 X IGNITION CORDS KIT | |

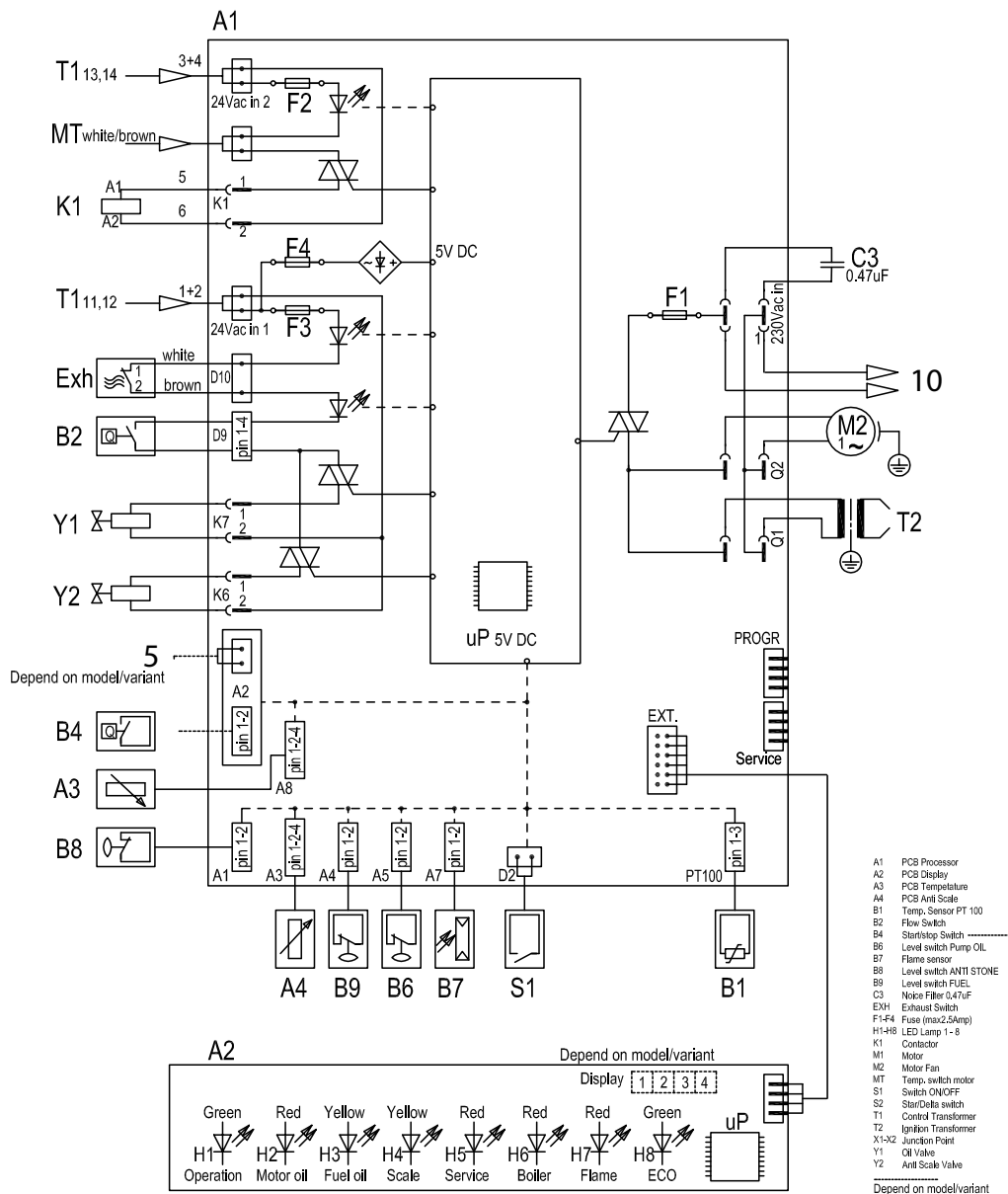
Part Notes:

- [1] - 42kW
MH 3C: Machine no. 107146880, 107146881, 107146882, 107146884, 107146889
MH 3M: Machine no. 107146895, 107146896, 107146897, 107146902
- [2] - TSB-PPW-2018-004 Boiler cannot start - no ignition
FR TSB-PPW-2018-004 Le bruleur ne démarre plus
DE TSB-PPW-2018-004 Brenner startet nicht - keine Zündung
- [3] - US



Hotline: 0 73 03 / 901 980

Zur Aumühle 36 | 89257 Illertissen
Tel.: 0 73 03 / 901 980 | Fax 0 73 03 / 901 981 8
info@wap-nilfisk-alto-shop.de



| Pos. | Artikel-Nr. | Menge | Variante | Notes |
|------|-------------|-------|--|-------|
| T1 | 107143052 | 2 | CABLE FOR POWER TRANSFORMER SEC 6X0.75 | |
| MT | 107143070 | 1 | CABLE FOR MT | [1] |
| MT | 107143057 | 1 | CABLE FOR RELAY | [2] |
| MT | 107143081 | 1 | CABLE FOR MT MH3 | [3] |
| K1 | 107143052 | 1 | CABLE FOR POWER TRANSFORMER SEC 6X0.75 | |
| Exh | 107143055 | 1 | CABLE FOR HOT WATER MODE AND EXH. SWITCH | |
| B2 | 107143121 | 2 | REED SWITCH NO W/CABLE | |
| Y1 | 107143095 | 1 | CABLE FOR SOLENOID VALVE 2X0.5 | |
| Y2 | 107143037 | 1 | DOSING VALVE RPE 24VAC | |
| 5 | 31001037 | 1 | SWITCHBOX ASSEMBLED WITH CABLE | [4] |
| 5 | 101118188 | 1 | MICRO-SWITCH KIT | [5] |
| B4 | 107143121 | 2 | REED SWITCH NO W/CABLE | [6] |
| A3 | 107143043 | 1 | CABLE FOR TEMPERATURE ADJUSTMENT | |
| B8 | 101118214 | 1 | FLOAT SWITCH KIT | |
| A4 | 107143038 | 1 | CABLE FOR ADJUSTMENT ANTI SCALE | |
| B9 | 107143033 | 1 | LEVEL SENSOR FUEL TANK | [7] |
| B9 | 107143059 | 1 | EHR-4 JUMPER | [8] |
| B6 | 101118173 | 1 | OIL SENSOR W/PLUG KIT | [9] |
| B6 | 107143059 | 1 | EHR-4 JUMPER | [8] |
| B7 | 107143100 | 1 | FLAME SENSOR WITH CABLE | |
| S1 | 107143055 | 1 | CABLE FOR HOT WATER MODE AND EXH. SWITCH | |
| B1 | 107143083 | 1 | TEMPERATUR SENSOR PT100 W/CABLE | |
| A1 | 107143053 | 1 | CABLE FOR UI | |
| A2 | 107143098 | 1 | PRIMARY CABLE FOR IGNITION COIL | |
| M2 | 107143096 | 1 | MOTOR BURNER - 0.23KW/230V/50HZ/1PH | [10] |
| M2 | 107143097 | 1 | MOTOR BURNER 390W/200-240V/50/60HZ | [11] |
| 10 | 107143054 | 1 | WIRE BLACK L=400 | [12] |
| 10 | 107143058 | 1 | WIRE 1.5MM2 BLACK | [2] |
| C3 | 101117867 | 1 | Entstörglied | |

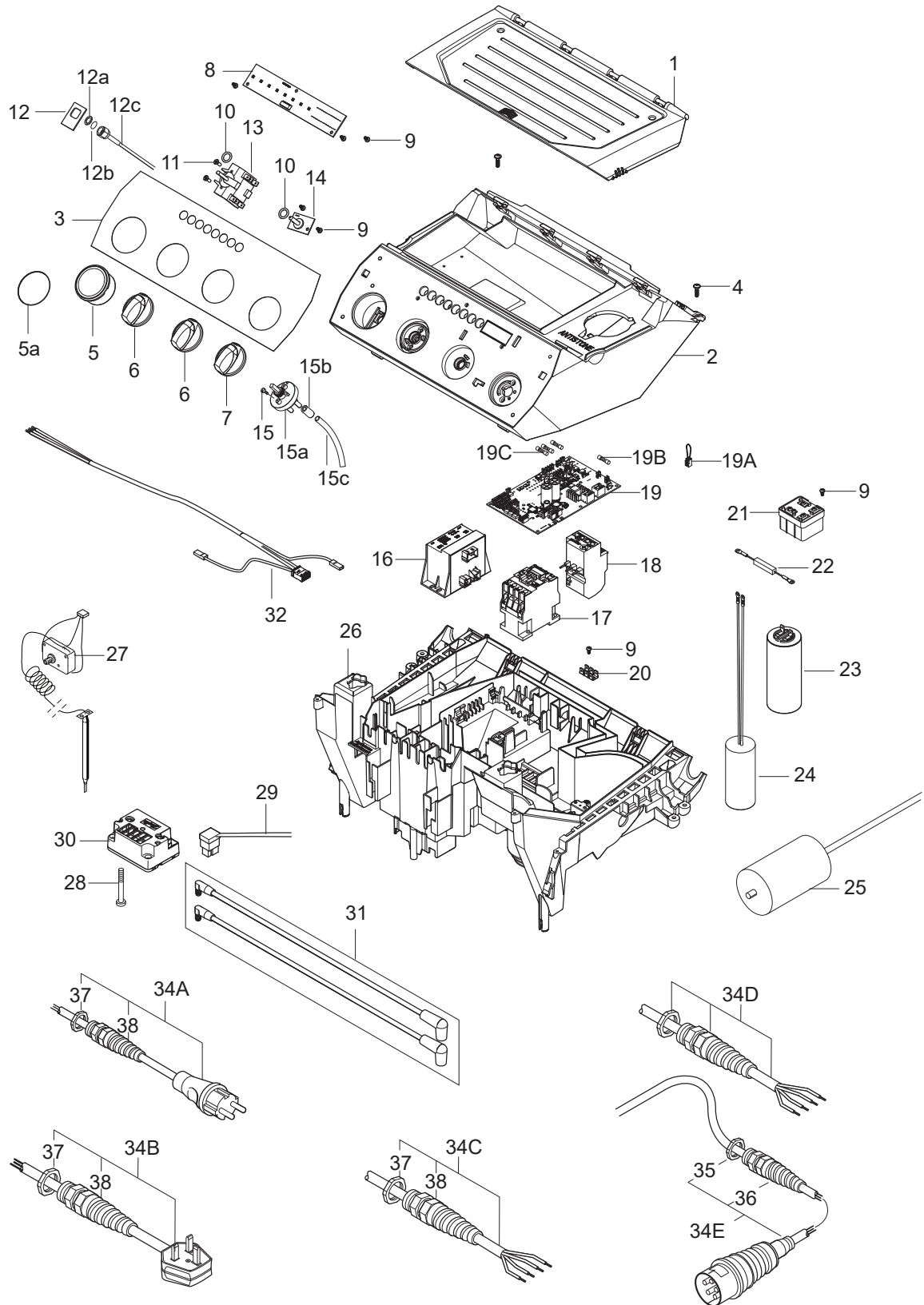
Part Notes:

- [1] - MH4
 - [2] - MH3 1~
 - [3] - MH3 3~
 - [4] - MH3
 - [5] - NA5 PA
 - [6] - NA5 FA
 - [7] - MH4+5+6+7
 - [8] - MH3+MH4FAL
 - [9] - MH4+5+6+7
- IS_107309166 _D Mounting Instructions for JST Connector 1+0
- [10] - All except MH4 JP+ MH4M-200 60Hz
 - [11] - MH4 JP+ MH4M-200 60Hz
 - [12] - All except MH3 1~



Hotline: 0 73 03 / 901 980

Zur Aumühle 36 | 89257 Illertissen
 Tel.: 0 73 03 / 901 980 | Fax 0 73 03 / 901 981 8
 info@wap-nilfisk-alto-shop.de



Hotline: 0 73 03 / 901 980

ROBE Reinigungsmaschinen
Zur Aumühle 36 | 89257 Illertissen
Tel.: 0 73 03 / 901 980 | Fax 0 73 03 / 901 981 8
info@wap-nilfisk-alto-shop.de

www.wap-nilfisk-alto-shop.de

| Pos. | Artikel-Nr. | Menge | Variante | Notes |
|------|-------------|-------|--|-------|
| 1 | 107143046 | 1 | TOOL BOX LID | |
| 2 | 107143045 | 1 | E-BOX TOP | |
| 3 | 107143047 | 1 | LABEL F. CONTR PANEL MEDIUM SPEC NILFISK | |
| 3 | 107143049 | 1 | LABEL F. CONTROL PANEL LOW SPEC NILFISK | [1] |
| 4 | 107141838 | 2 | SCHRAUBE K50X18 WN1451 SCHWARZ TORX 20 | |
| 5 | 107141648 | 1 | MANOMETER 0-300 BAR | |
| 5a | 107143050 | 1 | COVER FOR E-BOX (MANO-HOLE) | [1] |
| 6 | 909100204 | 2 | Drehknopf 6x5 blau | |
| 7 | 909100214 | 1 | Schalter GR 1 4 Kt | |
| 8 | 107143044 | 1 | PCBA UI LED | |
| 9 | 909100046 | 5 | Schraube 4x8 | |
| 10 | 9868 | 2 | O-Ring 10x2,5 | |
| 11 | 18274 | 2 | Senkschraube M4x12 | |
| 12 | 107141650 | 1 | Halter | |
| 12a | 107141651 | 1 | Scheibe DIN125-A13 | |
| 12b | 31000508 | 1 | O-RING NBR | |
| 12c | 102406647 | 1 | Manometerrohr | |
| 13 | 28877 | 1 | Schalter | |
| 14 | 101117730 | 1 | PCB FOR POTENTIOMETER | |
| 15 | 1814730 | 2 | Schraube 3,5x10 | |
| 15a | 301001000 | 1 | Ventil | |
| 15b | 301001906 | 1 | Verschlusskappe | |
| 15c | 106408243 | 1 | HOSE 1/4INCH TRANSPARENT - 5 METERS | |
| 16 | 107143051 | 1 | POWER TRANSFORMER 230/400V 2X24V | |
| 16 | 107143064 | 1 | POWER TRANSFORMER 220-240V/440-460V | |
| 16 | 107143068 | 1 | POWER TRANSFORMER 115 / 200V | |
| 17 | 103822306 | 1 | Schütz CJX2-D18-B7 24V | [2] |
| 17 | 103822313 | 1 | Schütz 100-C23KJ10 | [3] |
| 17 | 103822317 | 1 | Schütz CJX2-D32-B7 24V | [4] |
| 18 | 103822327 | 1 | Thermorelais 12-18A | [5] |
| 19 | 107143151 | 1 | PCBA MH | [6] |
| 19A | 101221031 | 1 | Jumper f. Servicerückstellung | |
| 19B | 31001190 | 1 | FUSE 6.3A 5X20 MM 250V | |
| 20 | 107307326 | 1 | ERDUNGSANSCHLUSS 6 PIN | |
| 21 | 107142761 | 1 | START RELAY RVA4G0C | [7] |
| 22 | 107141730 | 1 | DISCHARGE RESISTOR 15KOHM/7W | |
| 23 | 107141856 | 1 | CAPACITOR 70UF 450V | [8] |
| 24 | 107143182 | 1 | CAPACITOR 70UF 450/500V RP-3 | [9] |
| 25 | 107141619 | 1 | CAPACITOR 170MF | [10] |
| 26 | 107143062 | 1 | E-BOX BOTTOM | |
| 27 | 101117723 | 1 | Abgastemperaturüberwachung | |
| 28 | 909100149 | 2 | Ejotschraube K50x50 WN 14 | |
| 29 | 107143098 | 1 | PRIMARY CABLE FOR IGNITION COIL | |
| 30 | 101117759 | 1 | Zündtransformator 220-240 | [11] |
| 31 | 101118220 | 1 | 2 X IGNITION CORDS KIT | |
| 32 | 107143056 | 1 | CABLE FOR POWER TRAF0 PRIM 230V | [12] |
| 32 | 107143063 | 1 | CABLE FOR POWER TRANSFORMER PRIM 400V | [13] |
| 32 | 107143072 | 1 | CABLE F. POWER TRANSFORMER PRIM 230/400 | [14] |
| 34A | 101117809 | 1 | Netzkabel H07RN CEE | [15] |
| 34B | 101117812 | 1 | Netzkabel H07RN BS13 | [16] |
| 34C | 101117811 | 1 | Netzkabel H07RN 4G1,5 | [17] |
| 34C | 107143099 | 1 | POWER CORD 4X2.5MM2 X9M | [18] |
| 34D | 101118182 | 1 | POWER CORD H07RN 4G2.5X6M GND 6.3X0.8 NO | [19] |
| 34E | 301000834 | 1 | Anschlussleitung Europa | [20] |
| 35 | 909100198 | 1 | Schnur Befestigung | |
| 36 | 909100020 | 1 | Sechskantmutter M25x1,5 EN 50262 PA | |
| 37 | 909100019 | 1 | Sechskantmutter M20x1,5 EN 50262 PA | |
| 38 | 909100043 | 1 | Kabelverschraubung | |



Hotline: 0 73 03 / 901 980

Zur Aumühle 36 | 89257 Illertissen
 Tel.: 0 73 03 / 901 980 | Fax 0 73 03 / 901 981 8
 info@wap-nilfisk-alto-shop.de

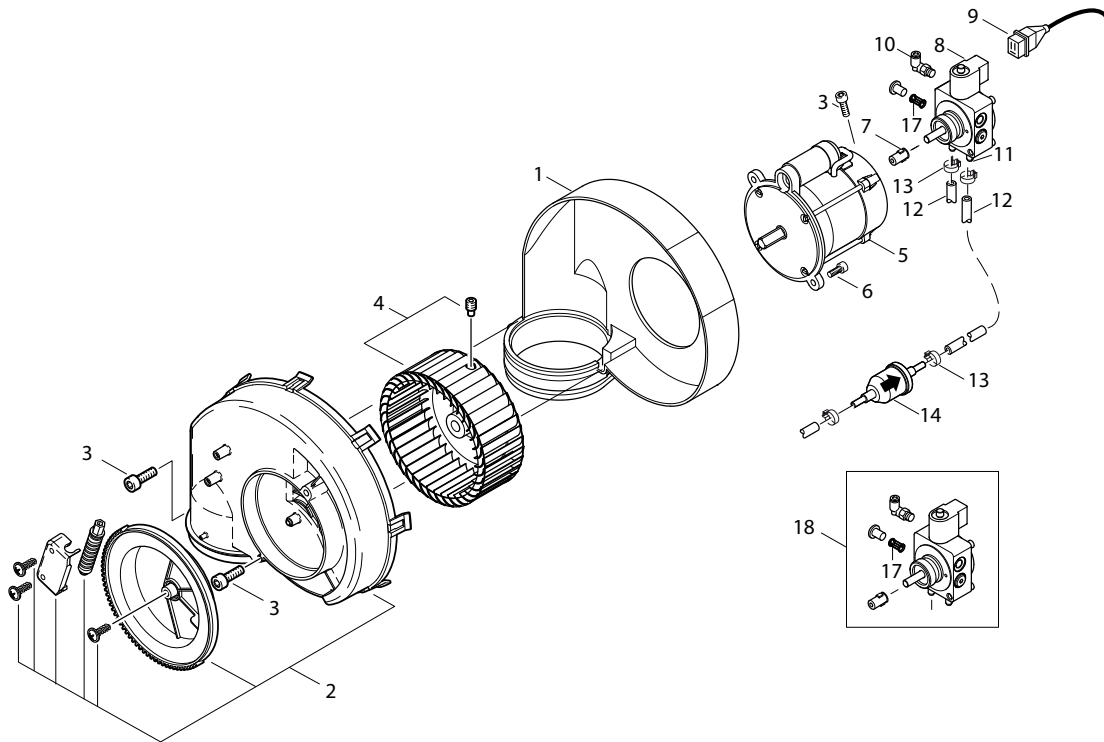
Part Notes:

- [1] - FAL
- [2] - All MH3
MH4-100/680, MH4-130/720, MH4-180/860, MH4-200/960, MH4-210/1000, MH220/1000
- [3] - MH3-160/770 440-220V 3~ 60Hz (EXP)
MH4-200/960 400-230V 3~ 50Hz (NO)
- [4] - MH4-180/890 200V 3~ 50/60Hz (JP), MH4-200/960 440-220 3~ 60Hz (EXP)
- [5] - Only MH3
- [6] - TSB-PPW-2018-014 MH models Software update
DE TSB-PPW-2018-014 MH-Modelle Software Update
- [7] - TSB-PPW-2018-003 MH_MC change of start relay and run capacitor
TSB-PPW-2018-003 MH_MC Changement du relais de démarrage et du condensateur de fonctionnement
- [8] - MH3: 1ph
- [9] - MH4: 1ph
TSB-PPW-2018-003 MH_MC change of start relay and run capacitor
- [10] - MH4: 1ph
- [11] - TSB-PPW-2018-004 Boiler cannot start - no ignition
FR TSB-PPW-2018-004 Le bruleur ne démarre plus
DE TSB-PPW-2018-004 Brenner startet nicht - keine Zündung
- [12] - MH3/MH4: 1~
- [13] - MH3/MH4: Star or Delta
- [14] - MH3/MH4: star/delta
- [15] - MH 4M-130/720 FA 230/1/50 EU
- [16] - MH 3M-100/600 PA 230/1/50 UK, MH 4M-100/680 PA 230/1/50 UK
- [17] - MH 3M-160/770 PA 440-220/3/60 EXPT
- [18] - MH 4M-180/890 FA 200/3/50 JP
- [19] - MH 4M-200/960 FAX 400-230/3/50 NO, EXP
- [20] - MH 4M-200/960 FA 400/3/50 EU, MH 4M-180/860 FAL 400/3/50 EU, MH 4M-210/1000 PAX 400/3/50 EU, MH 3M-160/770 PA 400/3/50 EU, MH 4M-220/1000 FAX 400/3/50 EU



Hotline: 0 73 03 / 901 980

Zur Aumühle 36 | 89257 Illertissen
Tel.: 0 73 03 / 901 980 | Fax 0 73 03 / 901 981 8
info@wap-nilfisk-alto-shop.de



ROBE **Hotline: 0 73 03 / 901 980**
Reinigungsmaschinen
Zur Aumühle 36 | 89257 Illertissen
Tel.: 0 73 03 / 901 980 | Fax 0 73 03 / 901 981 8
info@wap-nilfisk-alto-shop.de
www.wap-nilfisk-alto-shop.de

| Pos. | Artikel-Nr. | Menge | Variante | Notes |
|------|-------------|-------|-------------------------------------|-------|
| 1 | 301000495 | 1 | Lüftergehäuse | |
| 2 | 301000852 | 1 | Abdeckung | |
| 3 | 32535 | 3 | Zylinderschraube M5x16 | |
| 4 | 301000889 | 1 | Lüfterrad | |
| 4 | 301002126 | 1 | Lüfterrad | [1] |
| 5 | 107143179 | 1 | MOTOR BURNER 350W/110-120V/50/60HZ | [2] |
| 5 | 107143096 | 1 | MOTOR BURNER - 0.23KW/230V/50HZ/1PH | |
| 5 | 107143097 | 1 | MOTOR BURNER 390W/200-240V/50/60HZ | [1] |
| 6 | 4697 | 2 | Zylinderschraube M6x16 | |
| 7 | 101117707 | 1 | Verbindungskupplung | |
| 8 | 3821089 | 1 | Spule m. Mutter und Scheibe | |
| 9 | 107143095 | 1 | CABLE FOR SOLENOID VALVE 2X0.5 | |
| 10 | 101117706 | 1 | Winkelverschraubung | |
| 11 | 101117777 | 1 | Schlauchverbindung zur Öl | |
| 12 | 106408244 | 1 | HOSE D6X2.5 - 5 METERS | |
| 13 | 301001133 | 2 | Schlauchklemme 10/7 | |
| 14 | 301002926 | 1 | Filter 101X36.5X6 KU | |
| 17 | 31001081 | 1 | FILTER FOR OIL PUMP | |
| 18 | 101117673 | 1 | Ölpumpe komplett | |

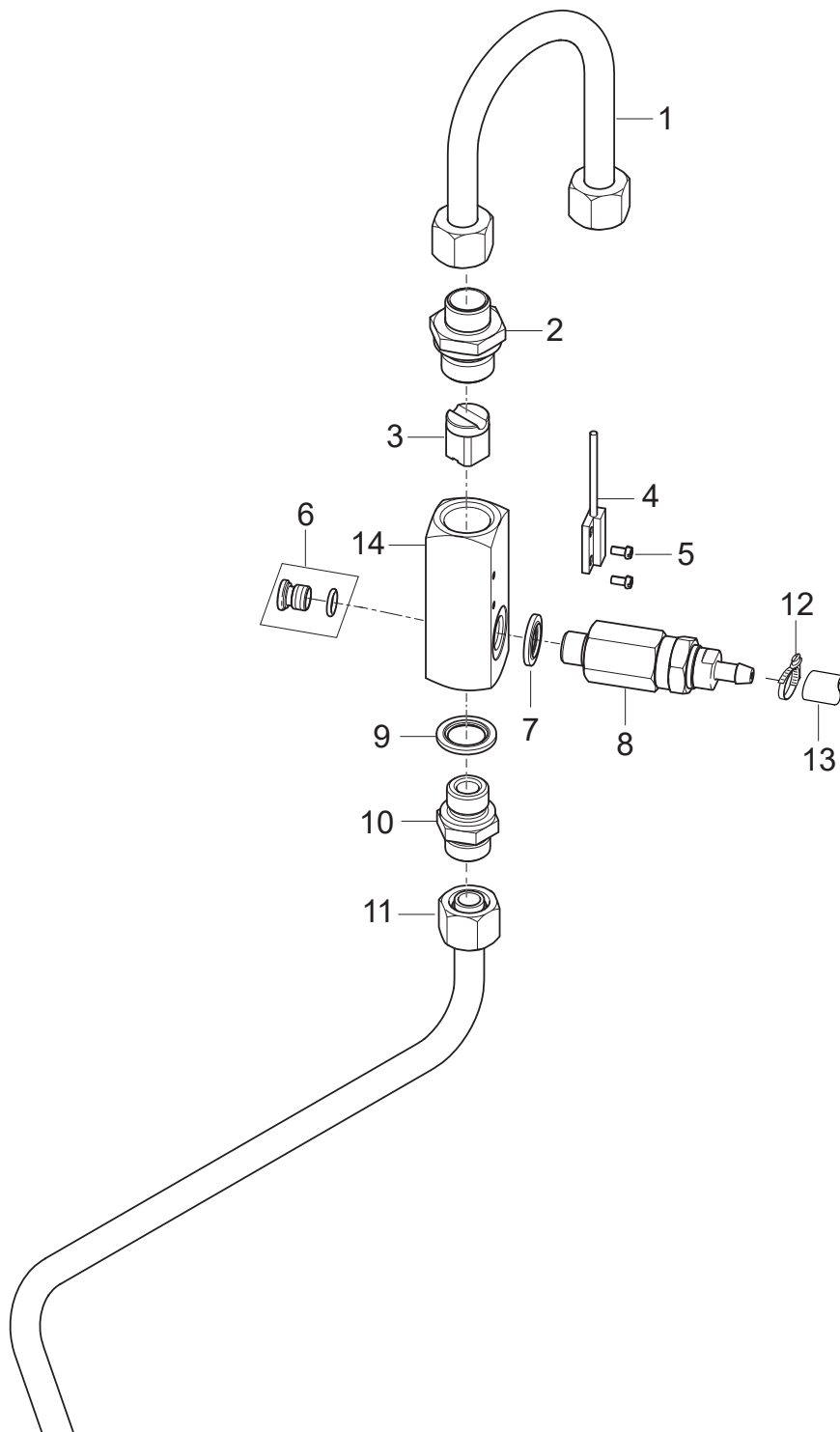
Part Notes:

- [1] - JP, EXPT
 [2] - MH 3C



Hotline: 0 73 03 / 901 980

Zur Aumühle 36 | 89257 Illertissen
 Tel.: 0 73 03 / 901 980 | Fax 0 73 03 / 901 981 8
 info@wap-nilfisk-alto-shop.de



| Pos. | Artikel-Nr. | Menge | Variante | Notes |
|------|-------------|-------|--------------------------------------|-------|
| 1 | 107143115 | 1 | PIPE FLOW CONTROL PA/BOILER B2-B2.5 | |
| 2 | 107143122 | 1 | THREADED CONNECTION D12X1/2 INCH | |
| 3 | 101117798 | 1 | Magnetgehäuse komplett | |
| 4 | 107143121 | 1 | REED SWITCH NO W/CABLE | |
| 5 | 101118033 | 2 | SCREW M3X6 BRASS | |
| 6 | 101117924 | 1 | Stopfen für MPU 1/8 | |
| 7 | 1803493 | 1 | Dichtungsscheibe | |
| 8 | 101118290 | 1 | OPENING PRESSURE VALVE 146 BAR KIT | |
| 8 | 101118291 | 1 | OPENING PRESSURE VALVE 200 BAR KIT | |
| 9 | 1801075 | 1 | Dichtring | |
| 10 | 1601079 | 1 | Verbindungsstück | |
| 11 | 107143118 | 1 | PIPE MPU/FLOW CONTROL NA4 PA | [1] |
| 11 | 107143119 | 1 | PIPE MPU/FLOW CONTROL NA5-PA/B2-B2.5 | |
| 12 | 11654 | 2 | Schlauchklemme 11,5 | |
| 13 | 101406100 | 1 | Schlauch 6x3 mm x 5 m | |
| 14 | 101118306 | 1 | FLOW CONTROL HOUSING PA | |

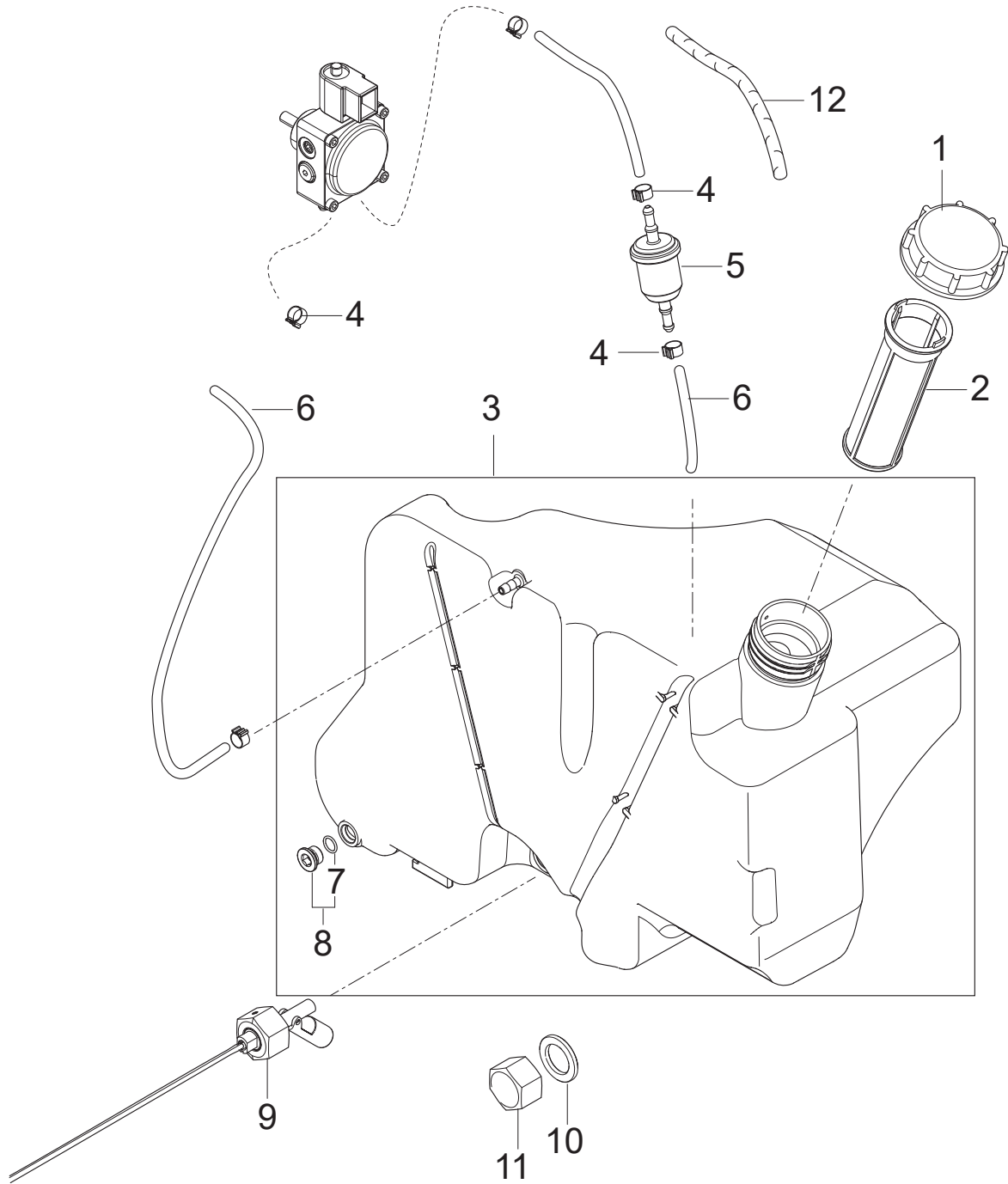
Part Notes:

[1] - MH 3M-100/600 PA, MH 3M-140/580 PA, MH 3M-160/770 PA



Hotline: 0 73 03 / 901 980

Zur Aumühle 36 | 89257 Illertissen
 Tel.: 0 73 03 / 901 980 | Fax 0 73 03 / 901 981 8
 info@wap-nilfisk-alto-shop.de



| Pos. | Artikel-Nr. | Menge | Variante | Notes |
|------|-------------|-------|------------------------|-------|
| 1 | 107143034 | 1 | FUEL TANK LID - RED | |
| 2 | 107144862 | 1 | Tankfilter Ø49,5X140 | |
| 3 | 107143035 | 1 | FUEL TANK 15L | |
| 4 | 301001133 | 6 | Schlauchklemme 10/7 | |
| 5 | 301002926 | 1 | Filter 101X36.5X6 KU | |
| 6 | 106408244 | 1 | HOSE D6X2.5 - 5 METERS | |
| 7 | 3000072 | 1 | O-Ring 10,1 X 1,6 SMS | |
| 8 | 6180906 | 1 | Verschlussschraube | [1] |
| 9 | 107143033 | 1 | LEVEL SENSOR FUEL TANK | |
| 10 | 3001237 | 1 | Dichtung | [2] |
| 11 | 107143113 | 1 | END CAP 3/4 | [2] |
| 12 | 107143164 | 1 | BEND PROTECTOR | [3] |

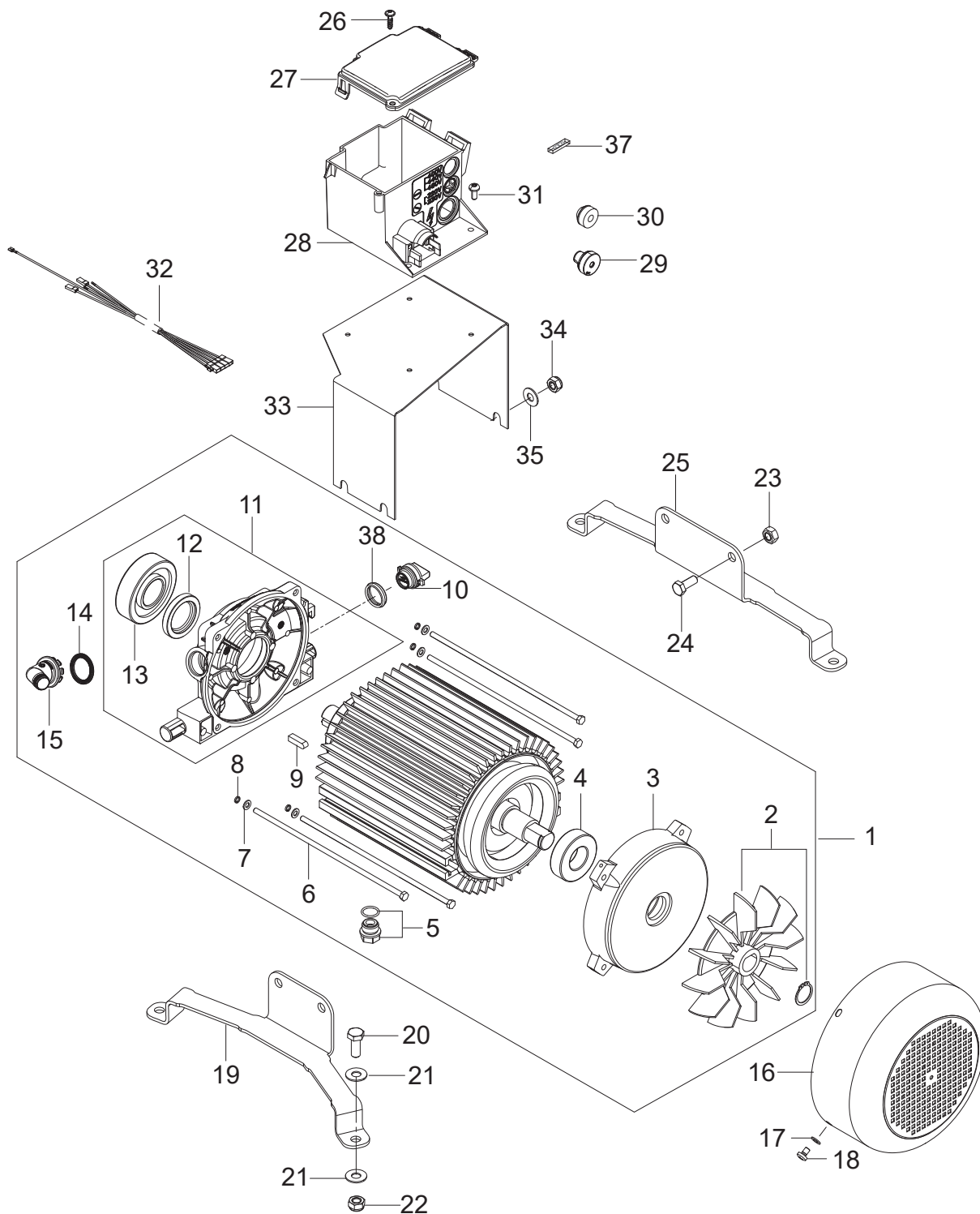
Part Notes:

- [1] - STOCK COVERS GUARANTEE
- [2] - MH3/FAL
- [3] - DE TSB-PPW-2017-006 MH 3, 4, 5, 6, 7 Kraftstoffschlauch kann durch zu st...
TSB-PPW-2017-006 MH 3, 4, 5, 6, 7 Fuel hose can bend and block for fuel



Hotline: 0 73 03 / 901 980

Zur Aumühle 36 | 89257 Illertissen
Tel.: 0 73 03 / 901 980 | Fax 0 73 03 / 901 981 8
info@wap-nilfisk-alto-shop.de



Resource notes:

TSB-PPW-2017-004 MH 3M 1~ Resonance in by-pass or low pressure mode

DE TSB-PPW-2017-004 MH 3M 1~ Resonanz im Bypass oder Niederdruck Betrieb...

Hotline: 0 73 03 / 901 980

Zur Aumühle 36 | 89257 Illertissen
Tel.: 0 73 03 / 901 980 | Fax 0 73 03 / 901 981 8
info@wap-nilfisk-alto-shop.de

ROBE
Reinigungsmaschinen

www.wap-nilfisk-alto-shop.de

| Pos. | Artikel-Nr. | Menge | Variante | Notes |
|------|-------------|-------|--|-------|
| 1 | 31001006 | 1 | MOTOR NA4 - 2.2KW/230V/50HZ/1PH | |
| 2 | 107145038 | 1 | FAN INCL. SEAL V-RING | |
| 3 | 107145037 | 1 | N-BEARING COVER | |
| 4 | 301003080 | 1 | Lager 6205 ZZ | |
| 5 | 31001038 | 1 | PLUG FOR OIL DRAIN W/O O-RING | |
| 6 | 31000916 | 4 | STAY BOLT M5X210 | |
| 6 | 31000917 | 4 | STAY BOLT M5X230 | |
| 7 | 31000918 | 4 | WASHER D5.5XD10 GB/T97.1 ISO7089 | |
| 8 | 31000919 | 4 | LOCK RING D5.1XD7.7 GB/T93 DIN127 | |
| 9 | 101814798 | 1 | Passfeder | |
| 10 | 31001039 | 1 | OIL PLUG FOR NA3 AND NA4 | |
| 11 | 31000926 | 1 | D-BEARING COVER P3 INCL SEAL AND BEARING | |
| 12 | 301003078 | 1 | Wellendichtring | |
| 13 | 31001028 | 1 | BEARING 7306 | |
| 14 | 31000921 | 1 | SEAL ID 23.4XOD 31 D 2/3.5 | |
| 15 | 31000922 | 1 | CABLE GLAND 23.5 SNAPON 110 DEG | |
| 16 | 107307308 | 1 | FAN COVER FOR NA3/NA4 | |
| 17 | 4021 | 4 | Fächerscheibe 4,3 -A- DIN 6798 FSt/zn | |
| 18 | 1804160 | 4 | Schraube | |
| 19 | 107143159 | 1 | BRACKET LEFT MH-3 | [1] |
| 20 | 2753 | 4 | Sechskantschraube M8x 20 ISO 4017 zn | |
| 21 | 1800796 | 4 | Scheibe 8,4 | |
| 22 | 1800515 | 4 | Sicherungsmutter M8 | |
| 23 | 2758 | 4 | Sechskantmutter M8 DIN 934 zn | |
| 24 | 2750 | 4 | Sechskantschraube M8x 25 ISO 4017 zn | |
| 25 | 107143160 | 1 | BRACKET RIGHT MH-3 | [1] |
| 26 | 107141838 | 7 | SCHRAUBE K50X18 WN1451 SCHWARZ TORX 20 | |
| 27 | 301000782 | 1 | Deckel | |
| 28 | 107143074 | 1 | E-BOX | |
| 29 | 3803772 | 1 | Tülle | |
| 30 | 3803764 | 1 | Stopfbuchse TET 5-7C | |
| 31 | 107141690 | 4 | Linsenschraube DIN7985-M5x12-8.8 | |
| 32 | 107143079 | 1 | MOTOR CABLE 5G1.5 FOR 1~ MH3 | |
| 33 | 107143161 | 1 | BRACKET E-BOX MH-3 | [1] |
| 34 | 1800515 | 4 | Sicherungsmutter M8 | |
| 35 | 1800796 | 4 | Scheibe 8,4 | |
| 37 | 101118036 | 1 | 4 MALE TAB INSULATED | [2] |
| 38 | 107142589 | 1 | SEAL ID 16.7XOD 21.2XW 5 NBR 70 SHORE A | |

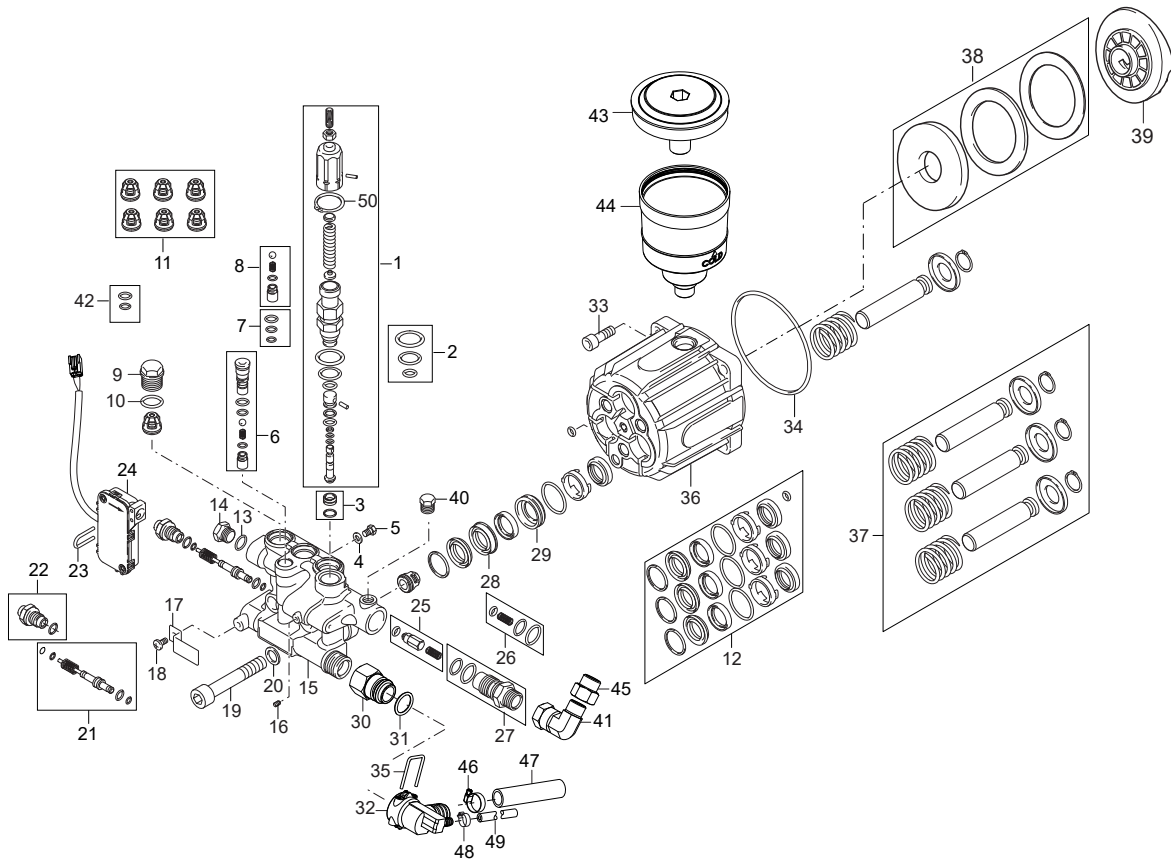
Part Notes:

- [1] - TSB-PPW-2017-004 MH 3M 1~ Resonance in by-pass or low pressure mode
[2] - GUARANTEE DATE EXPIRED



Hotline: 0 73 03 / 901 980

Zur Aumühle 36 | 89257 Illertissen
Tel.: 0 73 03 / 901 980 | Fax 0 73 03 / 901 981 8
info@wap-nilfisk-alto-shop.de



| Pos. | Artikel-Nr. | Menge | Variante | Notes |
|------|-------------|-------|-------------------------------------|-------|
| 0 | 31001082 | 1 | OIL ROTRA MP 80W-90 1L | [1] |
| 1 | 31000978 | 1 | REGULATION SAFETY BLOCK | |
| 2 | 301003032 | 1 | Dichtungssatz | |
| 3 | 301003033 | 1 | Ventilsitzring | |
| 4 | 31000944 | 1 | WASHER | |
| 5 | 301003035 | 1 | Verschlussschraube | |
| 6 | 31001328 | 1 | EASY START KIT | |
| 7 | 301003037 | 1 | Dichtungssatz | |
| 8 | 31000983 | 1 | SEAT EASY START KIT | |
| 9 | 301003039 | 1 | Verschlussschraube | |
| 10 | 301003040 | 1 | O-Ring 15,6X1,78 | |
| 11 | 31000576 | 1 | VALVE KIT 6 PCS | |
| 12 | 301003042 | 1 | Dichtungssatz Kolben | [2] |
| 13 | 301003043 | 1 | O-Ring 10,82X1,78 820510 | |
| 14 | 301003044 | 1 | Verschlussschraube | |
| 15 | 301003045 | 1 | Ventilblock | |
| 16 | 301003046 | 1 | Verschlussschraube | |
| 17 | 301003047 | 1 | Halter | |
| 18 | 301003048 | 1 | Schraube | |
| 19 | 301003049 | 1 | SCREW M12X70 UNI 5931 | |
| 20 | 301003050 | 1 | Zahnscheibe Ø12 | |
| 21 | 31001329 | 1 | PISTON KIT FOR MICROSWITCH | [3] |
| 22 | 31000940 | 1 | FITTING KIT FOR MICROSWITCH | [4] |
| 23 | 301003053 | 1 | Bügel | |
| 24 | 31001037 | 1 | SWITCHBOX ASSEMBLED WITH CABLE | |
| 25 | 31000988 | 1 | INJECTOR | |
| 26 | 31000989 | 1 | O-RING KIT FOR INJECTOR | |
| 27 | 31000990 | 1 | INJECTOR KIT | |
| 28 | 301001559 | 1 | Buchse | |
| 29 | 301003059 | 1 | Kolbenführung | |
| 30 | 107143091 | 1 | WATER INLET NA4 | |
| 31 | 107143088 | 1 | O-RING 18.72X2.62 | |
| 32 | 107143092 | 1 | WATER LIMITER (SMALL) | |
| 33 | 301003063 | 1 | Schraube 5x25 | |
| 34 | 31000973 | 1 | O-RING D 94.92x2.62 | |
| 35 | 107143085 | 1 | LOCK PIN | |
| 36 | 31000972 | 1 | PUMP BODY | |
| 37 | 31000992 | 1 | PISTON KIT D18 | |
| 38 | 31000993 | 1 | BEARING KIT 1MM | |
| 39 | 301003137 | 1 | Taumelscheibe 11° | |
| 40 | G030733 | 1 | HOLE PLUG. 1/8 | |
| 41 | 107143093 | 1 | SWIVEL ADAPTER 90 3/8 | |
| 42 | 301003160 | 2 | O-RING Satz | |
| 43 | 301000615 | 1 | Deckel | |
| 44 | 301000614 | 1 | Öltank | |
| 45 | 107143090 | 1 | ADAPTOR IN 3/8 OUT M18X1.5 | |
| 46 | 8298 | 1 | Schlauchschelle SGL 16-27 | |
| 47 | 107143031 | 1 | FUELFLEX HOSE D28/D20 10BAR/20° | |
| 48 | 11654 | 2 | Schlauchklemme 11,5 | |
| 49 | 106408243 | 1 | HOSE 1/4INCH TRANSPARENT - 5 METERS | |
| 50 | 101117994 | 1 | RETAINER RING Ø23 DIN 471 | |

Part Notes:

- [1] - 0,39L - OIL TYPES_QUANTITY for HPW_APRIL 2017
- [2] - TSB-PPW-2019-001 MC 4M MH 3M SC UNO 4M Pump oil leakage
DE TSB-PPW-2019-001 MC 4M MH 3M SC UNO 4M Pumpenölverlust
TSB-PPW-2019-001 Fuite d'huile pompe NA4



Hotline: 0 73 03 / 901 980

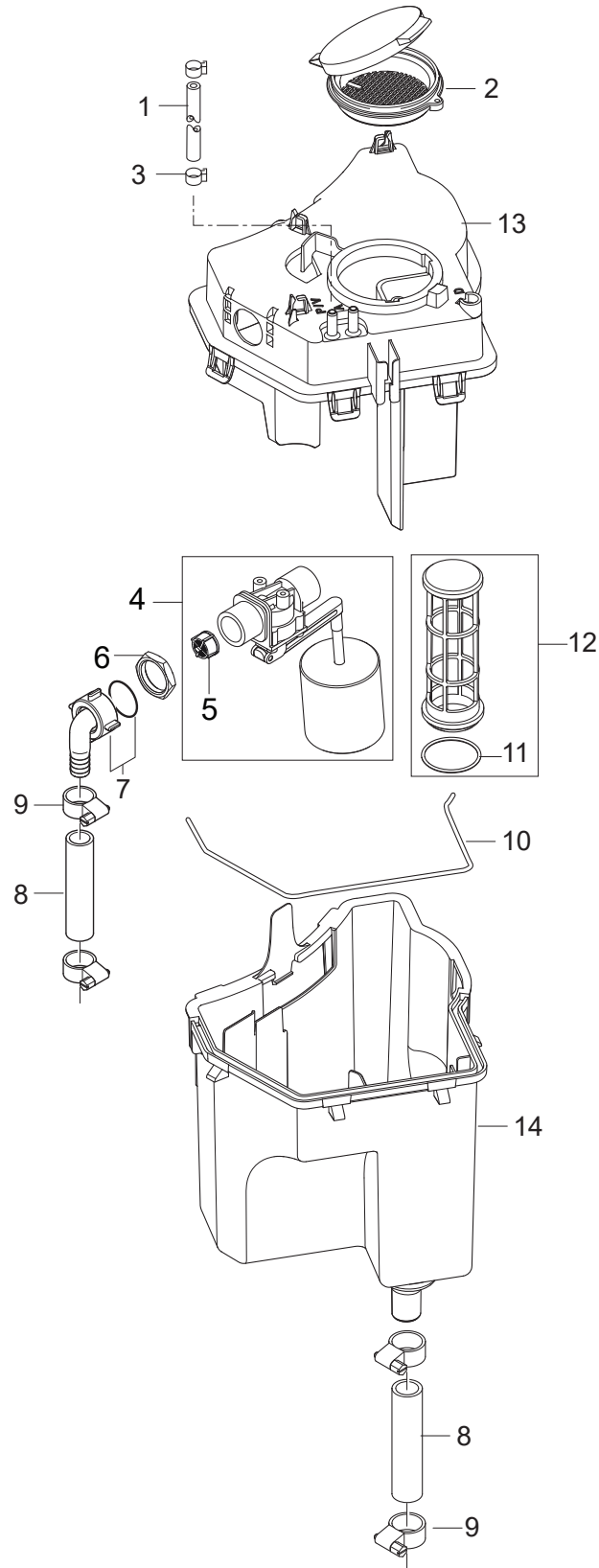
Zur Aumühle 36 | 89257 Illertissen
Tel.: 0 73 03 / 901 980 | Fax 0 73 03 / 901 981 8
info@wap-nilfisk-alto-shop.de

-
- [3] - TSB-PPW-2016-014 MC 3C_MH 3M Start-Stop valve 31000986 grease specification
DE TSB-PPW-2016-014 MC 3C MH 3M Start-Stopp Ventil 31000986 Schmierfett Spezifikation
 - [4] - TSB-PPW-2016-014 MC 3C_MH 3M Start-Stop valve 31000986 grease specification
DE TSB-PPW-2016-014 MC 3C MH 3M Start-Stopp Ventil 31000986 Schmierfett Spezifikation



Hotline: 0 73 03 / 901 980

Zur Aumühle 36 | 89257 Illertissen
Tel.: 0 73 03 / 901 980 | Fax 0 73 03 / 901 981 8
info@wap-nilfisk-alto-shop.de



ROBE Reinigungsmaschinen **Hotline: 0 73 03 / 901 980**
Zur Aumühle 36 | 89257 Illertissen
Tel.: 0 73 03 / 901 980 | Fax 0 73 03 / 901 981 8
info@wap-nilfisk-alto-shop.de

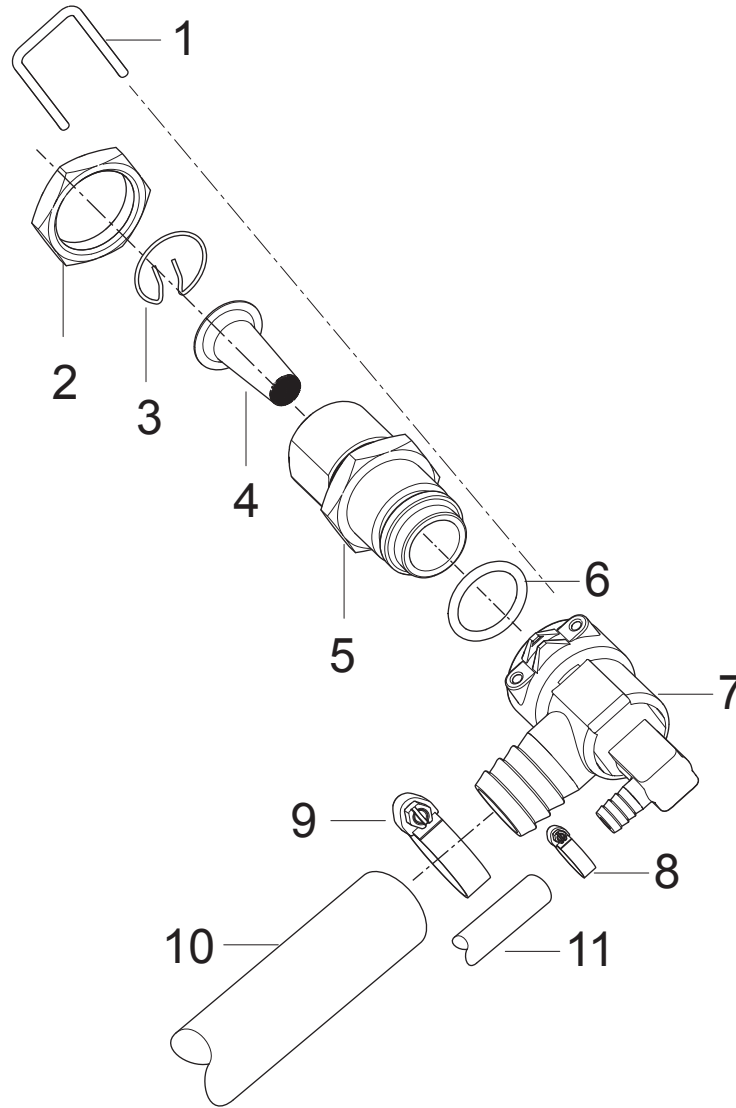
www.wap-nilfisk-alto-shop.de

| Pos. | Artikel-Nr. | Menge | Variante | Notes |
|------|-------------|-------|--|-------|
| 1 | 101406100 | 1 | Schlauch 6x3 mm x 5 m | |
| 2 | 301000561 | 1 | Deckel RP-Behälter | |
| 3 | 301001133 | 2 | Schlauchklemme 10/7 | |
| 4 | 101117784 | 1 | Schwimmerventil | |
| 5 | 34218 | 1 | Filter Ø19 KU | |
| 6 | 1800341 | 1 | Gegenmutter 3/4 | |
| 7 | 107143084 | 1 | HOSE COUPLING 90° 20X3/4 PP W/NUT/GASKET | |
| 8 | 107143031 | 1 | FUELFLEX HOSE D28/D20 10BAR/20° | |
| 9 | 8298 | 4 | Schlauchschelle SGL 16-27 | |
| 10 | 101406054 | 1 | Dichtung | |
| 11 | 107143032 | 1 | O-RING D30X2 SHORE70 NBR BLACK | |
| 12 | 106403194 | 1 | FILTER FOR WATER BREAK TANK ACCESSORY | |
| 13 | 107143060 | 1 | COVER FOR WATER TANK | |
| 14 | 107143030 | 1 | WATER BREAK TANK | |



Hotline: 0 73 03 / 901 980

Zur Aumühle 36 | 89257 Illertissen
 Tel.: 0 73 03 / 901 980 | Fax 0 73 03 / 901 981 8
 info@wap-nilfisk-alto-shop.de



| Pos. | Artikel-Nr. | Menge | Variante | Notes |
|------|-------------|-------|---------------------------------|-------|
| 1 | 107143085 | 2 | LOCK PIN | |
| 2 | 1800341 | 1 | Gegenmutter 3/4 | |
| 3 | 107141667 | 1 | Sicherungsring | |
| 4 | 101117926 | 1 | Sieb | |
| 5 | 107143086 | 1 | FITTING FOR WATER INLET | |
| 6 | 107143088 | 2 | O-RING 18.72X2.62 | |
| 7 | 107143089 | 1 | WATER INLET FITTING FOR PA | |
| 8 | 11654 | 1 | Schlauchklemme 11,5 | |
| 9 | 8298 | 1 | Schlauchschele SGL 16-27 | |
| 10 | 107143031 | 1 | FUELFLEX HOSE D28/D20 10BAR/20° | |
| 11 | 101406100 | 1 | Schlauch 6x3 mm x 5 m | |

**Hotline: 0 73 03 / 901 980**

Zur Aumühle 36 | 89257 Illertissen
Tel.: 0 73 03 / 901 980 | Fax 0 73 03 / 901 981 8
info@wap-nilfisk-alto-shop.de

No Diagram Available

Parts List Only



Hotline: 0 73 03 / 901 980

Zur Aumühle 36 | 89257 Illertissen
Tel.: 0 73 03 / 901 980 | Fax 0 73 03 / 901 981 8
info@wap-nilfisk-alto-shop.de

| Pos. | Artikel-Nr. | Menge | Variante | Notes |
|------|-------------|-------|-------------------------------------|-------|
| C | 107145780 | 1 | RADKAPPE FUER RAD Ø300X65 | |
| C | 46363 | 1 | Klemmscheibe | |
| C | 107145637 | 1 | RAD D300X65 (STARCO) | |
| C | 107143304 | 1 | Rad D250 mit Abdeckung | |
| B | 106408244 | 1 | HOSE D6X2.5 - 5 METERS | |
| A | 301002926 | 1 | Filter 101X36.5X6 KU | |
| A | 107143630 | 1 | INLINE FUEL FILTER SPT | |
| A | 101117784 | 1 | Schwimmerventil | |
| A | 34218 | 1 | Filter Ø19 KU | |
| C | 31000993 | 1 | BEARING KIT 1MM | |
| C | 301003137 | 1 | Taumelscheibe 11° | |
| C | 301003139 | 1 | Taumelscheibe 13° | |
| B | 301003078 | 1 | Wellendichtring | |
| C | 107145038 | 1 | FAN INCL. SEAL V-RING | |
| C | 31001006 | 1 | MOTOR NA4 - 2.2KW/230V/50HZ/1PH | |
| C | 31001010 | 1 | MOTOR NA4 - 2.8KW/230/400V/50HZ/3PH | |
| A | 31000576 | 1 | VALVE KIT 6 PCS | |
| A | 31000978 | 1 | REGULATION SAFETY BLOCK | |
| A | 31001037 | 1 | SWITCHBOX ASSEMBLED WITH CABLE | |
| A | 31000986 | 1 | PISTON KIT FOR MICROSWITCH | |
| A | 31000987 | 1 | FITTING KIT FOR MICROSWITCH | |
| A | 31000988 | 1 | INJECTOR | |
| A | 31000989 | 1 | O-RING KIT FOR INJECTOR | |
| A | 301003032 | 1 | Dichtungssatz | |
| A | 301003042 | 1 | Dichtungssatz Kolben | |
| A | 31000992 | 1 | PISTON KIT D18 | |
| A | 107143088 | 1 | O-RING 18.72X2.62 | |
| A | 101117798 | 1 | Magnetgehäuse komplett | |
| A | 107143121 | 1 | REED SWITCH NO W/CABLE | |
| B | 101118290 | 1 | OPENING PRESSURE VALVE 146 BAR KIT | |
| B | 101118291 | 1 | OPENING PRESSURE VALVE 200 BAR KIT | |
| B | 101118292 | 1 | OPENING PRESSURE VALVE 250 BAR KIT | |
| A | 31001100 | 1 | FILTER CARTRIDGE WITHOUT FLANGE | |
| C | 107143044 | 1 | PCBA UI LED | |
| C | 28877 | 1 | Schalter | |
| A | 107143151 | 1 | PCBA MH | |
| C | 107143051 | 1 | POWER TRANSFORMER 230/400V 2X24V | |
| C | 107143064 | 1 | POWER TRANSFORMER 220-240V/440-460V | |
| C | 107143068 | 1 | POWER TRANSFORMER 115 / 200V | |
| B | 107307326 | 1 | ERDUNGSANSCHLUSS 6 PIN | |
| B | 103822313 | 1 | Schütz 100-C23KJ10 | |
| B | 103822316 | 1 | Schütz CJX2-D32-F7 110V | |
| B | 103822327 | 1 | Thermorelais 12-18A | |
| B | 107142761 | 1 | START RELAY RVA4G0C | |
| C | 107141619 | 1 | CAPACITOR 170MF | |
| C | 107143182 | 1 | CAPACITOR 70UF 450/500V RP-3 | |
| C | 107141856 | 1 | CAPACITOR 70UF 450V | |
| C | 107143098 | 1 | PRIMARY CABLE FOR IGNITION COIL | |
| C | 101118220 | 1 | 2 X IGNITION CORDS KIT | |
| B | 107143100 | 1 | FLAME SENSOR WITH CABLE | |
| A | 301002856 | 1 | Öldüse 0,75 / 60 | |
| A | 2802712 | 1 | Öl Düse 1.0 GAL 60 Grad | |
| A | 61659 | 1 | Düse 1.25 GAL 60° | |
| C | 101117723 | 1 | Abgastemperaturüberwachung | |
| A | 101117684 | 1 | Isolation kit Neptune 2 | |
| A | 101117673 | 1 | Ölpumpe komplett | |
| B | 3821089 | 1 | Spule m. Mutter und Scheibe | |
| B | 107143095 | 1 | CABLE FOR SOLENOID VALVE 2X0.5 | |
| A | 107143123 | 1 | SWIVEL FOR HOSE REEL | |



Hotline: 0 73 03 / 901 980

Zur Aumühle 36 | 89257 Illertissen
 Tel.: 0 73 03 / 901 980 | Fax 0 73 03 / 901 981 8
 info@wap-nilfisk-alto-shop.de

| Pos. | Artikel-Nr. | Menge | Variante | Notes |
|------|-------------|-------|--------------------------|-------|
| A | 62696 | 1 | Sechskantmutter M24x1,5x | |
| A | 107143017 | 1 | BACK-UP RING | |
| A | 19620 | 1 | O-Ring 15,54x2,62 | |
| A | 1802057 | 1 | Seegerring U 20 x1,2 | |

**Hotline: 0 73 03 / 901 980**

Zur Aumühle 36 | 89257 Illertissen
Tel.: 0 73 03 / 901 980 | Fax 0 73 03 / 901 981 8
info@wap-nilfisk-alto-shop.de



Hotline: 0 73 03 / 901 980

Zur Aumühle 36 | 89257 Illertissen
Tel.: 0 73 03 / 901 980 | Fax 0 73 03 / 901 981 8
info@wap-nilfisk-alto-shop.de

| Pos. | Artikel-Nr. | Menge | Variante | Notes |
|------|-------------|-------|--|-------|
| 1 | 106403122 | 1 | ERGO 2000 STANDARD W. HOSE SWIVEL | [1] |
| 2 | 101406069 | 1 | HP HOSE DN6X10M QC 3/8IN NILFISK HW | [2] |
| 3 | 106403036 | 1 | UNIVERSAL PLUS LANCE 940 | [3] |
| 4 | 106403011 | 1 | TORNADO PLUS 1000 gebogen | [4] |
| 6 | 1602945 | 1 | Kupplung kpl. 3/4 | [5] |
| 6 | 1600659 | 1 | Nippel, Schnellkupplung | [5] |
| 6 | 61369 | 1 | Schlauchtülle ø20 R3/4" vormontiert CuZn | |
| 7 | 101119737 | 1 | HD-Düse 0370 TORNADO | [6] |
| 7 | 101119738 | 1 | Düse NT0400 | [7] |
| 7 | 101119739 | 1 | HD-Düse 0435 TORNADO | [8] |
| 8 | 301150005 | 1 | HD-Düse 0475 TORNADO | [9] |
| 9 | 101405770 | 1 | HD-Schlauch DN 8x10m | [10] |
| 10 | 101406102 | 1 | HP-HOSE DN8X15M QC 3/8 NILFISK HW | [11] |
| | 106403196 | 1 | REMOTE CONTROL 2X DETERGENT ACCESSORY | |

Part Notes:

- [1] - ERGO 2000 Spray handle
- [2] - MH3 without hose reel
HOSES Overview
- [3] - MH 3M-100/600 PA 230/1/50 UK, MH 3M-140/580 PA 230/1/50 EU, MH 3M-160/770 PA 400/3/50 EU, MH 3M-160/770 PA 440-220/3/60 EXPT
UNIVERSAL PLUS lance
- [4] - MH 4M-130/720 FA 230/1/50 EU, MH 4M-180/860 FAL 400/3/50 EU,

MH 4M-100/680 PA 230/1/50 UK, MH 4M-180/890 FA 200/3/50 JP, MH 4M-200/960 FA 400/3/50 EU, MH 4M-210/1000 PAX 400/3/50 EU, MH 4M-220/1000 FA 400/3/50 EU
TORNADO PLUS lance
- [5] - UK, JP
- [6] - MH 3M-140/580 PA 230/1/50 EU
- [7] - MH 3M-160/770 PA 400/3/50 EU
- [8] - MH 4M-130/720 FA 230/1/50 EU, MH 4M-180/860 FAL 400/3/50 EU
- [9] - MH 4M-100/680 PA 230/1/50 UK, MH 4M-180/890 FA 200/3/50 JP, MH 4M-200/960 FA 400/3/50 EU, MH 4M-210/1000 PAX 400/3/50 EU, MH 4M-220/1000 FA 400/3/50 EU
- [10] - MH4 without hose reel
HOSES Overview
- [11] - MH4M with hose reel (X-tra)
HOSES Overview



Hotline: 0 73 03 / 901 980

Zur Aumühle 36 | 89257 Illertissen
Tel.: 0 73 03 / 901 980 | Fax 0 73 03 / 901 981 8
info@wap-nilfisk-alto-shop.de



Hotline: 0 73 03 / 901 980

Zur Aumühle 36 | 89257 Illertissen
Tel.: 0 73 03 / 901 980 | Fax 0 73 03 / 901 981 8
info@wap-nilfisk-alto-shop.de

www.wap-nilfisk-alto-shop.de