



So finden Sie Ihr gewünschtes Ersatzteil / Zubehör:

In dieser Ersatzteilliste finden Sie die Artikelnummer Ihres gesuchten Produkts. **Bitte geben Sie diese Artikelnummer in das „Suche“-Feld unseres Shops ein.**

Als Ergebnis wird Ihnen der Artikel mit Preis angezeigt und Sie können diesen bei Gefallen in den Warenkorb legen.

Sollten Sie das gesuchte Zubehör oder Ersatzteil nicht finden, helfen wir Ihnen gerne weiter.

Rufen Sie uns einfach an. Halten Sie bitte den Maschinentyp und das exakte Baujahr des Gerätes bereit:

Tel.: +49 (0) 7303 901 980

Robe Reinigungsmaschinen GmbH



Hotline: 0 73 03 / 901 980

Zur Aumühle 36 | 89257 Illertissen
Tel.: 0 73 03 / 901 980 | Fax 0 73 03 / 901 981 8
info@wap-nilfisk-alto-shop.de

www.wap-nilfisk-alto-shop.de

Weiterblättern zur Ersatzteilliste →

PARTS LIST

2024.10.11

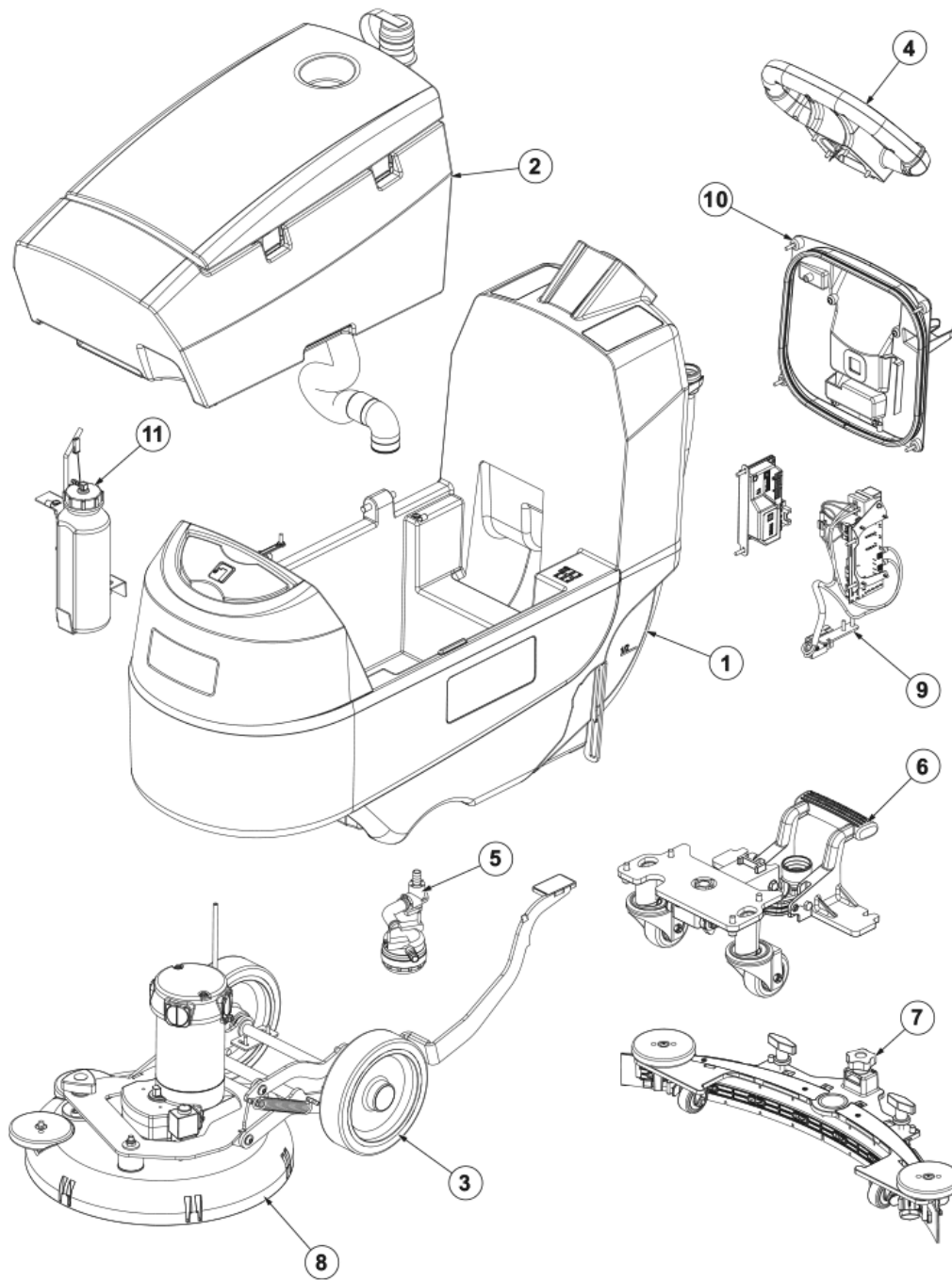
NILFISK



Hotline: 0 73 03 / 901 980
Zur Aumühle 36 | 89257 Wertissen
Tel.: 0 73 03 / 901 980 | Fax 0 73 03 / 901 9818
info@wap-nilfisk-alto-shop.de
www.wap-nilfisk-alto-shop.de

TABLE OF CONTENTS

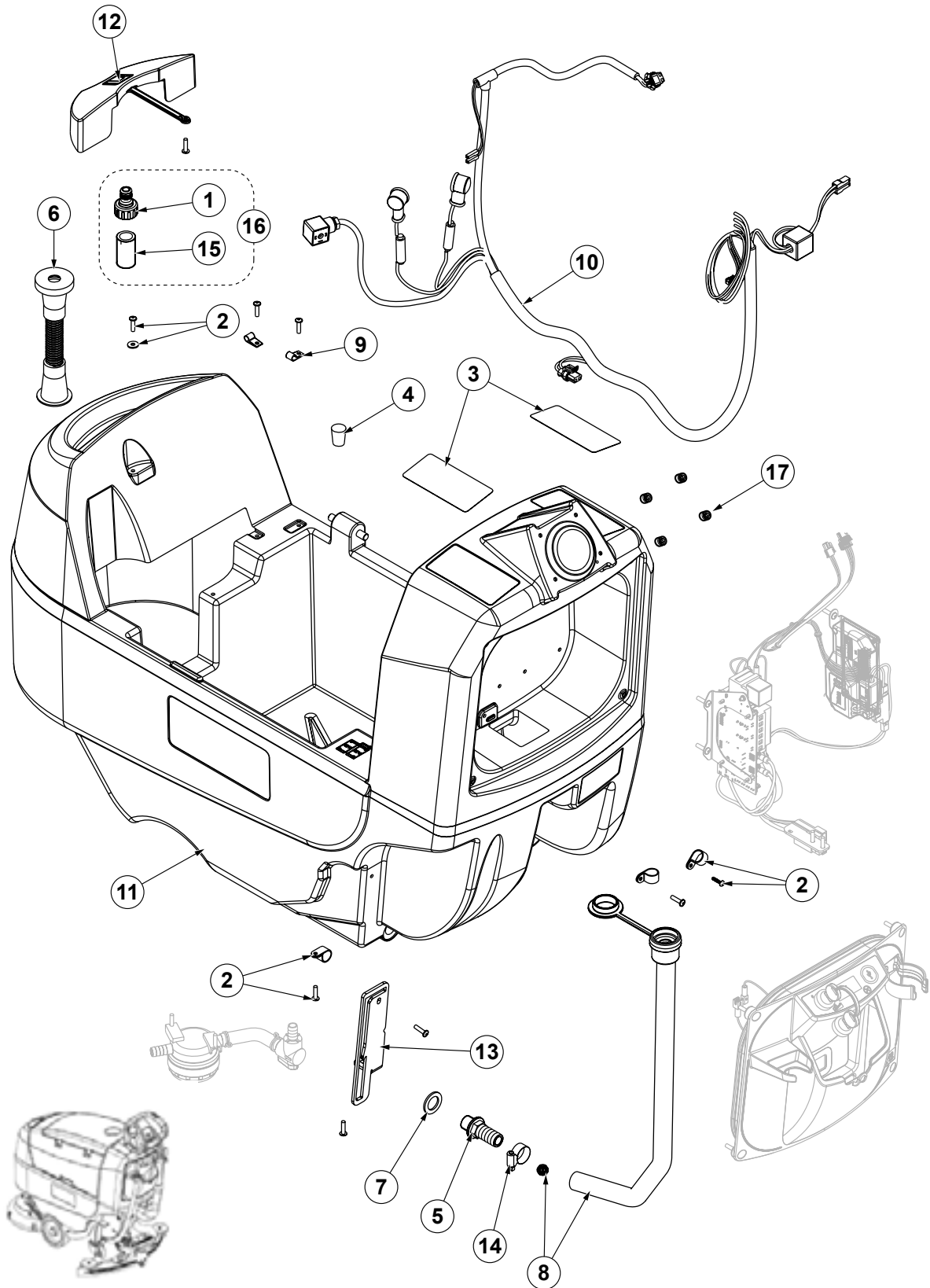
PL GENERAL VIEW	1
PL SOLUTION TANK SYSTEM	3
PL RECOVERY TANK SYSTEM	5
PL VACUUM MOTOR SYSTEM	7
PL WHEELS SYSTEM (NO DRIVE)	9
PL HANDLEBAR SYSTEM (NO DRIVE)	11
PL BRUSH DECK (NO DRIVE)	13
PL BATTERY CHARGER	15
PL DETERGENT SYSTEM	17
PL ACCESSORIES - OPTIONALS	19
PL WIRING DIAGRAM (NO DRIVE)	21
PL RECOMMENDED PARTS	23
PL ELECTRICAL COMPONENTS SYSTEM (NO DRIVE)	26
PL COVER ELECTRONIC SYSTEM (NO DRIVE)	28
PL REAR WHEELS SYSTEM	30
PL SQUEEGEE SYSTEM	32
PL BRUSHES	34



Pos.	Artikel-Nr.	Menge	Variante	Notes
1		1	SOLUTION TANK SYSTEM	[1]
2		1	RECOVERY TANK SYSTEM	[2]
3		1	WHEELS SYSTEM	[3]
4		1	HANDLEBAR SYSTEM	[4]
5		1	SOLUTION SYSTEM	[5]
6		1	REAR WHEELS SYSTEM	[6]
7		1	SQUEEGEE SYSTEM	[7]
8		1	BRUSH DECK SYSTEM	[8]
9		1	ELECTRICAL COMPONENTS SYSTEM	[9]
10		1	COVER ELECTRONIC SYSTEM	[10]
11		1	DETERGENT SYSTEM	[11]

Part Notes:

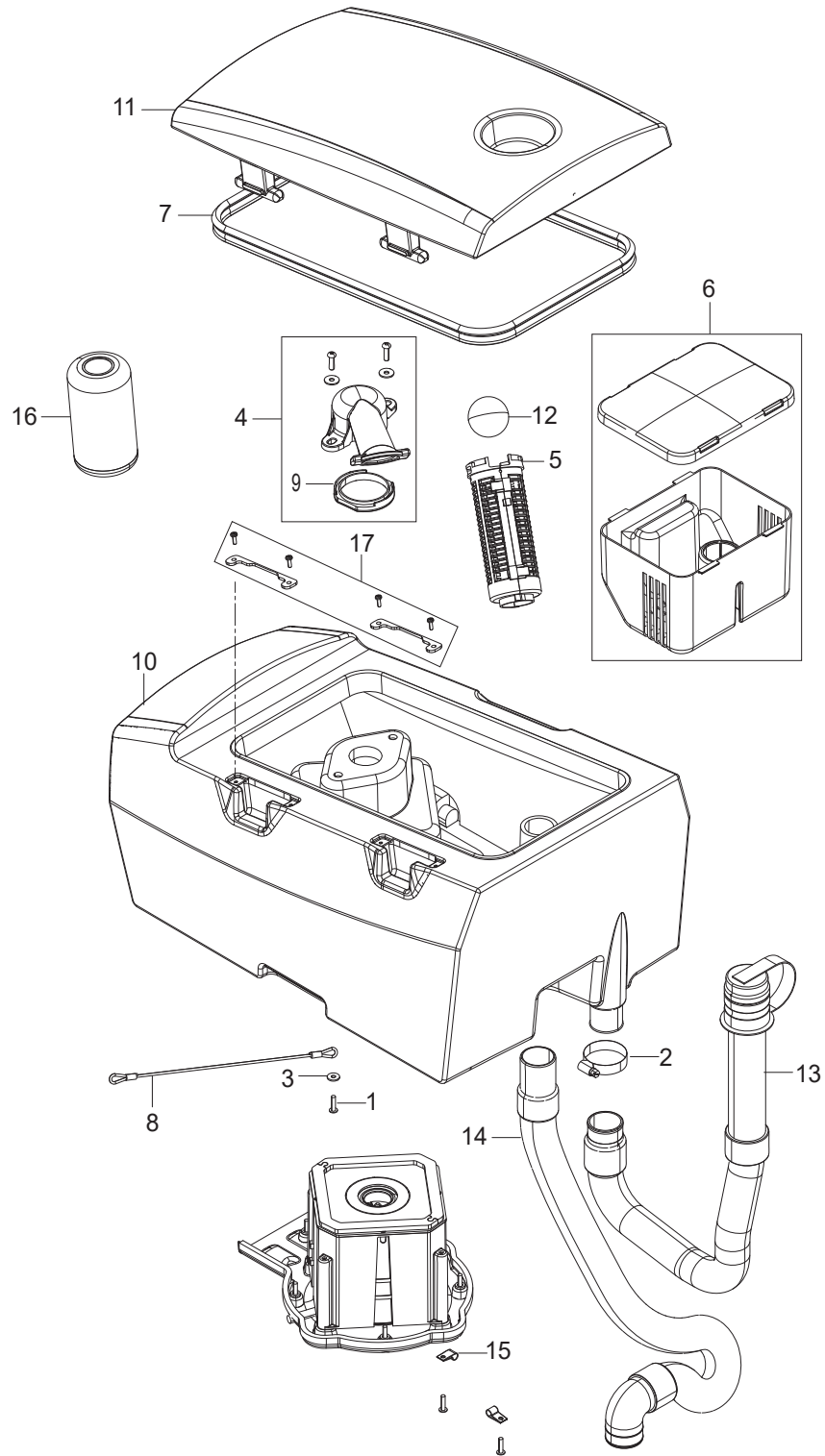
- [1] - PL SOLUTION TANK SYSTEM
- [2] - PL RECOVERY TANK SYSTEM
- [3] - PL WHEELS SYSTEM
- [4] - PL HANDLEBAR SYSTEM
- [5] - PL SOLUTION SYSTEM
- [6] - PL REAR WHEELS SYSTEM
- [7] - PL SQUEEGEE SYSTEM
- [8] - PL BRUSH DECK
- [9] - PL ELECTRICAL COMPONENTS SYSTEM
- [10] - PL COVER ELECTRONIC SYSTEM
- [11] - PL DETERGENT SYSTEM



Pos.	Artikel-Nr.	Menge	Variante	Notes
1	1402809	1	Schlauchstutzen/Nippel	
2	9100002424	1	HARDWARE SOLUTION TANK KIT	
3	9100002434	1	DECALS FUNCTIONS SETTING KIT	
4	909 6236 000	1	Abdeckung, schwarz	
5	9100000574	1	FITTING STRAIGHT G1/2 D.20 KIT	
6	9100000703	1	Füllschlauch	
7	9100001139	1	GASKET RUBBER D.21X33X2.5 BLACK SIP	
8	9100002431	1	Frischwasser-Füllschlauch	
9	L08193000	2	CLAMP CABLE BLACK	
10	9100002425	1	HARNES MACHINE DRIVE SIP	
11	9100002427	1	TANK SOLUTION 30L PLAST. GREY DRIVE SIP	[1]
11	9100002428	1	TANK SOLUTION 30L PLAST. GREY SIP	[2]
12	9100002430	1	CAP RUBBER F SOLUTION TANK SIP	
13	9100002432	1	SUPPORT PEDAL SS F DRIVE VERS. SIP	
14	L08603916	1	BRIDE	
15	9100002435	1	CONNECTOR MALE THD 3/4 G PLAST.BLACK SIP	
16	9100002572	1	Schnellkupplung zum Befüllen	[3]
17	9100003435	1	INSERT SKD M6 D12X12 SET	
NS	9100003010	1	DECALS NILFISK SC401 KIT	
NS	9100003011	1	DECALS ADVANCE SC401 KIT	

Part Notes:

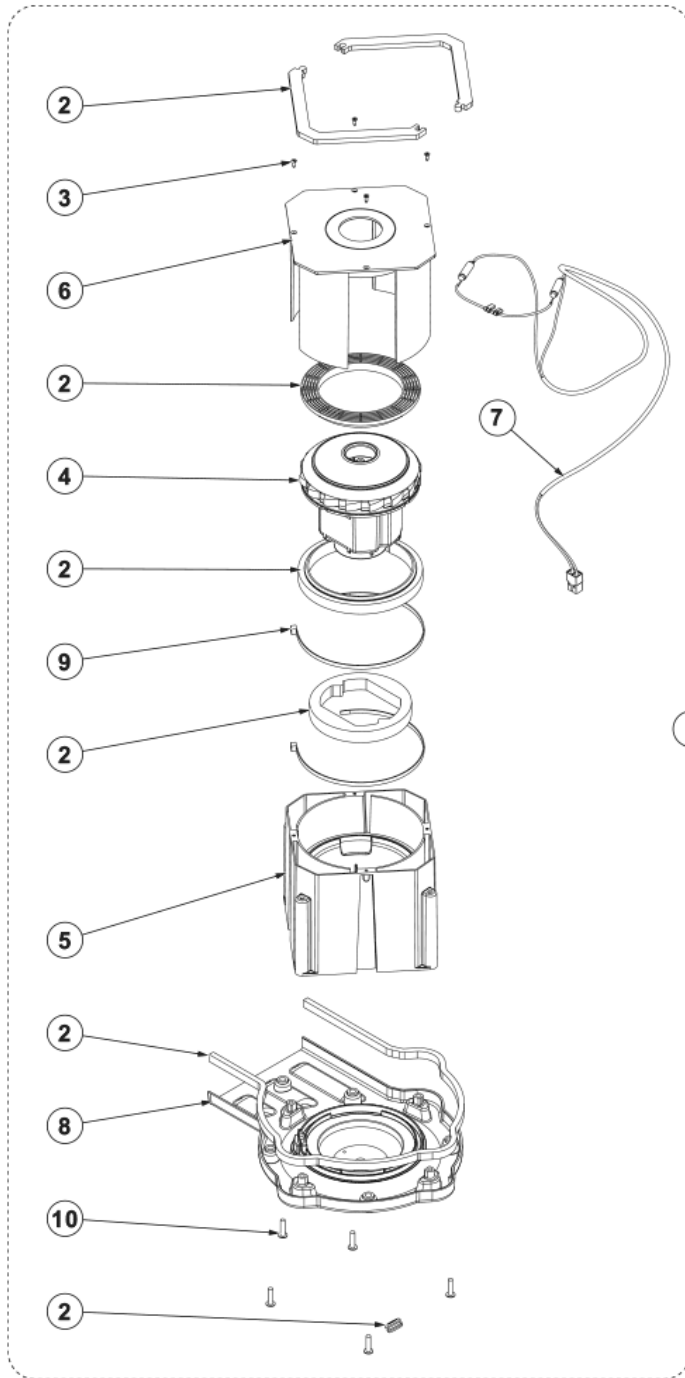
- [1] - With Drive
- [2] - Without Drive
- [3] - OPTIONAL



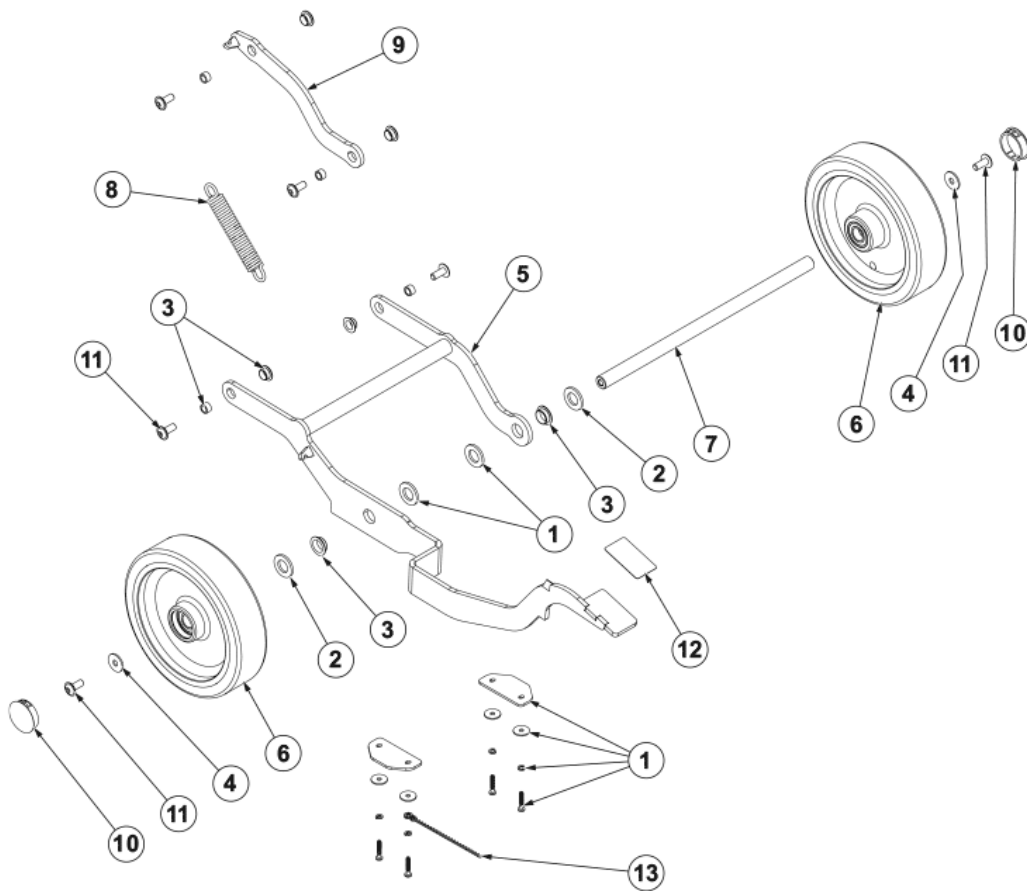
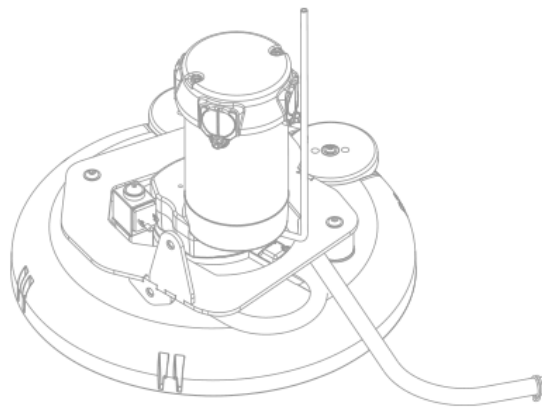
Pos.	Artikel-Nr.	Menge	Variante	Notes
1	9100002437	1	SCREW M5X20 TORX ISO7380-2 10 PCS SET	
2	9100001348	1	CLAMP 14/32-52 10 PCS SET	
3	145 8280 000	1	WASHER 5X15X1.2 UNI6593	
4	9100001875	1	SUPPORT FLOAT KIT	
5	9100000818	1	CAGE FLOAT HALF 2 PCS SET	
6	9100000795	1	Schmutzfang-Set	
7	1467894000	1	GASKET BULB RUBBER L.2450 MM SIP	
8	9100002438	1	CABLE SAFETY F TANK SIP	
9	9100000928	1	GASKET FLOAT SUPPORT PKD	
10	9100002984	1	TANK RECOVERY 30L PLAST. GREY KIT	
11	9100002441	1	COVER PLAST. GREY F TANK 30L SIP	
12	9100000817	1	Kugel Schwimmerventil	
13	9100002443	1	Abwasserschlauch L.530mm SIP	
14	9100002444	1	Saugschlauch 90 Schwarz L.970mm SIP	
15	L08193000	2	CLAMP CABLE BLACK	
16	909 5065 000	1	Filter antischäum	[1]
17	9100002985	1	PLATE HINGE LOCATOR KIT	

Part Notes:

[1] - OPTIONAL



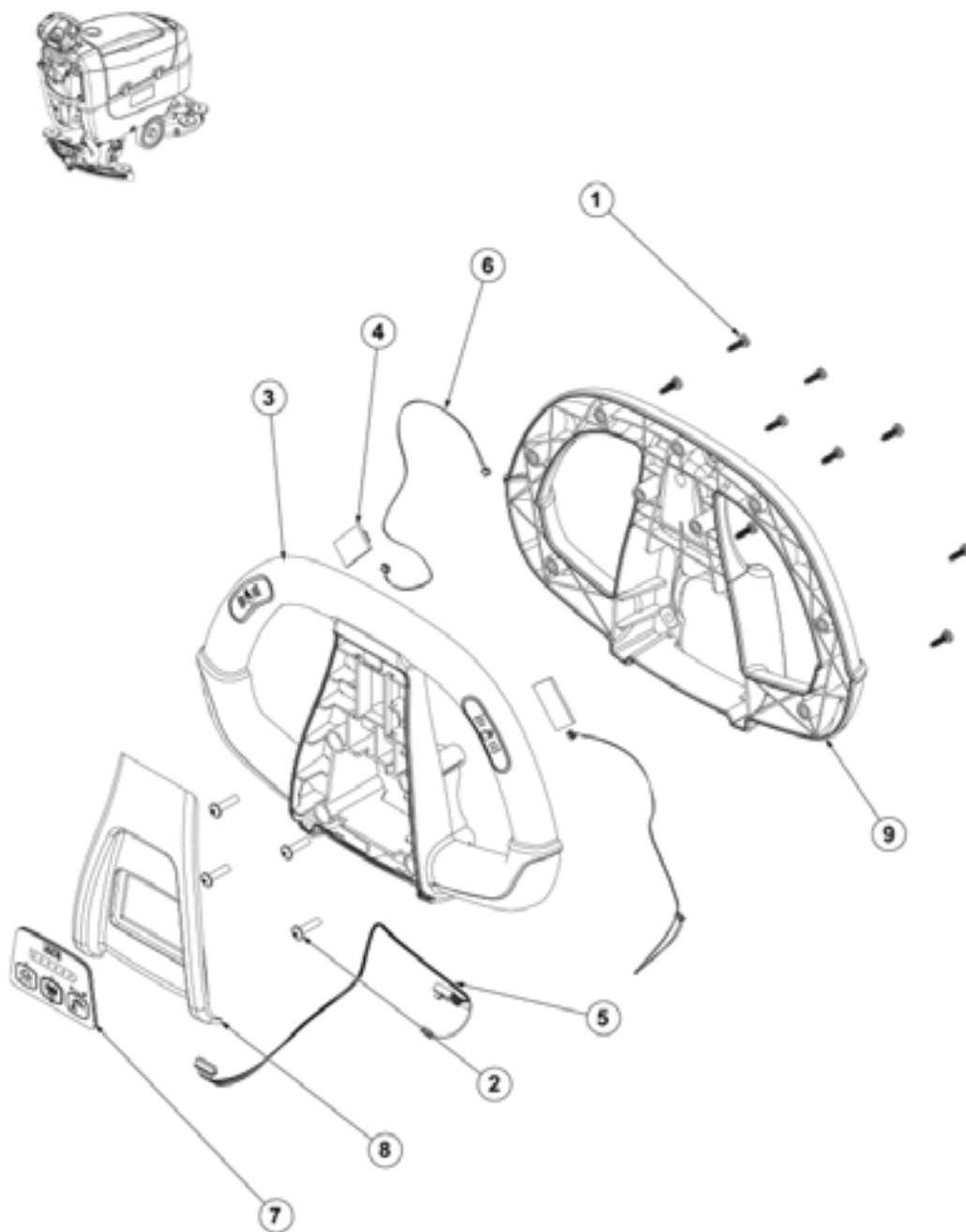
Pos.	Artikel-Nr.	Menge	Variante	Notes
1	9100002533	1	MOTOR VACUUM 280W 24W KIT	
2	9100002447	1	GASKETS VAC. MOTOR KIT	
3	145 1756 000	4	Schraube 2.5x9.5	
4	9100000823	1	Saugmotor 24V 280W PKD	
5	9100001983	1	SUPPORT EXT. PLAST. F VAC. MOTOR KIT	
6	9100001989	1	SUPPORT INT. PLAST. F VAC. MOTOR SIP	
7	9100002445	1	HARNESS VACUUM MOTOR 24V SIP	
8	9100002446	1	STÜTZE PLAST. F VAKUUMMOTOR SIP	
9	1466337000	1	TIE CABLE 4.8X430 WHITE 2 PCS SET	
10	9100002437	1	SCREW M5X20 TORX ISO7380-2 10 PCS SET	



Pos.	Artikel-Nr.	Menge	Variante	Notes
1	9100002465	1	HARDWARE FRONT WHEELS SYST.NO DRIVE KIT	
2	33023628	1	WASHER PLAIN M16X30 ISO7089 10PCS.SET	
3	9100002458	1	BUSHINGS AND BEARINGS F PEDAL SYST. KIT	
4	33023660	1	WASHER PLAIN M8X24X2 ISO7093 5 PCS SET	
5	9100002461	1	PEDAL BRUSH LIFTING GALV. SIP	
6	9100002462	2	WHEEL D.200X50 TPE BLACK/GREY SIP	
6	9100002546	1	SET VORDERRÄDER D.200 PU GRAU-SCHWARZ 2X	[1]
7	9100002463	1	SHAFT WHEELS PHOS. SIP	
8	9100002452	1	SPRING EXTENTION D.E.20.5 WIRE D.3.5 SIP	
9	9100002464	1	LEVER BRUSH DECK GALV. SIP	
10	9100002450	1	PLUG DOME O.D.42.4 PLAST.BLACK 2 PCS SET	
11	9100002456	1	SCREW M8X20 BUTTON ISO7380-2 10 PCS SET	
12	9100002457	1	ANTI-SLIP SURFACING BLACK 35X60MM SIP	
13	9100002459	1	CHAIN WEYELET GROUND KIT	

Part Notes:

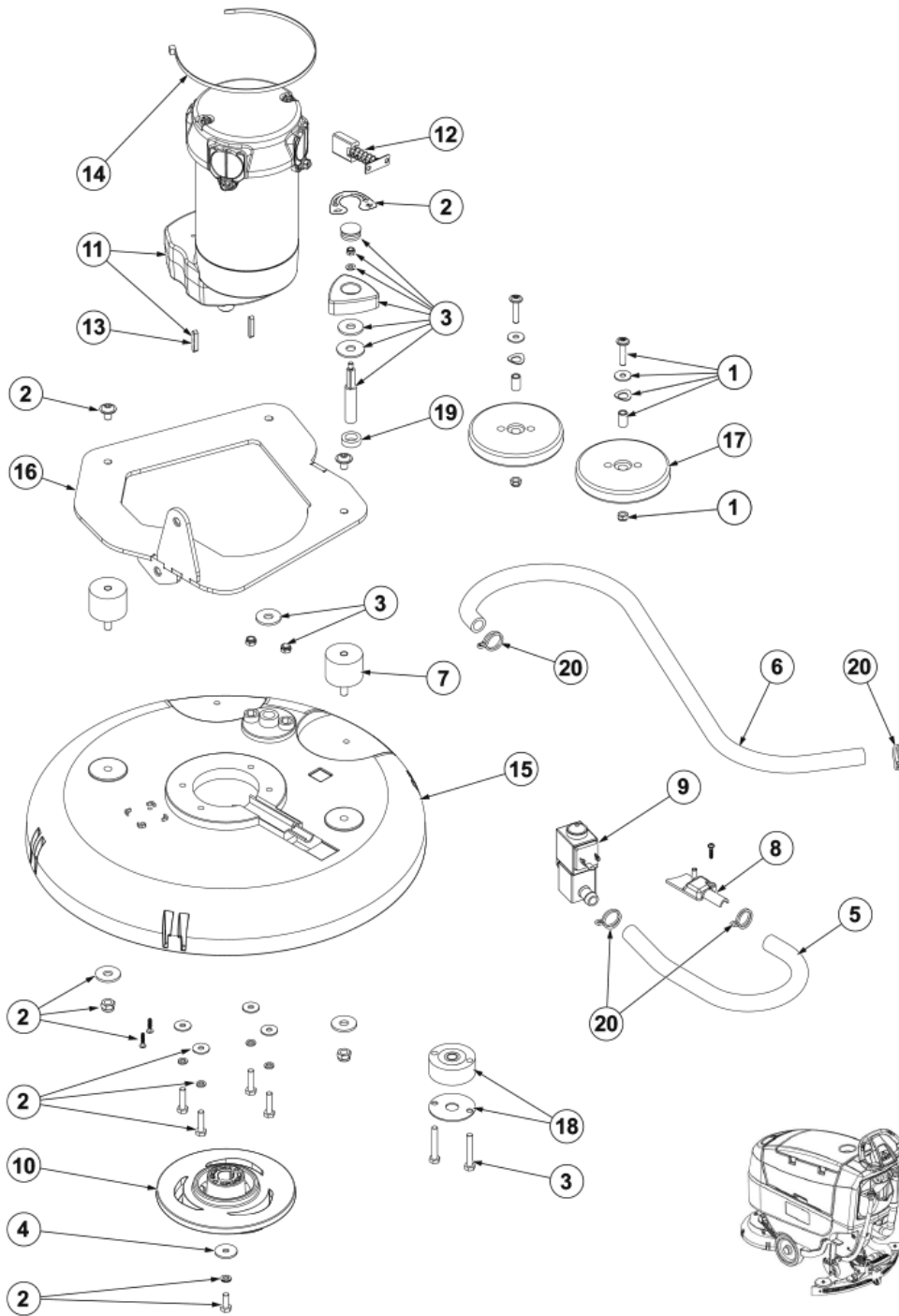
[1] - OPTIONAL



Pos.	Artikel-Nr.	Menge	Variante	Notes
1	140 9214 040	9	Schraube 40x14	
2	9100002437	1	SCREW M5X20 TORX ISO7380-2 10 PCS SET	
3	9100002467	1	COVER PLAST. F HANDLE BAR SIP	[1]
4	9100002016	2	SENSOR CAPACITIVE SIP	
5	9100002468	1	HARNESS DASHBOARD SIP	
6	9100002469	2	HARNESS HANDLE BAR SENSORS SIP	
7	9100002472	1	CONTROLLER USER INTERFACE 24V SIP	
8	9100002553	1	COVER CENTRAL PLAST. F HANDLE BAR SIP	
9	9100003037	1	HANDLE BAR KIT	[2]

Part Notes:

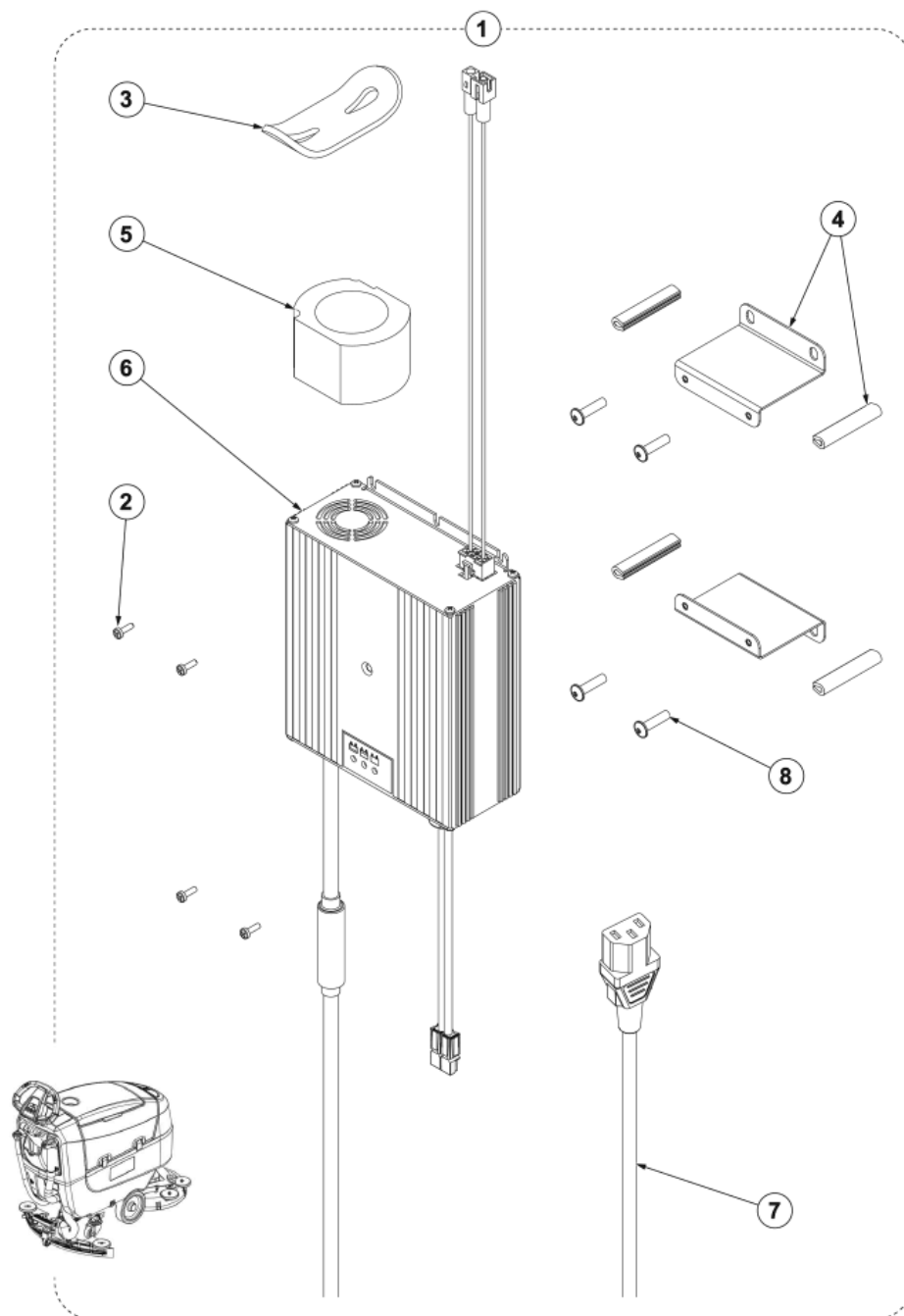
- [1] - PLEASE REFER TO TSB-FC-2020-012
 TSB-FC-2020-012 SC401 handelbar
 DE TSB-FC-2020-012 SC401 Bediengriff
- [2] - TSB-FC-2020-012 SC401 handelbar
 DE TSB-FC-2020-012 SC401 Bediengriff



Pos.	Artikel-Nr.	Menge	Variante	Notes
1	9100002481	1	HARDWARE BUMPER WHEELS KIT	
2	9100002482	1	Hardware Kit für Bürstenhalterung	
3	9100002483	1	KNOB BRUSH SPEED ADJUSTM. KIT	
4	9100001272	1	WASHER PLAIN M6X24 SS ISO7093 10 PCS SET	
5	9100002479	1	HOSE PVC W/SPIRAL D.12X18 L.330MM SIP	
6	9100002480	1	HOSE PVC W/SPIRAL D.12X18 L.800MM SIP	
7	9100000868	1	Silent Bloc M8 60SH 2 PCS SET	
8	9100000869	1	COVER SOLUTION HOSE SUPPORT PKD	
9	9100000870	1	Magnetventil 24V PKD	
10	9100000871	1	Polygonaufnahme	[1]
K1	9097093000	1	Polygonhalter-Kit	[1]
11	9100000874	1	BÜRSTENMOTOR 450W 24V PKD	[2]
12	9098376000	1	CARBON BRUSHES KIT 4 PCS	
13	9100000875	1	Keil Polygonaufnahme 2 PSC SET	
14	9100002449	1	TIE CABLE 4.8X500 BLACK 2 PCS SET	
15	9100002477	1	DECK BRUSH 430MM/17 PLAST. SIP	
16	9100002478	1	PLATE BRUSH DECK HOLDER GALV. SIP	
17	9100001816	1	WHEEL BUMPER D.100 PLASTIC 2 PCS SET	
18	L08812780	1	Fixierungskkit BA 450/530	
19	9100002484	1	SPACER D.12.5X20 H.6 PLAST. SIP	
20	9100001159	1	CLAMP DOUBLE WIRE SPRING D.18 10 PCS SET	

Part Notes:

- [1] - TSB-FC-2019-037 brush hub SC500_SC2000_SC401
DE TSB-FC-2019-037 SC500 SC2000 SC401 Bürstenaufnahme
- [2] - FOR SINGLE DISC VERSION



Pos.	Artikel-Nr.	Menge	Variante	Notes
1	9100002545	1	Einbauladegerät 24V 13A	[1]
1	9100002751	1	CHARGER BATT O/B 24V 10A 100-240V JP KIT	[2]
2	9100002502	1	SCREW M3X10 PAN HD ISO7045 10 PCS SET	
3	9100000829	1	BAND ELASTIC F EXTENSION CABLE PKD	
4	9100002503	1	SUPPORT GALV. F BATTERY CHARG. KIT	
5	9100002504	1	SLEEVE RUBBER BLACK F BATT. CHARGER SIP	
6	9100002505	1	CHARGER BATT.O/B 24V 10A EU W/SLEEVE KIT	[3]
6	9100002506	1	CHARGER BATT.O/B 24V 10A US W/SLEEVE KIT	[4]
6	9100003021	1	CHARG. BATT. O/B 24V 10A 100-240V JP SIP	
7	9100000787	1	CABLE EXTENSION EU PLUG L.2000 PKD	[5]
7	1466318000	1	CABLE EXTENSION UK PLUG L.2000MM SIP	[5]
7	1467891000	1	CHARGER POWER CABLE 2M SWISS PLUG	
8	9100002437	1	SCREW M5X20 TORX ISO7380-2 10 PCS SET	

Part Notes:

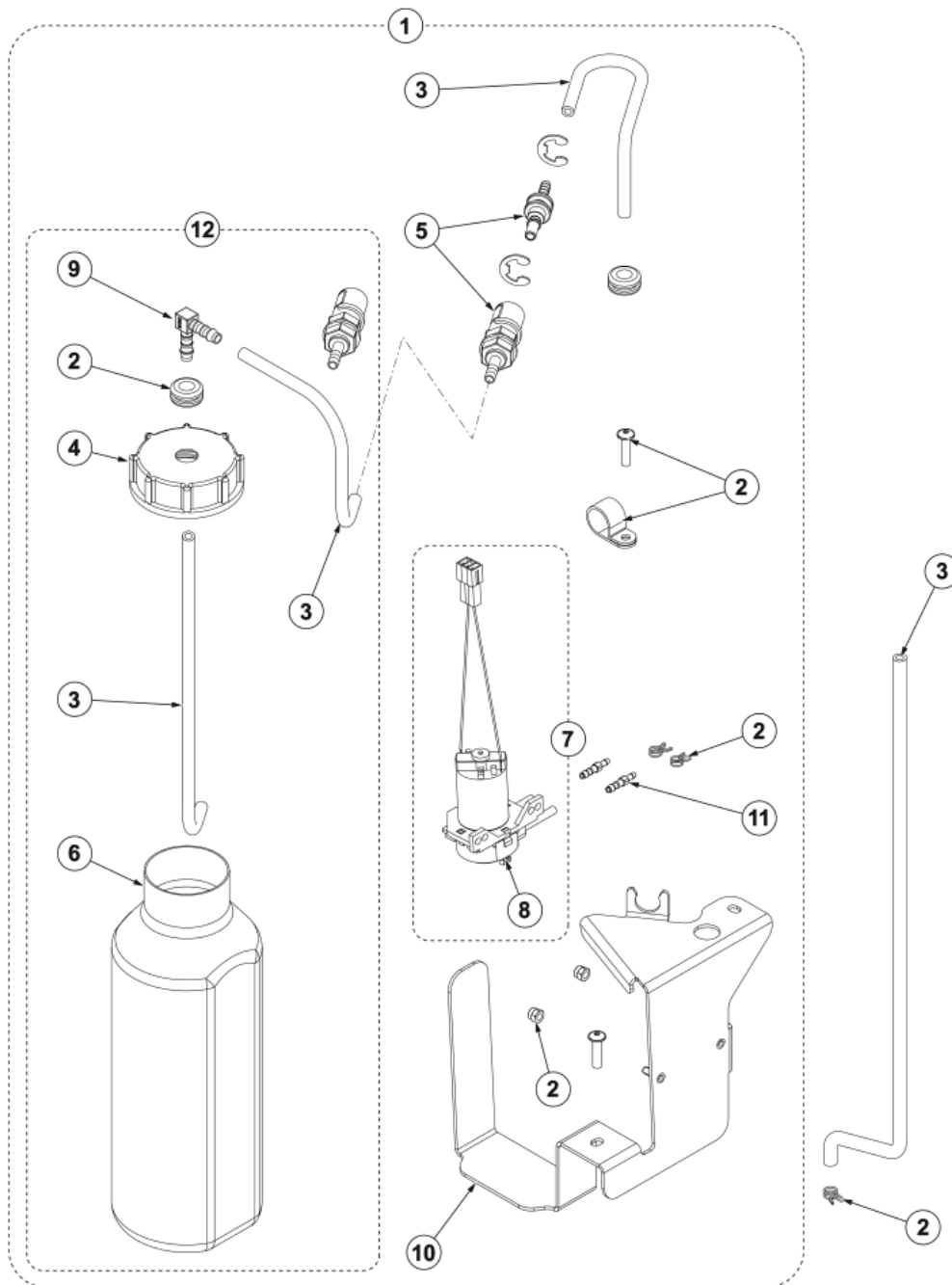
- [1] - OPTIONAL - SEE INST. INSTR. 9100002551
SEE TSB-FC-2018-009

TSB-FC-2020-008 SC401 OBC
DE TSB-FC-2020-008 SC401 Onboard Ladegerät
- [2] - OPTIONAL - SEE INST. INSTR. 9100002752
NO OTHER PARTS AVAILABLE
SEE TSB-FC-2018-009

TSB-FC-2020-008 SC401 OBC
DE TSB-FC-2020-008 SC401 Onboard Ladegerät
- [3] - Including sleeve 9100002504
SEE TSB-FC-2018-009
DE TSB-FC-2018-009 SC401 onboard Ladegerät

TSB-FC-2020-008 SC401 OBC
DE TSB-FC-2020-008 SC401 Onboard Ladegerät
- [4] - ONLY FOR US VERSION - incl. Sleeve 9100002504
SEE TSB-FC-2018-009
DE TSB-FC-2018-009 SC401 onboard Ladegerät

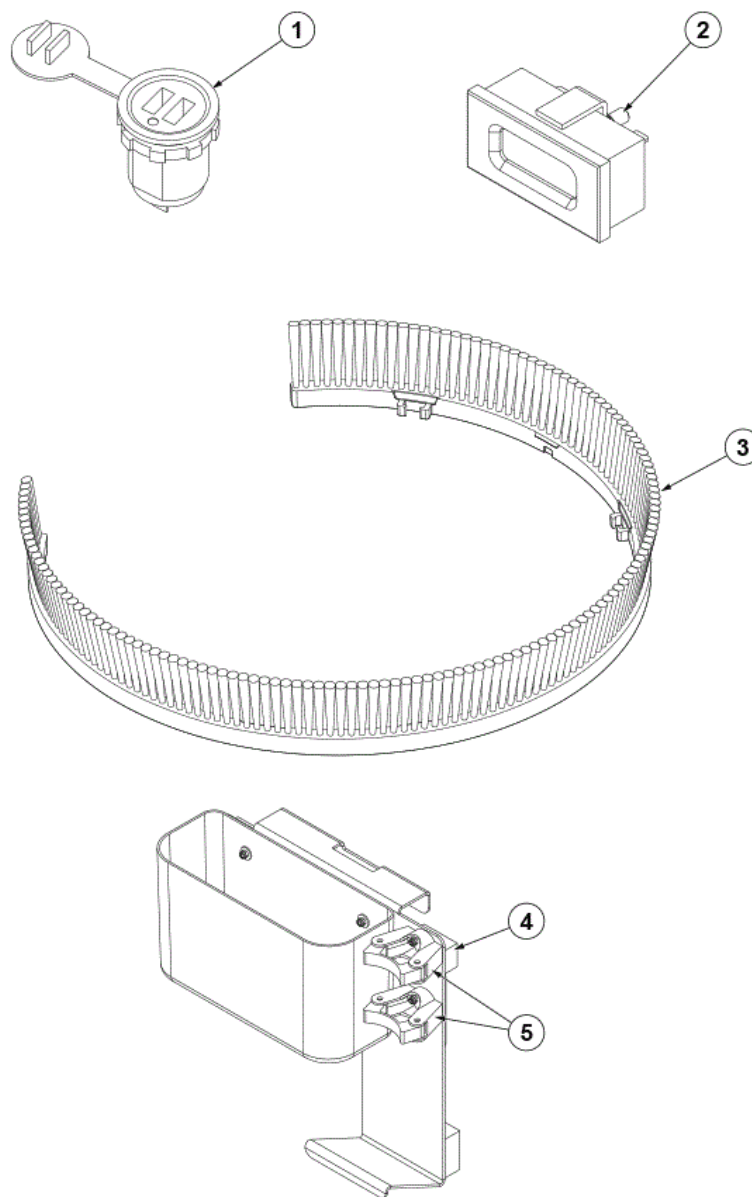
TSB-FC-2020-008 SC401 OBC
DE TSB-FC-2020-008 SC401 Onboard Ladegerät
- [5] - FOR EU/UK MACHINE



Pos.	Artikel-Nr.	Menge	Variante	Notes
1	9100002531	1	Reinigungsmittel-Dosiersystem Kit	[1]
2	9100002510	1	HARDWARE DETERGENT SYSTEM KIT	
3	9100002534	1	HOSES SILICONE D.4X7 KIT	
4	301001004	1	Deckel	
5	9100002508	1	HOLDERS RUBBER KIT	
6	31000912	1	1L Flasche ohne Deckel	
7	9100002398	1	Chemiepumpe 24V SIP	
8	9100002388	1	HEAD PERISTALTIC PUMP DETERG. SIP	
9	L08603189	1	Plastikwinkel SR 1450	
10	9100002509	1	SUPPORT GALV. F PERISTALTIC PUMP SIP	
11	9100002402	1	BARB HOSE STRAIGHT D.5-D.4 2 PCS SET	
12	9100002575	1	Gebinde 1 Ltr	

Part Notes:

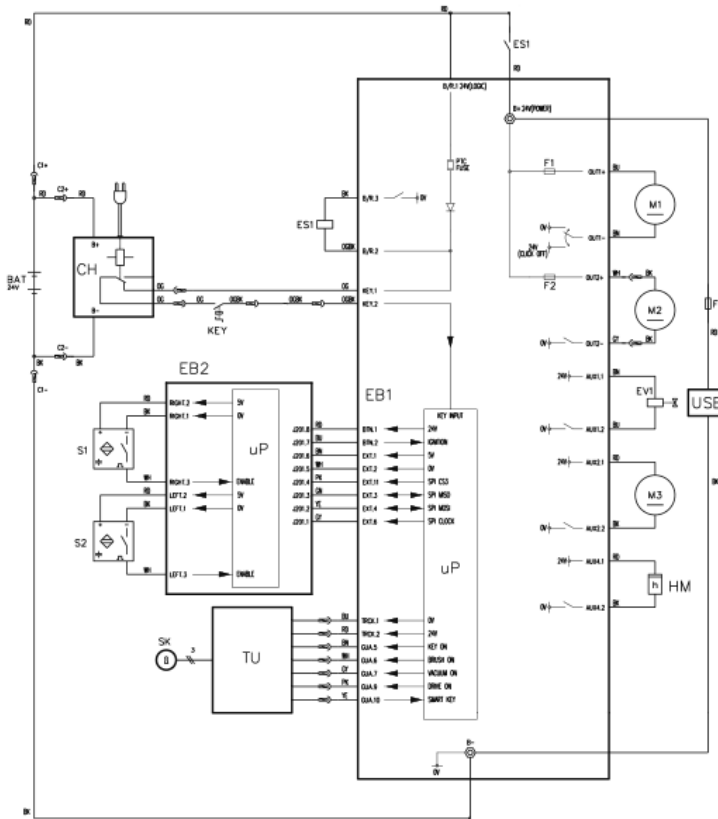
[1] - OPTIONAL - SEE INST. INSTR. 9100002550



Pos.	Artikel-Nr.	Menge	Variante	Notes
1	9100002258	1	USB Anschluss Kit	[1]
1	9100002607	1	USB PORT WITH KEY SC401/SCRUBTEC 344	[2]
2	9100002257	1	Stundenzähler 24V Kit	[3]
3	9100001927	1	Spritzschutz m. Borsten 17", 432 mm	[4]
4	9100002280	1	Mophalter, Zubehörkorb	[5]
5	9100001369	2	Mophalter	

Part Notes:

- [1] - OPTIONAL - SEE INST. INSTR. 9100002548
ONLY FOR MACHINE WITH DRIVE
- [2] - OPTIONAL - SEE INST. INSTR. 9100002610
ONLY FOR MACHINE WITH NO DRIVE
- [3] - IS 9100002547 FOR KIT 9100002257
OPTIONAL - SEE INST. INSTR. 9100002547
- [4] - OPTIONAL
- [5] - IS 9100002279 FOR KIT 9100002280
IS 9100002279 FOR KIT 9100002280
OPTIONAL - SEE INST. INSTR. 9100002279



Pos.	Artikel-Nr.	Menge	Variante	Notes
BAT			BATTERIES	
C1	9100002248		CONNECTOR 50A RED SIP	
C2			CONNECTOR	
CH	9100002505		CHARGER BATT.O/B 24V 10A EU W/SLEEVE KIT	[1]
EB1	9100003190		CONTROLLER MAIN MACHINE BAT KIT	
EB2	9100002472		CONTROLLER USER INTERFACE 24V SIP	
ES1	145 3712 000		Relaise 24 V	
EV1	9100000870		Magnetventil 24V PKD	
F1	145 8513 000		FUSE BLADE 30A UL	
F2	145 8513 000		FUSE BLADE 30A UL	
F4			FUSE	
HM	9100002257		Stundenzähler 24V Kit	[2]
KEY	9100001354		Schlüsselschalter komplett	
M1	9100000874		BÜRSTENMOTOR 450W 24V PKD	[3]
M2	9100000823		Saugmotor 24V 280W PKD	
M3	9100002398		Chemiepumpe 24V SIP	
S1,S2	9100002016		SENSOR CAPACITIVE SIP	
SK			SMART KEY	
TU			TRACK CLEAN	
USB	9100002258		USB Anschluss Kit	

Part Notes:

- [1] - TSB-FC-2020-008 SC401 OBC
DE TSB-FC-2020-008 SC401 Onboard Ladegerät
- [2] - IS_9100002547_FOR KIT 9100002257
- [3] - FOR SINGLE DISC VERSION

Pos.	Artikel-Nr.	Menge	Variante	Notes
NW	910000920	1	CARBON BRUSHES W/HOLDER KIT	
NW	9100002541	1	Sauglippenset Gummi 700mm 28 Gum Kit	
NW	9100002542	1	Saugluppen-Set 700mm 28 PU	
NW	9100002543	1	Sauglippenset Gummi 700mm 28 Gum Rot Kit	
NW	9098376000	1	CARBON BRUSHES KIT 4 PCS	
OM	910000703	1	Füllschlauch	
OM	9100002431	1	Frischwasser-Füllschlauch	
OM	9100002443	1	Abwasserschlauch L.530mm SIP	
OM	9100002444	1	Saugschlauch 90 Schwarz L.970mm SIP	
OM	9100002447	1	GASKETS VAC. MOTOR KIT	
OM	9100000823	1	Saugmotor 24V 280W PKD	
OM	9100002462	2	WHEEL D.200X50 TPE BLACK/GREY SIP	
OM	9100002546	1	SET VORDERRÄDER D.200 PU GRAU-SCHWARZ 2X	
OM	9100000856	1	Lenkräder hi. 2 PCS SET	
OM	9100002396	1	SLEEVE RUBBER BLACK F SUCTION HOSE SIP	
OM	9100000861	1	NET WATER FILTER REINFORCED PKD	
OM	9100002570	1	SQUEEGEE 700MM 28 PLAST. KIT	
OM	9100000862	1	KNOB LOBES M8 FEMALE PKD	
OM	9100000747	1	SQUEEGEE 730MM/29 PRE-ASSEMBLED PKD	
OM	9100000559	3	Rad grau D.51	
OM	9100000864	1	STRAP ELASTIC F REAR SQUEEGEE BLADE PKD	
OM	9100000865	1	STRAP FRONT SQUEEGEE BLADE PKD	
OM	9100001816	1	WHEEL BUMPER D.100 PLASTIC 2 PCS SET	
OM	9100000870	1	Magnetventil 24V PKD	
OM	9100000871	1	Polygonaufnahme	
OM	9100000874	1	BÜRSTENMOTOR 450W 24V PKD	[1]
OM	9100001816	1	WHEEL BUMPER D.100 PLASTIC 2 PCS SET	
OM	9100000870	1	Magnetventil 24V PKD	
OM	9100000871	1	Polygonaufnahme	
OM	9100000874	1	BÜRSTENMOTOR 450W 24V PKD	[1]
OM	9100001816	1	WHEEL BUMPER D.100 PLASTIC 2 PCS SET	
OM	145 8513 000	3	FUSE BLADE 30A UL	
OM	9100002534	1	HOSES SILICONE D.4X7 KIT	
OM	9100002388	1	HEAD PERISTALTIC PUMP DETERG. SIP	
EOM	9100002480	1	HOSE PVC W/SPIRAL D.12X18 L.800MM SIP	
EOM	9100002478	1	PLATE BRUSH DECK HOLDER GALV. SIP	
EOM	9100002483	1	KNOB BRUSH SPEED ADJUSTM. KIT	
EOM	9100002479	1	HOSE PVC W/SPIRAL D.12X18 L.330MM SIP	
EOM	9100002480	1	HOSE PVC W/SPIRAL D.12X18 L.800MM SIP	
EOM	9100002477	1	DECK BRUSH 430MM/17 PLAST. SIP	
EOM	9100003190	1	CONTROLLER MAIN MACHINE BAT KIT	
EOM	9100002489	1	HARNESSELECT.COMP.BOX BA DRIVE SIP	
EOM	9100002490	1	HARNESSELECT.BATTERY EU SIP	
EOM	9100002248	2	CONNECTOR 50A RED SIP	
EOM	1467035000	1	HOLDER FUSE THERMOPL.UL 94-V0 SIP	
EOM	145 3712 000	1	Relaise 24 V	
EOM	9100002496	1	GASKET BULB REINFORCED L.1050MM SIP	
EOM	9100002532	1	Schlüsserschalter	
EOM	9100001354	1	Schlüsselschalter komplett	
EOM	146 2887 000	1	Schlüssel (2 Stück)	
EOM	9100002501	1	HARNESSELECT.SWITCH STARTER SIP	
EOM	9100002545	1	Einbauladegerät 24V 13A	
EOM	9100002504	1	SLEEVE RUBBER BLACK F BATT. CHARGER SIP	
EOM	9100002505	1	CHARGER BATT.O/B 24V 10A EU W/SLEEVE KIT	
EOM	9100000787	1	CABLE EXTENSION EU PLUG L.2000 PKD	[2]
EOM	1466318000	1	CABLE EXTENSION UK PLUG L.2000MM SIP	[2]
EOM	9100000829	1	BAND ELASTIC F EXTENSION CABLE PKD	
EOM	9100002504	1	SLEEVE RUBBER BLACK F BATT. CHARGER SIP	
EOM	301001004	1	Deckel	

PL RECOMMENDED PARTS

SC401 B FULL PKG NIL

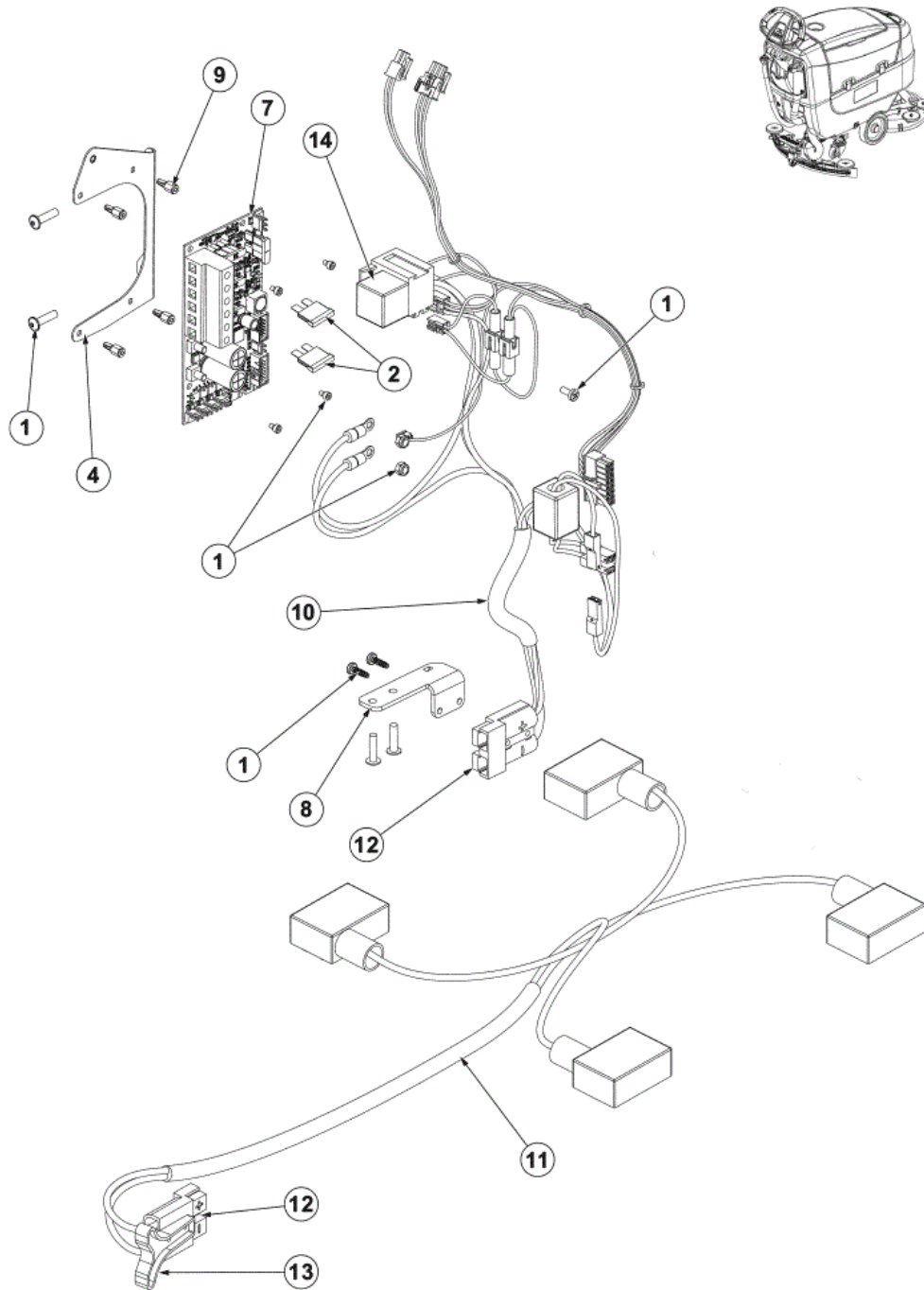
2017.11.02

2017.10.26

Pos.	Artikel-Nr.	Menge	Variante	Notes
EOM	9100002508	1	HOLDERS RUBBER KIT	
EOM	31000912	1	1L Flasche ohne Deckel	
EOM	9100002398	1	Chemiepumpe 24V SIP	

Part Notes:

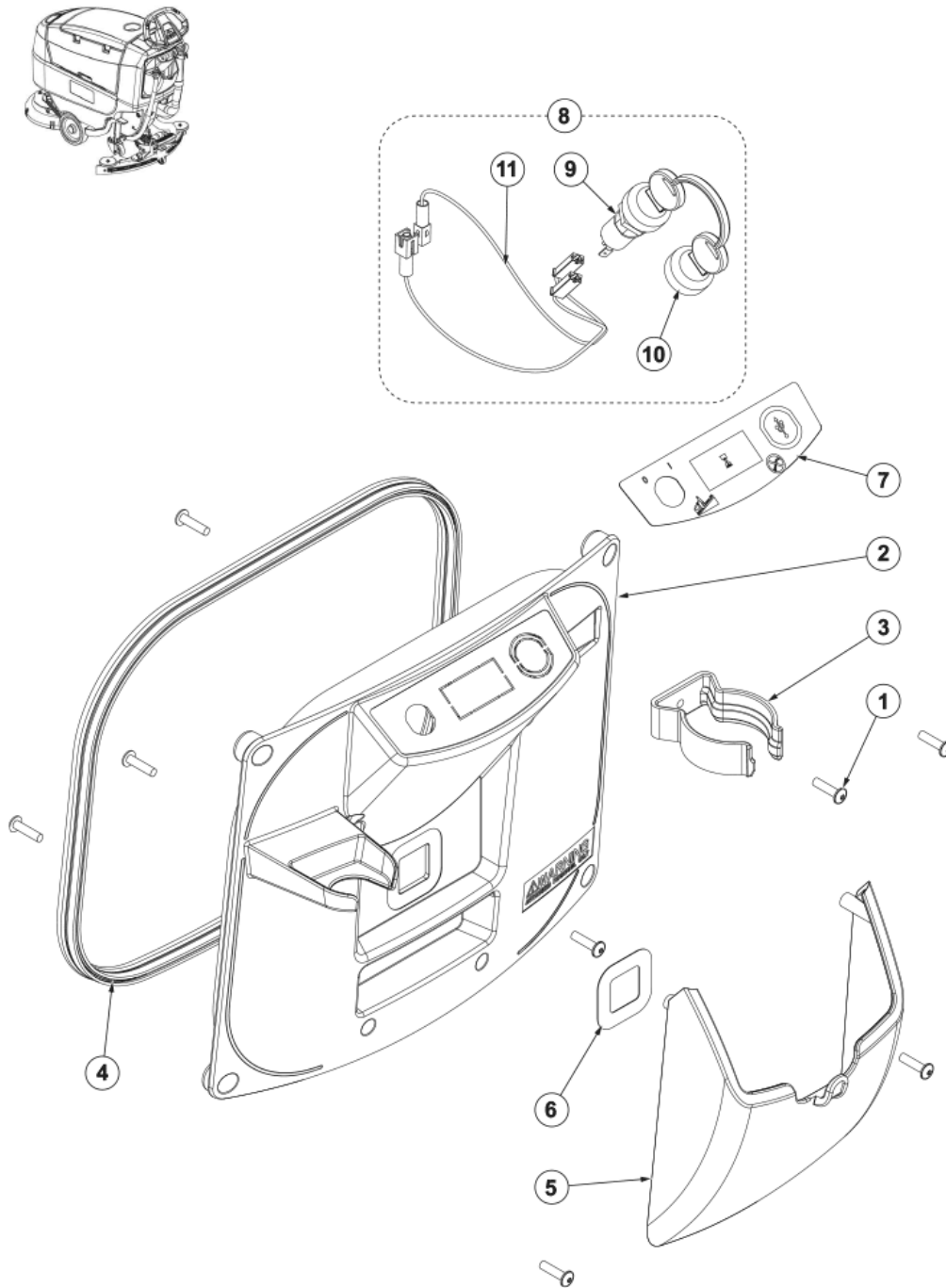
- [1] - FOR SINGLE DISC VERSION
- [2] - FOR EU/UK MACHINE



Pos.	Artikel-Nr.	Menge	Variante	Notes
1	9100002492	1	HARDWARE ELECTRICAL SYST. KIT	
2	145 8513 000	3	FUSE BLADE 30A UL	
4	9100002485	1	SUPPORT GALV. F CONTR. MAIN MACH. BA SIP	
7	9100003190	1	CONTROLLER MAIN MACHINE BAT KIT	
8	9100002487	1	SUPPORT GALV. F BATTERY CONNECTOR SIP	
9	9100002488	1	SUPPORT THD PLAST F CONTROLLER 4 PCS SET	
10	9100002088	1	HARNESS ELECT.COMP. BOX BA	
11	9100002490	1	HARNESS BATTERY EU SIP	
12	9100002248	2	CONNECTOR 50A RED SIP	
13	9100000885	1	Handgriff	
14	145 3712 000	1	Relaise 24 V	
	101221030	1	SERVICE TOOL BOX	[1]

Part Notes:

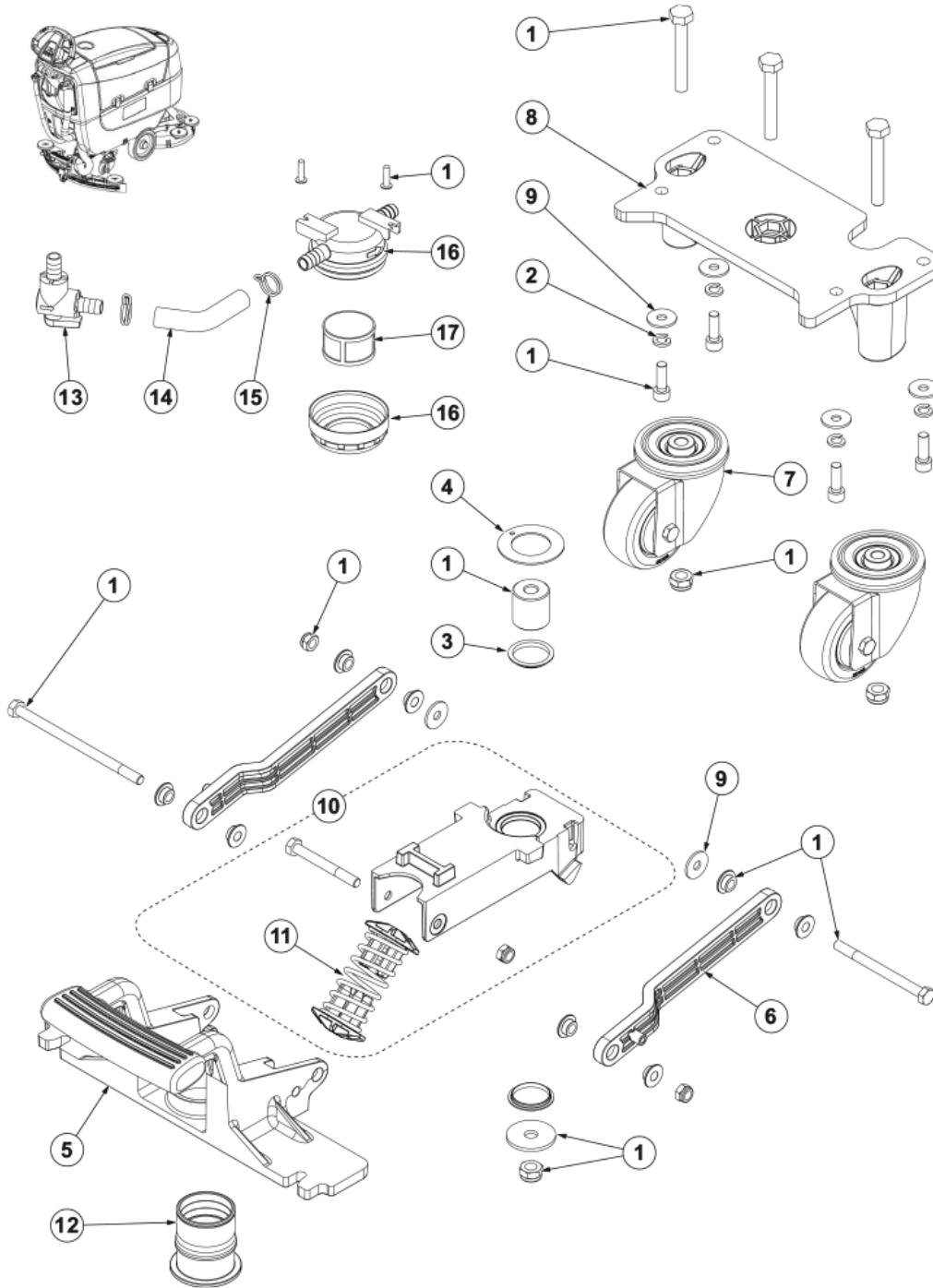
- [1] - SERVICE TOOLS
SM 9100002300 EN see page 34



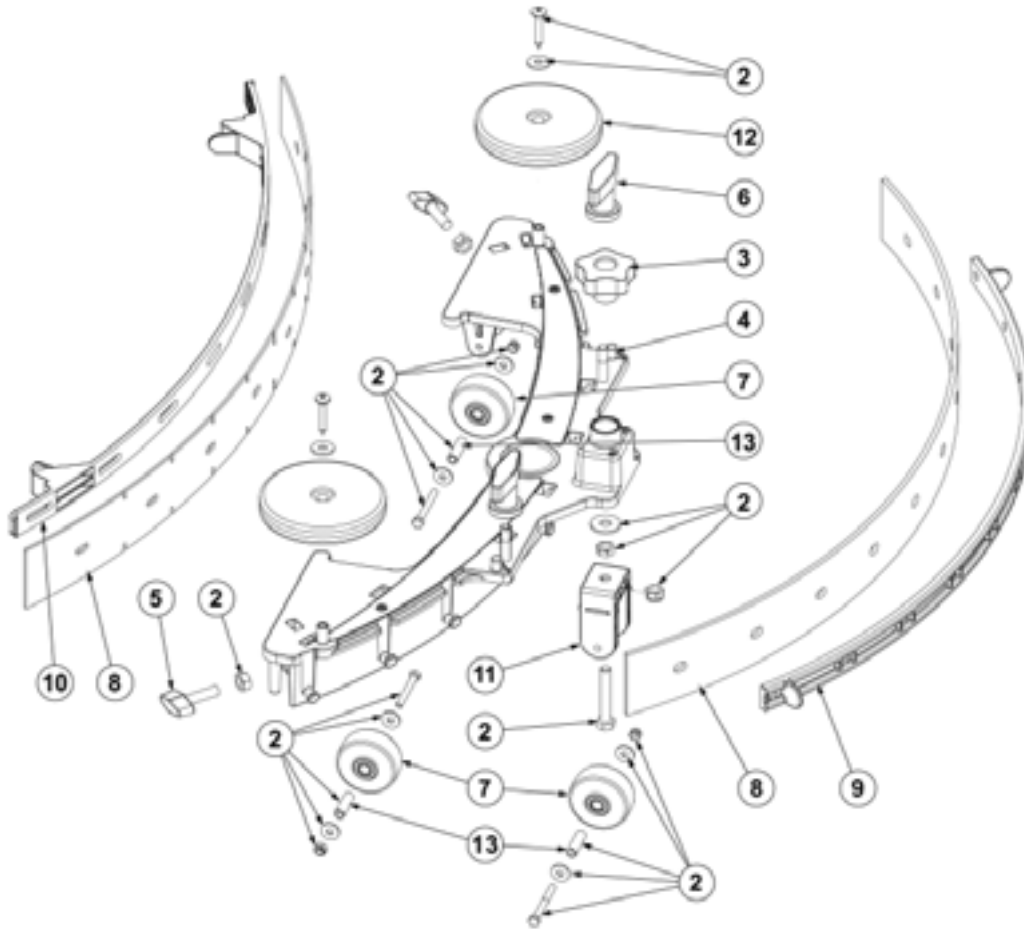
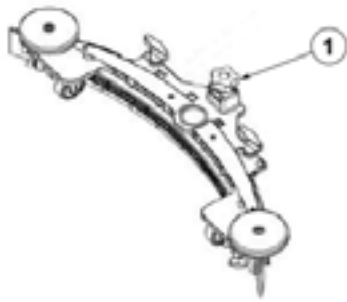
Pos.	Artikel-Nr.	Menge	Variante	Notes
1	9100002437	1	SCREW M5X20 TORX ISO7380-2 10 PCS SET	
2	9100002495	1	COVER PLAST. ELECT. COMP. BOX DRIVE SIP	
3	909 6380 000	1	Schlauchklammer BR 601BR 751	
4	9100002496	1	GASKET BULB REINFORCED L.1050MM SIP	
5	9100002497	1	POCKET PLAST. F ELECTR. BOX COVER SIP	
6	9100002498	1	DECAL TRANSP.BOX F EL.COVER INSPECT. SIP	
7	9100002499	1	DECAL ELECTRIC BOX COVER BA SIP	
8	9100002532	1	Schlüsserschalter	[1]
9	9100001354	1	Schlüsselschalter komplett	
10	146 2887 000	1	Schlüssel (2 Stück)	
11	9100002501	1	HARNESS SWITCH STARTER SIP	[2]

Part Notes:

- [1] - STANDARD FOR DRIVE
OPTIONAL FOR NO DRIVE - SEE INST. INSTR. 9100002549
- [2] - UNTILL S/N



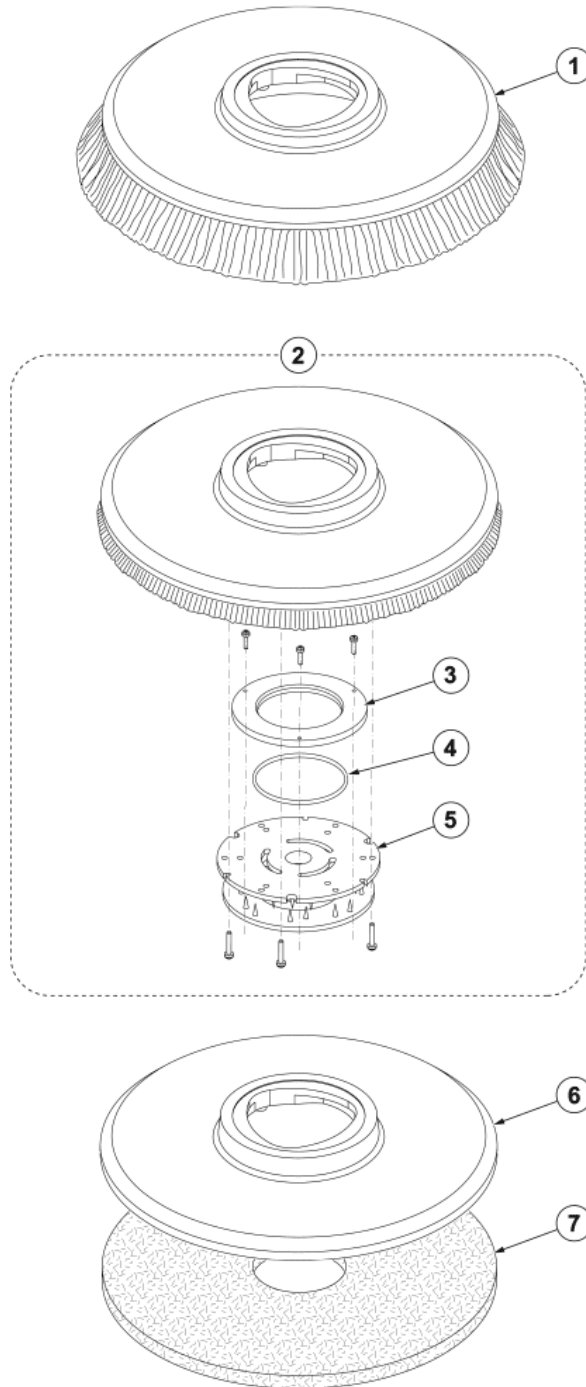
Pos.	Artikel-Nr.	Menge	Variante	Notes
1	9100002475	1	HARDWARE REAR WHEELS SYSTEM KIT	
2	33023223	1	U-Scheibe M8 UNI1751B 10 Stck.	
3	9100000902	1	BEARING FLANGE IGLIDUR 2 PCS SET	
4	9100000903	1	U-Scheibe GTM 3254-015 PKD	
5	9100000853	1	SUPPORT LOWER F SQUEEGEE PKD	
6	9100000854	1	LEVER SQUEEGEE LIFT 2 PCS SET	
7	9100000856	1	Lenkräder hi. 2 PCS SET	
8	9100002473	1	SUPPORT ALU F REAR WHEELS-SQUEEGEE SIP	
9	33023660	2	WASHER PLAIN M8X24X2 ISO7093 5 PCS SET	
10	9100002400	1	SUPPORT UPPER F SQUEEGEE KIT	
11	9100002401	1	SPRING COMPRESSION KIT	
12	9100002396	1	SLEEVE RUBBER BLACK F SUCTION HOSE SIP	
13	9100000803	1	HAHN	
14	9100002474	1	HOSE PVC W/SPIRAL D.12X18 L.100MM SIP	
15	9100001159	1	CLAMP DOUBLE WIRE SPRING D.18 10 PCS SET	
16	9100000860	1	Wasserfilter	
17	9100000861	1	NET WATER FILTER REINFORCED PKD	



Pos.	Artikel-Nr.	Menge	Variante	Notes
1	9100002570	1	SQUEEGEE 700MM 28 PLAST. KIT	
2	9100000748	1	HARDWARE SQUEEGEE KIT	
3	9100000862	1	KNOB LOBES M8 FEMALE PKD	
4	9100000747	1	SQUEEGEE 730MM/29 PRE-ASSEMBLED PKD	
5	9100000791	2	KNOB M8X30 THD STUD SS PKD	
6	9097637000	1	Befestigungskit BA 551	
7	9100000559	3	Rad grau D.51	
8	9100002541	1	Sauglippenset Gummi 700mm 28 Gum Kit	[1]
8	9100002542	1	Saugluppen-Set 700mm 28 PU	[1]
8	9100002543	1	Sauglippenset Gummi 700mm 28 Gum Rot Kit	[1]
9	9100000864	1	STRAP ELASTIC F REAR SQUEEGEE BLADE PKD	
10	9100000865	1	STRAP FRONT SQUEEGEE BLADE PKD	
11	9100000866	1	SUPPORT SQUEEGEE WHEEL SIP	
12	9100001816	1	WHEEL BUMPER D.100 PLASTIC 2 PCS SET	
13	9100002408	1	BEARING SLEEVE D.5.1X8 H.28.5 3 PCS SET	[2]

Part Notes:

- [1] - OPTIONAL
- [2] - K1



Pos.	Artikel-Nr.	Menge	Variante	Notes
1	L08812891	1	Bürste PP, mittel, 430 mm, 17"	[1]
1	909 5691 000	1	Bürste Mid Grit 180, mittelschwer	[1]
1	909 5692 000	1	Bürste Sica weich, Mid Grit 240	[1]
1	909 5693 000	1	Bürste PPN Prolite	[1]
1	909 5694 000	1	Bürste Union Mix	[1]
2	9100001897	1	PAD HOLDER BRISTLE 17 430MM	[1]
3	L08603966	1	Nylon Ring	
4	L08603965	1	SEAL O-RING	
5	56505195	1	Padverschluss m. Spange	
6	9100002050	1	Padhalter flach 17" 432mm	[1]
7	10001936	1	Eco Pad 17", Ø 432 mm, weiß, VPE 5	[1]
7	10001937	1	Eco Pad 17", Ø 432 mm, hellbraun, VPE 5	[1]
7	10001938	1	Eco Pad 17", Ø 432 mm, schwarz, VPE 5	[1]
7	10001939	1	Eco Pad 17", Ø 432 mm, blau, VPE 5	[1]
7	10001940	1	Eco Pad 17", Ø 432 mm, grün, VPE 5	[1]
7	10001941	1	Eco Pad 17", Ø 432 mm, rot, VPE 5	[1]
7	10002336	1	Eco Brill. Pad 17", Ø 431 mm, rot, VPE 2	[1]
7	10002337	1	Eco Brill. Pad 17", Ø 431 mm, blau, VPE	[1]
7	10002338	1	Eco Brill. Pad 17", Ø 431 mm, gelb, VPE	[1]
7	10002339	1	Eco Brill. Pad 17", Ø 431 mm, grün, VPE	[1]

Part Notes:

[1] - OPTIONAL

