



## So finden Sie Ihr gewünschtes Ersatzteil / Zubehör:

In dieser Ersatzteilliste finden Sie die Artikelnummer Ihres gesuchten Produkts. **Bitte geben Sie diese Artikelnummer in das „Suche“-Feld unseres Shops ein.**

Als Ergebnis wird Ihnen der Artikel mit Preis angezeigt und Sie können diesen bei Gefallen in den Warenkorb legen.

Sollten Sie das gesuchte Zubehör oder Ersatzteil nicht finden, helfen wir Ihnen gerne weiter.

Rufen Sie uns einfach an. Halten Sie bitte den Maschinentyp und das exakte Baujahr des Gerätes bereit:

**Tel.: +49 (0) 7303 901 980**

Robe Reinigungsmaschinen GmbH



**Hotline: 0 73 03 / 901 980**

Zur Aumühle 36 | 89257 Illertissen  
Tel.: 0 73 03 / 901 980 | Fax 0 73 03 / 901 981 8  
info@wap-nilfisk-alto-shop.de

**[www.wap-nilfisk-alto-shop.de](http://www.wap-nilfisk-alto-shop.de)**

**Weiterblättern zur Ersatzteilliste →**

# PARTS LIST



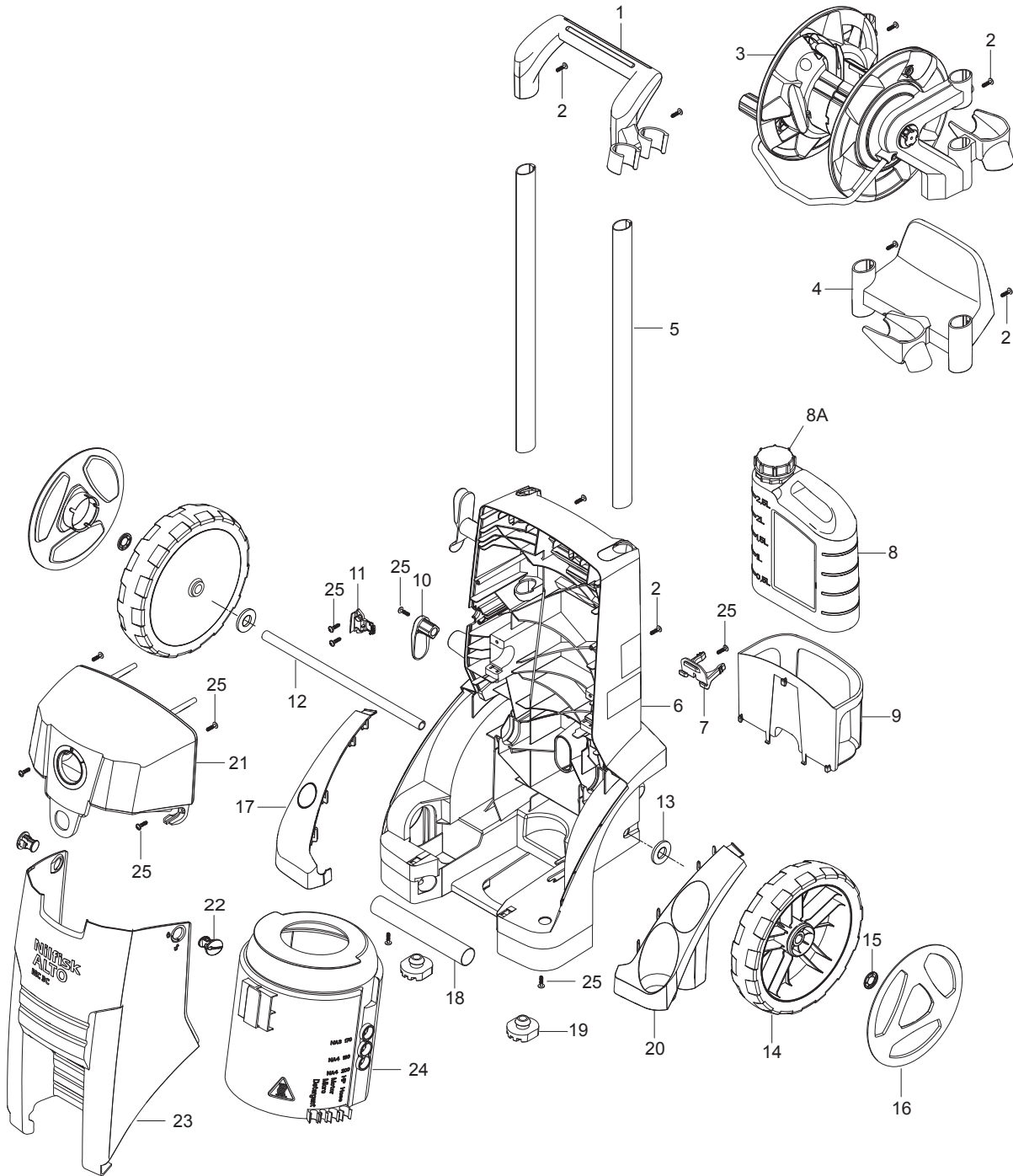
2024.08.08

# NILFISK

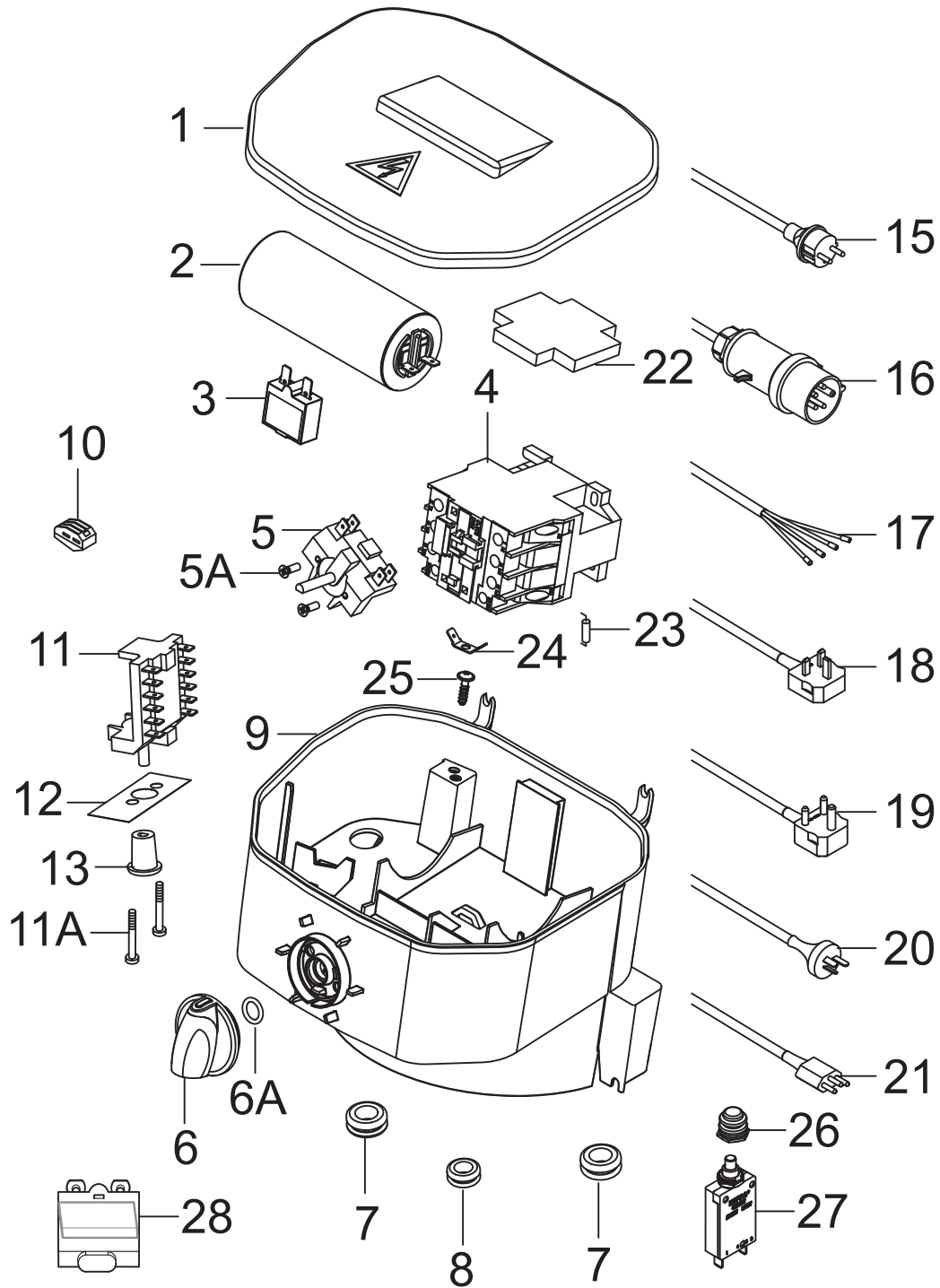
# TABLE OF CONTENTS

---

Overview .....	1
Electric box .....	3
107145803 - Hose reel MC3, MC4 .....	6
Motor MC3 .....	8
Pump with easy start and without injector .....	10
Default accessories .....	13
Recommended spare part .....	15



Pos.	Artikel-Nr.	Menge	Variante	Notes
0	107142623	1	10 PCS CARD BOX NILFISK MC 3C - MC 4M	
1	107142500	1	HANDLE MC 3-4	
2	909100425	4	1x Schraube M6X12	
3	107142536	1	HOSE REEL MC 3-4	
4	107142501	1	SCHLAUCH SUPPORT MC 3-4	
5	107142502	2	ALU PROFILE 25X35 MC 3-4	
6	107142503	1	CHASSIS MC 3-4	
7	107142504	1	HOLDER F. FOAM GUN	
8	107141635	1	Reinigungsmitteltank	
8A	107141664	1	Deckel	
9	107142505	1	Halterung Kanister	
10	107142507	1	CABLE HOOK MC 3-4	
11	107142509	1	CABLE CLAMP MC 3-4	
12	301002304	1	Achse	
13	909100426	2	2x Beilagscheibe DIN34815	
14	107142510	2	WHEEL 250x55	
15	11710	2	Klemming 15	
16	107142511	2	WHEEL CAP F. WHEEL ?250X55 NILFISK	
17	107142515	1	WHEEL CABINET RIGHT MC 3-4	
18	107142517	1	HANDLE - ALU BAR	
19	301002301	2	Stützfuß	
20	107142518	1	WHEEL CABINET LEFT MC 3-4	
21	107142520	1	CABINET E-BOX MC 3-4	
22	301000584	2	Verriegelung	
23	107142522	1	CABINET MC 3C	
24	107142525	1	FAN CAP	
25	107141838	10	SCHRAUBE K50X18 WN1451 SCHWARZ TORX 20	

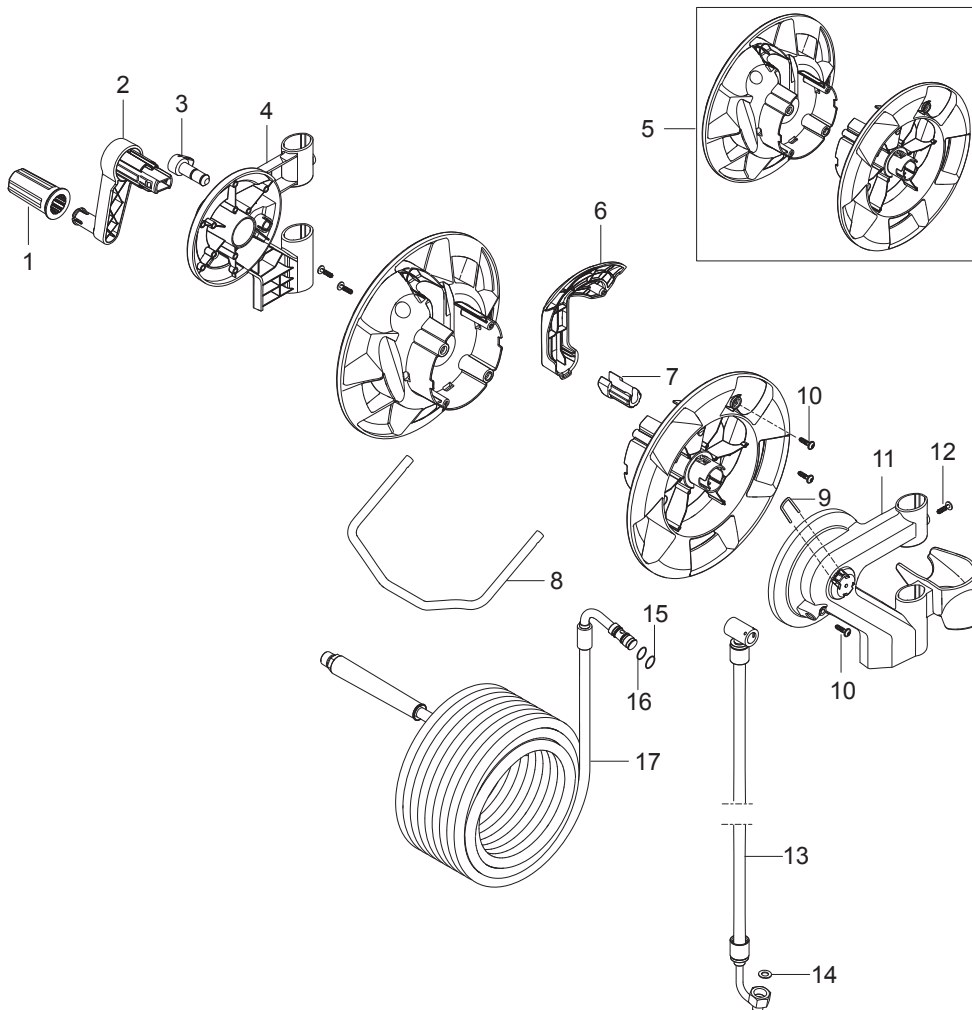


Pos.	Artikel-Nr.	Menge	Variante	Notes
1	107142547	1	E-BOX LID MC 3-4	
2	107141856	1	CAPACITOR 70UF 450V	
3	107142548	1	FUSE 16 AMPS TYPE 2-5700-IG2-P10-DD-16A	[1]
3	301002322	1	Sicherung 16 A	
4	103822300	1	Schütz CJX2-D12-V7 400V	
4	103822304	1	Schütz CJX2-D18 18A 230V 3P+NO	[2]
4	63905	1	Schütz 3x200/230 V	[3]
5	301001058	1	Schalter	
5A	18274	2	Senkschraube M4x12	
6	909100204	1	Drehknopf 6x5 blau	
6A	9868	1	O-Ring 10x2,5	
7	301002284	2	Tülle	
8	3803772	1	Tülle	
9	107142550	1	E-BOX BOTTOM MC 3-4	
10	301001229	1	Klemmleiste	
11	64579	1	Drehschalter Stern-Dreieck	
11A	3389	2	Zylinderschraube M4 x 20 ISO 1207 zn	
12	107142551	1	LABEL 230-400V CHANGE-OVER 74X28	
13	64580	1	Drehknopf	[4]
15	107142552	1	POWER CORD - H07RN-F 3G1.5X6M. CEE 7 1 P	[5]
15	107146542	1	POWER C. H07RN-F 3G1.5X6M CEE 7 1PH SPPT	[6]
16	107142553	1	POWER CORD - H07RN-F 4G1.5X6M. CEE 5 3 P	[7]
17	107142554	1	POWER CORD - H07RN-F 4G1.5X6M. Y/D 3PH	[8]
18	107146545	1	POWER C. H07RN-F 3G1.5X6M BS 1PH SPPT	[9]
18	107142555	1	POWER CORD H07RN-F 3G1.5X6M BS1363 1PH	[10]
19	107142556	1	POWER CORD H07RN-F 3G1.5X6M SABS 164 1	[11]
20	107146546	1	POWER C. H07RN-F 3G1.5X6M 1PH T.P SPPT	[12]
21	107146543	1	POWER C. H07RN-F 3G1.5X6M 1PH SPPT	[13]
22	64773	1	Hilfskontakt 100-SBL11	
23	301000074	1	Widerstand 470 ohm/3W	
24	107142559	1	FASTON TAB TERMINAL DOUBLE STUD 45°	
25	107141838	1	SCHRAUBE K50X18 WN1451 SCHWARZ TORX 20	
26	107142564	1	FUSE CAP ETA TYPE X 200 801 08 (UNITOR)	[14]
27	107142548	1	FUSE 16 AMPS TYPE 2-5700-IG2-P10-DD-16A	[14]
28	107143309	1	FUSE ETA 16A W/FOAM AND ADHESIVE	[15]
NS	107146778	1	MC 3-4 1PH REWORK KIT	[16]
NS	107146547	1	WIRE BROWN 1,5MM2 200MM SPPT	[17]
NS	107146548	1	WIRE BLUE 1,5MM2 200MM SPPT	[17]
NS	107146549	1	WIRE BLACK 1,5MM2 140 MM SPPT	[17]

## Part Notes:

- [1] - UNITOR HPC 3C - 150/660
- [2] - UK, EXPT
- [3] - 220/440/3/60 EXPT, 230/400/3/50 NO
- [4] - TSB-PPW-2016-007 Rotary knob for Voltage selector switch 230V-400V must be sealed with lacquer  
DE TSB-PPW-2016-007 Drehknopf des Spannungsauswahlschalters 230V-400V muss mit Lack versiegelt werden
- [5] - UNITOR, MC 3C-140/660 230/1/50/16 EU
- [6] - MC 4M-140/620 EU, MC 3C-140/660 EU
- [7] - MC 3C-160/770 , MC 4M-180/740, MC 4M-160/720
- [8] - MC 3C-170/820, MC 4M-180/740, MC 4M-160/720
- [9] - MC 4M-100/770 UK, MC 4M-140/620 UK, MC 3C-150/570 UK, MC 3C-140/570 UK
- [10] - MC 3C-150/570, MC 4M-100/770, MC 4M-140/620  
MC 3-4 1~ Rework
- [11] - MC 4M-160/620 (ZA)
- [12] - MC 4M-160/620 (AU)
- [13] - 220/1/60 (BR)
- [14] - UNITOR

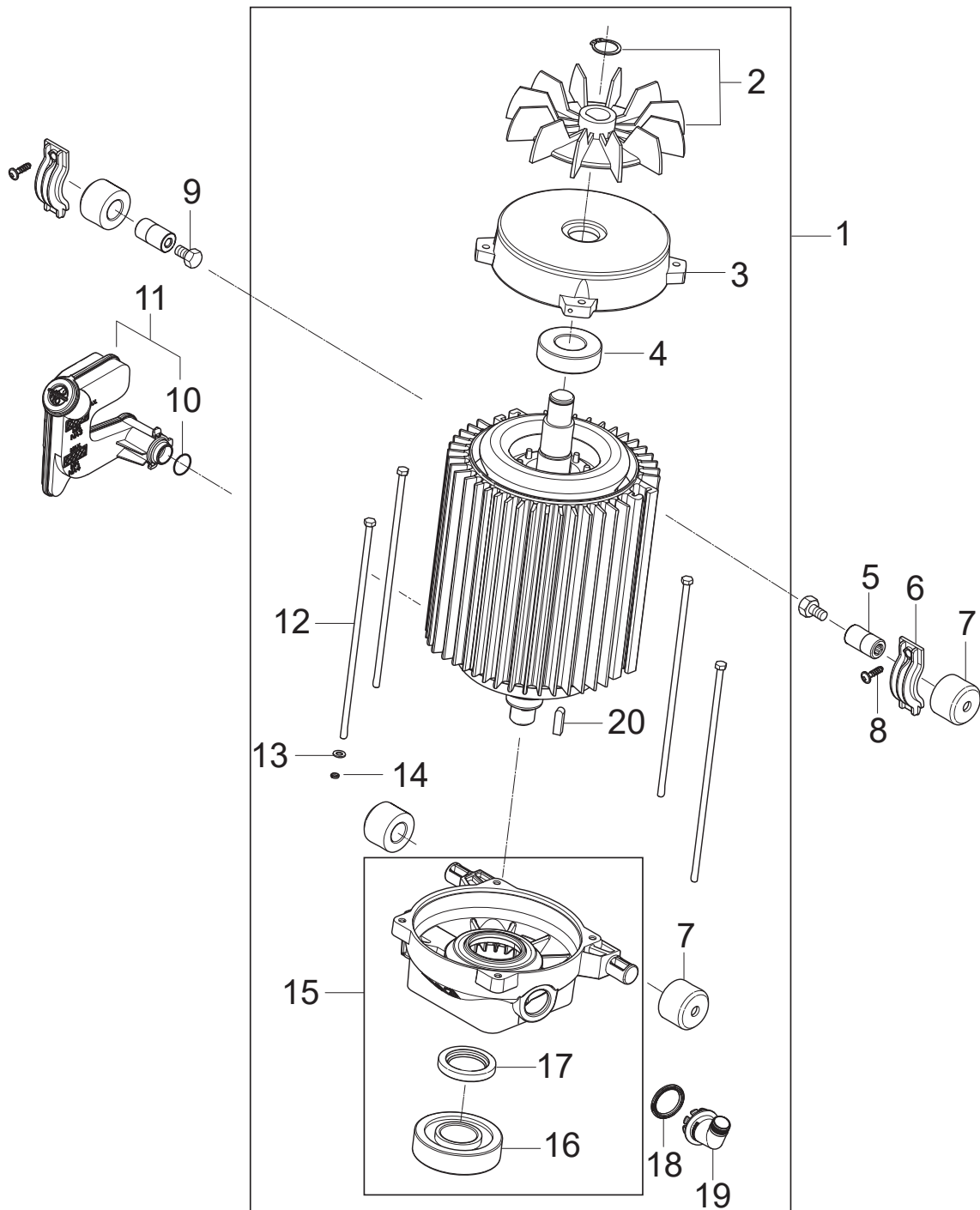
- [15] - UK, 1ph  
TSB-HPW-2021-001 MC 3 MC 4 Fuse Internal Tripping  
DE TSB-HPW-2021-001 MC 3 MC 4 - Interne Sicherung löst aus  
FR TSB-HPW-2021-001 Fusible MC3\_4
- [16] - TSB-HPW-2021-001 MC 3 MC 4 Fuse Internal Tripping  
DE TSB-HPW-2021-001 MC 3 MC 4 - Interne Sicherung löst aus  
FR TSB-HPW-2021-001 Fusible MC3\_4
- [17] - 1ph - part of rework kit



Pos.	Artikel-Nr.	Menge	Variante	Notes
			MI - 106409224 Hose guide MC 3C MC 4M	[1]
			MI - 106409225 Hose reel MC 3C MC 4M	[2]
0	107145803	1	Schlauchtrommel Set für M	
1	107142530	1	ROTATING HANDLE F. HOSE REEL	
2	107142532	1	HANDLE FOR HOSE REEL MC 3-4	
3	107142533	1	STOPPER PIN CPL. F. HOSE REEL MC 3-4	
4	107142535	1	ADAPTOR FOR HOSE REEL RIGHT MC 3-4	
5	107142536	1	HOSE REEL MC 3-4	
6	107142537	1	HOSE COVER MC 3-4	
7	107142538	1	FITTING GUIDE F. HOSE REEL MC 3-4	
8	107142539	1	HOSE GUIDE MC 3-4	
9	128500592	1	LOCK KIT	
10	107141838	5	SCHRAUBE K50X18 WN1451 SCHWARZ TORX 20	
11	107142540	1	ADAPTOR FOR HOSE REEL LEFT MC 3-4	
12	909100425	2	1x Schraube M6X12	
13	107142541	1	CONNECTION HOSE DN8 F. HOSE REEL MC 3-4	
14	65466	1	Dichtring 8,0x15,0x1,0 DI	
15	3004321	2	O-Ring 10,0 x 2,0 PUR90	
16	G200117	1	BACK-UP RING Ø10.7XØ14X1 PTFE 2 PCS	[3]
17	107142542	1	HP-HOSE DN6X15M MC 3-4	

## Part Notes:

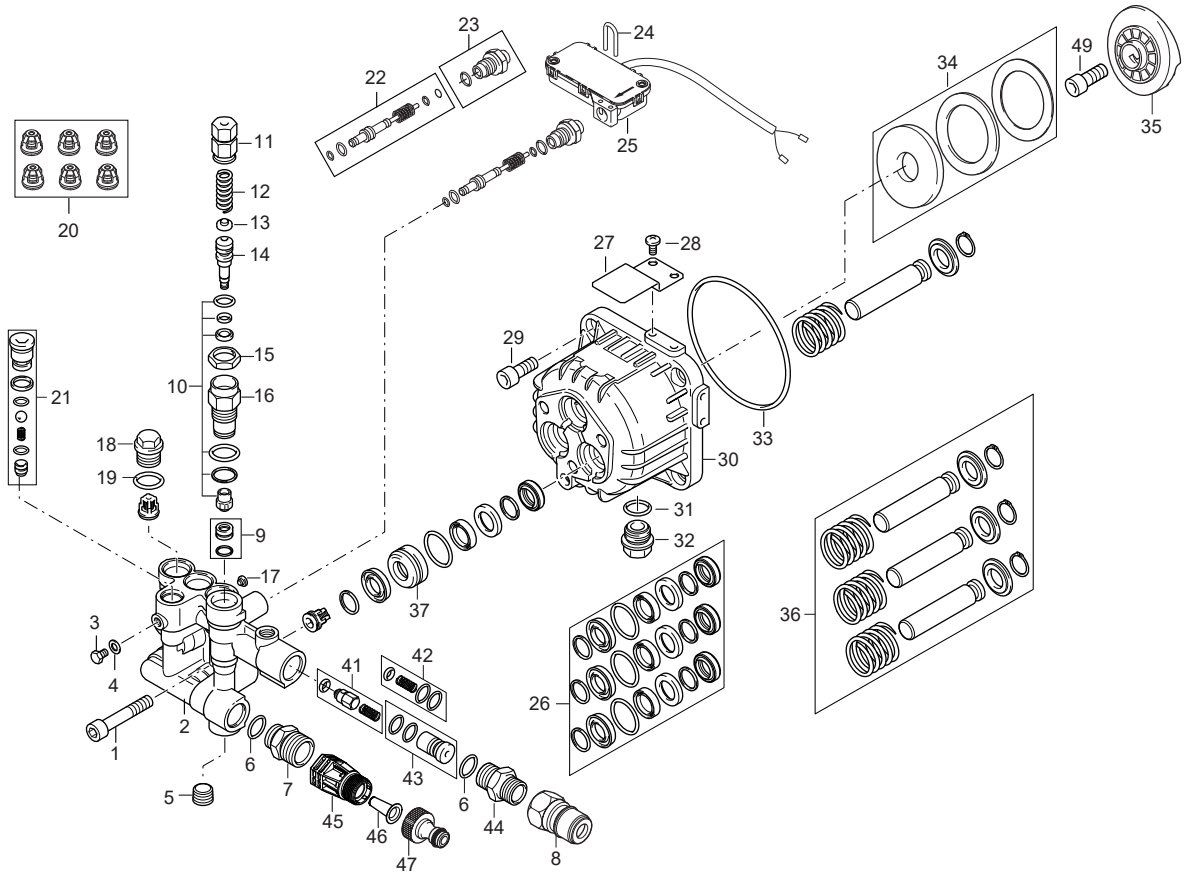
- [1] - MI - 106409224 Hose guide MC 3C MC 4M  
 [2] - MI - 106409225 Hose reel MC 3C MC 4M  
 [3] - CLOSED WHEN STOCK EMPTY



Pos.	Artikel-Nr.	Menge	Variante	Notes
0	31001082	1	OIL ROTRA MP 80W-90 1L	[1]
1	31001003	1	MOTOR NA3 - 2.5KW/230V/50HZ/1PH	[2]
1	31001004	1	MOTOR NA3 - 2.5KW/220V/60HZ/1PH	[3]
1	31001005	1	MOTOR NA3 - 3.6KW/230/400V/50HZ/3PH	[4]
2	107145038	1	FAN INCL. SEAL V-RING	
3	107145037	1	N-BEARING COVER	
4	301003080	1	Lager 6205 ZZ	
5	107142544	2	NUT M8 X D17 X L31 INT. HEX 8	
6	301002296	2	Halter	
7	107142545	4	SUSPENSION D35 X D17 X L25	
8	107141838	2	SCHRAUBE K50X18 WN1451 SCHWARZ TORX 20	
9	2753	2	Sechskantschraube M8x 20 ISO 4017 zn	
10	107142589	1	SEAL ID 16.7XOD 21.2XW 5 NBR 70 SHORE A	
11	107142546	1	OIL CONTAINER MC 3-4	[5]
12	31000923	4	STAY BOLT M5X200	
13	31000918	4	WASHER D5.5XD10 GB/T97.1 ISO7089	
14	31000919	4	LOCK RING D5.1XD7.7 GB/T93 DIN127	
15	31000926	1	D-BEARING COVER P3 INCL SEAL AND BEARING	
16	31001028	1	BEARING 7306	
17	301003078	1	Wellendichtring	
18	31000921	1	SEAL ID 23.4XOD 31 D 2/3.5	
19	31000922	1	CABLE GLAND 23.5 SNAPON 110 DEG	
20	101814798	1	Passfeder	
21	107142617	1	BRACKET OIL CONTAINER NA3-NA4 CPL.	[6]

## Part Notes:

- [1] - TSB-PPW-2016-016 MC 3C\_MC 4M\_MH 3M Pump oil no stock  
DE TSB-PPW-2016-016 MC 3C MC 4M MH 3M Pumpenöl nicht verfügbar  
0,42L - OIL TYPES\_QUANTITY for HPW\_APRIL 2017
- [2] - MPU ALTO SWEDEN 3C - 130/660 230/1/50/13 - MC 3C-140/660 230/1/50/16 - MC 3C-150/660 230/1/50/16 - MC 3C-150/660 230/1/50/16 XT EU - MC 3C-150/570 230/1/50/13 XT UK, MC 3C-140/157
- [3] - MC 3C-140/660 220/1/60/15 EXPT - UNITOR HPC 30/1 3C - 150/660 220/1/60/16
- [4] - MC 3C-160/770 400/3/50 - MC 3C-170/820 400/3/50 - MC 3C-170/820 400/3/50 XT - MC 3C-170/820 230-400/3/50 XT NO - MC 3C-170/820 220-440/3/60
- [5] - TSB-PPW-2015-007 MC 3C MC 4M, Oil Container leaking oil at O-ring seal  
DE TSB-PPW-2015-007 MC 3C und MC 4M, Öl Behälter Leckage bei dem O-Ring
- [6] - US



Pos.	Artikel-Nr.	Menge	Variante	Notes
1	31000942	1	SCREW M8x45	
2	31000943	1	PUMP HEAD	
3	301003035	1	Verschlussschraube	
4	31000944	2	WASHER	
5	31000645	1	PLUG 1/4 INCH G	
6	31000945	1	O-RING D14x2	
7	31000946	1	FITTING 1/2INCH G M - 3/8INCH G M	
8	1600493	1	Anschlussstück	
9	31000930	1	VALVE SEAT KIT	
10	31000929	1	GASKET KIT FOR UNLOADER	
11	31000947	1	SCREW	
12	31000649	1	SPRING 10.62X6.08X2.8	
13	31000630	1	SPRING PLATE	
14	31000948	1	PISTON	
15	31000949	1	NUT	
16	31000950	1	PISTON GUIDE	
17	31000951	1	PLUG	
18	31000952	1	PLUG	
19	31000953	1	O-RING D13.5x1.8	
20	31000937	1	INLET OUTLET VALVE KIT	
21	31000928	1	EASY START KIT	
22	31000986	1	PISTON KIT FOR MICROSWITCH	[1]
23	31000987	1	FITTING KIT FOR MICROSWITCH	[2]
24	301003053	1	Bügel	
25	107142680	1	SWITCHBOX ASSEMBLY	[3]
26	31000935	3	GASKET KIT	
27	31000956	1	SUPPORT	
28	31000957	1	SCHRAUBE 5x10 UNI 8110	
29	301003063	1	Schraube 5x25	
30	31000958	1	PUMP BODY	
31	31000597	1	O-RING Ø14X1.78	
32	31000959	1	STOPFEN 3/8ZOLL G KUNSTSTOFF	
33	31001001	1	O-RING Ø92X3	
34	31000936	1	BEARING KIT	
35	31000964	1	WOBBLE DISC 9.5 DEG	[4]
35	31000962	1	WOBBLE DISC 10 DEG	[5]
35	31000963	1	WOBBLE DISC 11.5 DEG	[6]
36	31000938	1	PISTON KIT D14	
37	31000968	1	PISTON GUIDE D14	
41	31000932	1	PRESSURE VALVE KIT	
42	31000941	1	KIT FOR INJECTOR	
43	31000933	2	INJECTOR ALTO	
44	31000969	1	FITTING 3/8INCH GM - 3/8INCH G M	
45	107142566	1	WASSEREINLASSSCHLAUCH	
46	101117926	1	Sieb	
47	1402809	1	Schlauchstutzen/Nippel	
49	1803337	1	Zylinderschraube M8x 25	
49	1812296	1	SCREW M8X25 STAINLESS	

Part Notes:

- [1] - TSB-PPW-2016-014 MC 3C\_MH 3M Start-Stop valve 31000986 grease specification  
DE TSB-PPW-2016-014 MC 3C MH 3M Start-Stopp Ventil 31000986 Schmierfett Spezifikation
- [2] - TSB-PPW-2016-014 MC 3C\_MH 3M Start-Stop valve 31000986 grease specification  
DE TSB-PPW-2016-014 MC 3C MH 3M Start-Stopp Ventil 31000986 Schmierfett Spezifikation
- [3] - TSB-PPW-2017-009 MC 3C\_MC 4M Single Phase - Micro switch terminals poor connection
- [4] - MC 3C 130/660 220/1/60/15 EXPT  
MC 3C-140/660 220/1/60/15 EXPT  
UNITOR HPC 30/1 3C-150/660 220/1/60/16
- [5] - MC 3C-150/570 230/1/50/13 XT UK, MC 3C-140/157

- [6] - MPU ALTO SWEDEN 3C - 130/660 230/1/50/13 - MC 3C-140/660 230/1/50/16 - MC 3C-150/660 230/1/50/16 - MC 3C-150/660 230/1/50/16 XT EU



Pos.	Artikel-Nr.	Menge	Variante	Notes
1	106403122	1	ERGO 2000 STANDARD W. HOSE SWIVEL	[1]
2	301002275	1	HD-Schlauch DN6x10m 3/8	[2]
2	107142542	1	HP-HOSE DN6X15M MC 3-4	[3]
3	107142576	1	HP-NOZZLE 1/8-27NPT MEG 25034	[4]
3	107142579	1	HP-NOZZLE 1/8-27NPT MEG 25045	[5]
3	106402282	1	FLEXOPOWER PLUS 960	[6]
3	106403011	1	TORNADO PLUS 1000 gebogen	[7]
3	106403035	1	UNIVERSAL PLUS LANCE 1090	[8]
3	101119735	1	HD-Düse 0340 TORNADO	[9]
3	101119737	1	HD-Düse 0370 TORNADO	[10]
3	101119738	1	Düse NT0400	[11]
3	101119739	1	HD-Düse 0435 TORNADO	[12]
4	106408250	1	4-IN-1 LANCE INCL 0340 ALUMINUM HEAD	[13]
4	106408261	1	4-IN-1 LANCE INCL 0370 ALU HEAD W/O LOGO	[14]
4	106408252	1	Universal Plus Strahlrohr mit 4-in-1 Düs	[15]
4	106408254	1	4-IN-1 LANCE INCL 0435 ALUMINUM HEAD	[16]
5	107145803	1	Schlauchtrommel Set für M	
	106404529	1	GARDENA COUPLING MALE 3/4	
	61369	1	Schlauchtülle ø20 R3/4" vormontiert CuZn	[17]

## Part Notes:

- [1] - ERGO 2000 Spray handle
- [2] - Without hose reel
- [3] - X-TRA (with hose reel)
- [4] - PRUNED-NO REPLACEMENT  
MC 3C-140/570 230/1/50/13
- [5] - MC 3C-160/770 400/3/50 EU
- [6] - FLEXOPOWER PLUS lance
- [7] - TORNADO PLUS lance
- [8] - UNIVERSAL PLUS lance
- [9] - MC 3C 150/570
- [10] - MC 3C 140/660, MC 3C 150/660
- [11] - MC 3C 130/660
- [12] - MC 3C 170/820
- [13] - MC 3C 150/570  
4 in1 Nozzle
- [14] - 2020 ACCESSORY PRUNING
- [15] - MC 3C 150/660  
4 in1 Nozzle
- [16] - MC 3C 170/820  
4 in1 Nozzle
- [17] - UNITOR



Pos.	Artikel-Nr.	Menge	Variante	Notes
A	31000630		SPRING PLATE	
A	31000649		SPRING 10.62X6.08X2.8	
A	31000928		EASY START KIT	
A	31000929		GASKET KIT FOR UNLOADER	
A	31000932		PRESSURE VALVE KIT	
A	31000933		INJECTOR ALTO	
A	31000935		GASKET KIT	
A	31000937		INLET OUTLET VALVE KIT	
A	31000941		KIT FOR INJECTOR	
A	31000948		PISTON	
A	106408502		O-RING SQ 51.4X45X2.6 NBR	
A	31000968		PISTON GUIDE D14	
A	106408501		COLLAR UNION NUT FOR WATER FILTER	
A	31001001		O-RING Ø92X3	
A	65466		Dichtring 8,0x15,0x1,0 DI	
A	3004321		O-Ring 10,0 x 2,0 PUR90	
A	107142541		CONNECTION HOSE DN8 F. HOSE REEL MC 3-4	
A	107142542		HP-HOSE DN6X15M MC 3-4	
A	107142548		FUSE 16 AMPS TYPE 2-5700-IG2-P10-DD-16A	
A	301002322		Sicherung 16 A	
A	301003078		Wellendichtring	
B	4029		O-Ring 18,0 X2,5 DIN	
B	31000597		O-RING Ø14X1.78	
B	31000986		PISTON KIT FOR MICROSWITCH	
B	31000987		FITTING KIT FOR MICROSWITCH	
B	107142680		SWITCHBOX ASSEMBLY	
B	31000959		STOPFEN 3/8ZOLL G KUNSTSTOFF	
B	107145038		FAN INCL. SEAL V-RING	
C	2753		Sechskantschraube M8x 20 ISO 4017 zn	
C	31000927		PLUG KIT	
C	31000936		BEARING KIT	
C	31000938		PISTON KIT D14	
C	31000960		WOBBLE DISC 12 DEG	
C	31000961		WOBBLE DISC 14 DEG	
C	31000962		WOBBLE DISC 10 DEG	
C	31000963		WOBBLE DISC 11.5 DEG	
C	31000964		WOBBLE DISC 9.5 DEG	
C	31000965		WOBBLE DISC 9 DEG	
C	107142544		NUT M8 X D17 X L31 INT. HEX 8	
C	301003080		Lager 6205 ZZ	
C	63905		Schütz 3x200/230 V	
C	103822303		Schütz CJX2-D18 18A 400V 3P+NO	
C	301001058		Schalter	
C	107141856		CAPACITOR 70UF 450V	
C	301003079		Kugellager DIN628-7305B	

